



Customer information packet

EBM3611T-S

3HP, 1760RPM, 3PH, 60HZ, 182T, 3632M, TEFC, F3

Class - None

Division - Not Applicable

Specifications

Enclosure	TEFC
Frame	182T
Frame Material	Steel
Frequency	60.00 Hz
Haz Area Class and Group	None
Haz Area Division	Not Applicable
Motor Letter Type	Three Phase
Output @ Frequency	3.000 HP @ 60 HZ
Phase	3
Synchronous Speed @ Frequency	1800 RPM @ 60 HZ
Voltage @ Frequency	230.0 V @ 60 HZ 460.0 V @ 60 HZ
Agency Approvals	CE CURUSEEV NEMA PREMIUM UKCA WEEE
Ambient Temperature	40 °C
Auxillary Box	No Auxillary Box
Auxillary Box Lead Termination	None
Base Indicator	Rigid
Bearing Grease Type	Polyrex EM (-20F +300F)
Blower	None
Current @ Voltage	8.400 A @ 230.0 V 9.000 A @ 208.0 V 4.200 A @ 460.0 V
Design Code	B
Drip Cover	No Drip Cover
Duty Rating	CONT
Efficiency @ 100% Load	89.5 %
Electrically Isolated Bearing	Not Electrically Isolated
Feedback Device	NO FEEDBACK

Part detail

Revision	P
Type	AC
Mech. spec.	36Q612
Base	
Status	PRD/A
Elec. spec.	36WGS266
Layout	36LYQ612
Eff. date	04-16-2024
CD Diagram	CD0005
Poles	04
Leads	9#16
Proprietary	False
Created date	10-30-2015

Front Face Code	Standard
Front Shaft Indicator	None
Heater Indicator	No Heater
High Voltage Full Load Amps	4.2 a
Insulation Class	F
Inverter Code	Inverter Ready
KVA Code	K
Lifting Lugs	No Lifting Lugs
Locked Bearing Indicator	Locked Bearing
Motor Lead Exit	Ko Box
Motor Lead Quantity/Wire Size	9 @ 16 AWG
Motor Lead Termination	Flying Leads
Motor Standards	NEMA
Motor Type	3632M
Mounting Arrangement	F3
Number of Poles	4
Overall Length	19.05 IN
Power Factor	75
Product Family	General Purpose
Pulley End Bearing Type	Ball
Pulley Face Code	Standard
Pulley Shaft Indicator	Standard
Rodent Screen	None
Service Factor	1.15
Shaft Diameter	1.125 IN
Shaft Extension Location	Pulley End
Shaft Ground Indicator	No Shaft Grounding
Shaft Rotation	Reversible
Shaft Slinger Indicator	No Slinger
Speed	1760 rpm
Speed Code	Single Speed
Starting Method	Direct on line
Thermal Device - Bearing	None
Thermal Device - Winding	None

Vibration Sensor Indicator	No Vibration Sensor
Winding Thermal 1	None
Winding Thermal 2	None

Nameplate

NP2934L							
CAT.NO.	EBM3611T-S						
SPEC.	36Q612S266G1						
HP	3/2.2KW						
VOLTS	230/460						
AMP	8.4/4.2 BRK 15 FT-LB						
R.P.M. (1/MIN)	1760						
FRAME	182T	HZ	60	PH	3		
SER.F.	1.15	CODE	K	DES	B	CL	F
NEMA-NOM-EFF	89.5	PF	75				
RATING	40C AMB-S1 CONT						
CC	010A						
DE	6206	ODE	6206				
ENCL	TEFC	SN					
	IE3-89.6(75%)87.8(50%)						

AC Induction Motor Performance Data

Record # 53364

Typical performance - not guaranteed values

Winding: 36WGS266-R006		Type: 3632M	Enclosure: TEFC	
Nameplate Data			460 V, 60 Hz: High Voltage Connection	
Rated Output (HP)		3	Full Load Torque	8.8 LB-FT
Volts		230/460	Start Configuration	direct on line
Full Load Amps		8.4/4.2	Breakdown Torque	37.6 LB-FT
R.P.M.		1760	Pull-up Torque	15.2 LB-FT
Hz	60 Phase	3	Locked-rotor Torque	21.7 LB-FT
NEMA Design Code	B KVA Code	K	Starting Current	32.7 A
Service Factor (S.F.)		1.15	No-load Current	2.3 A
NEMA Nom. Eff.	89.5 Power Factor	75	Line-line Res. @ 25°C	3.81 Ω
Rating - Duty		40C AMB-CONT	Temp. Rise @ Rated Load	44°C
S.F. Amps			Temp. Rise @ S.F. Load	52°C
			Locked-rotor Power Factor	42.2
			Rotor inertia	0.298 LB-FT ²

Load Characteristics 460 V, 60 Hz, 3 HP

% of Rated Load	25	50	75	100	125	150	S.F.
Power Factor	35	55	68	75	80	82	77
Efficiency	81.1	87.8	89.6	89.8	89.7	88.2	89.2
Speed	1791	1783	1773	1764	1753	1741	1754
Line amperes	2.47	2.85	3.43	4.09	4.89	5.78	4.63

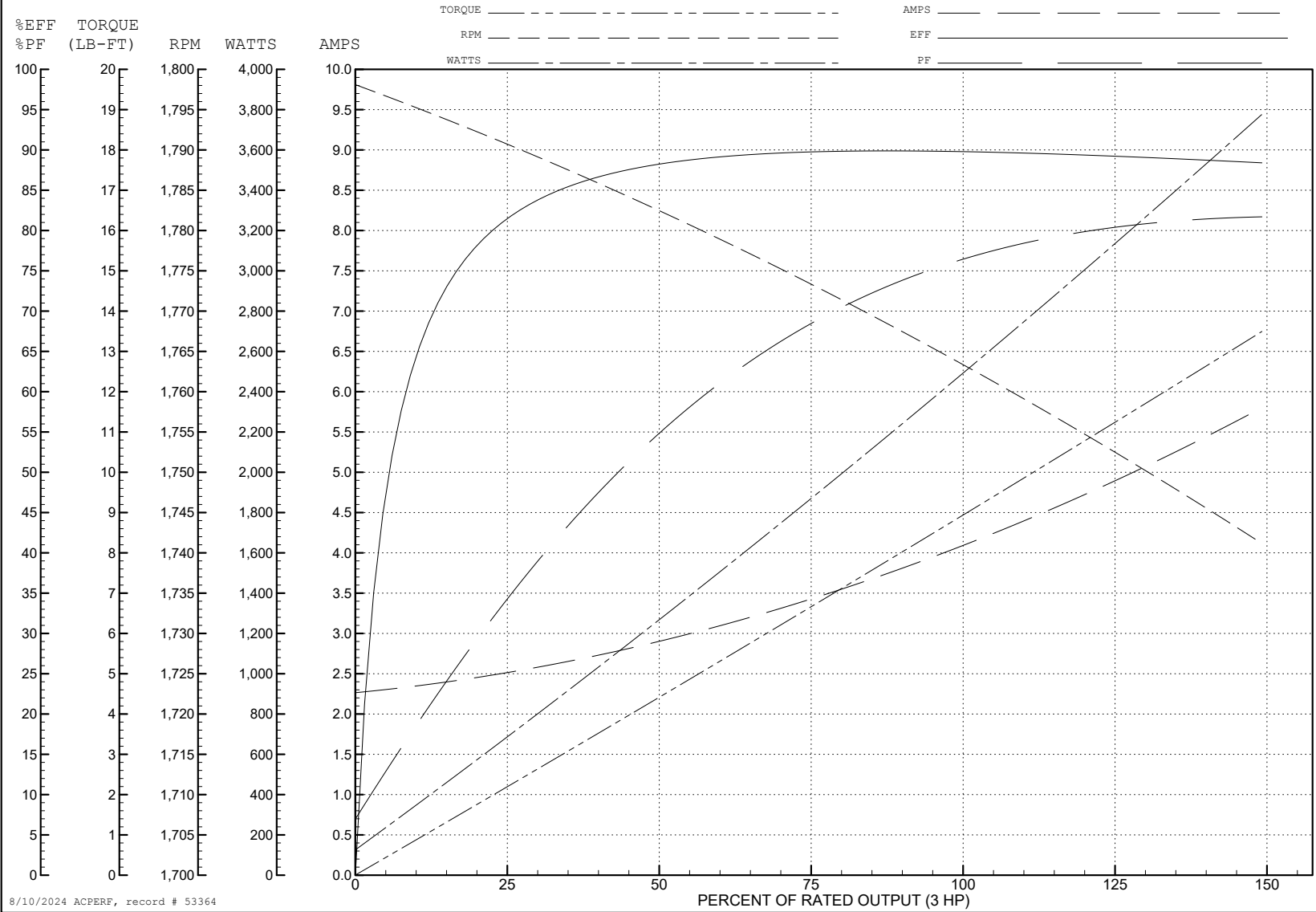
ABB Motors and Mechanical Inc.

WINDING # 36WGS266

3 HP 3 PH 60 HZ 1760 RPM 460 V 3632M

Typical performance - not guaranteed values.

TORQUES (LB-FT): PO=37.6 PU=15.2 LR=21.7 LRA=32.7



8/10/2024 ACPERF, record # 53364

AC Induction Motor Performance Data

Record # 57957

Typical performance - not guaranteed values

Winding: 36WGS266-R006		Type: 3632M		Enclosure: TEFC	
Nameplate Data			230 V, 60 Hz: Low Voltage Connection		
Rated Output (HP)		3	Full Load Torque		8.8 LB-FT
Volts		230/460	Start Configuration		direct on line
Full Load Amps		8.4/4.2	Breakdown Torque		37.6 LB-FT
R.P.M.		1760	Pull-up Torque		15.2 LB-FT
Hz	60 Phase	3	Locked-rotor Torque		21.7 LB-FT
NEMA Design Code	B KVA Code	K	Starting Current		65.4 A
Service Factor (S.F.)		1.15	No-load Current		4.6 A
NEMA Nom. Eff.	89.5 Power Factor	75	Line-line Res. @ 25°C		0.953 Ω
Rating - Duty		40C AMB-CONT	Temp. Rise @ Rated Load		44°C
S.F. Amps			Temp. Rise @ S.F. Load		52°C
			Locked-rotor Power Factor		42.2
			Rotor inertia		0.298 LB-FT ²

Load Characteristics 230 V, 60 Hz, 3 HP

% of Rated Load	25	50	75	100	125	150	S.F.
Power Factor	35	55	68	75	80	82	78
Efficiency	81.1	87.8	89.6	89.8	89.7	88.2	89.7
Speed	1791	1783	1773	1764	1753	1741	1757
Line amperes	4.94	5.7	6.86	8.18	9.78	11.6	9.14

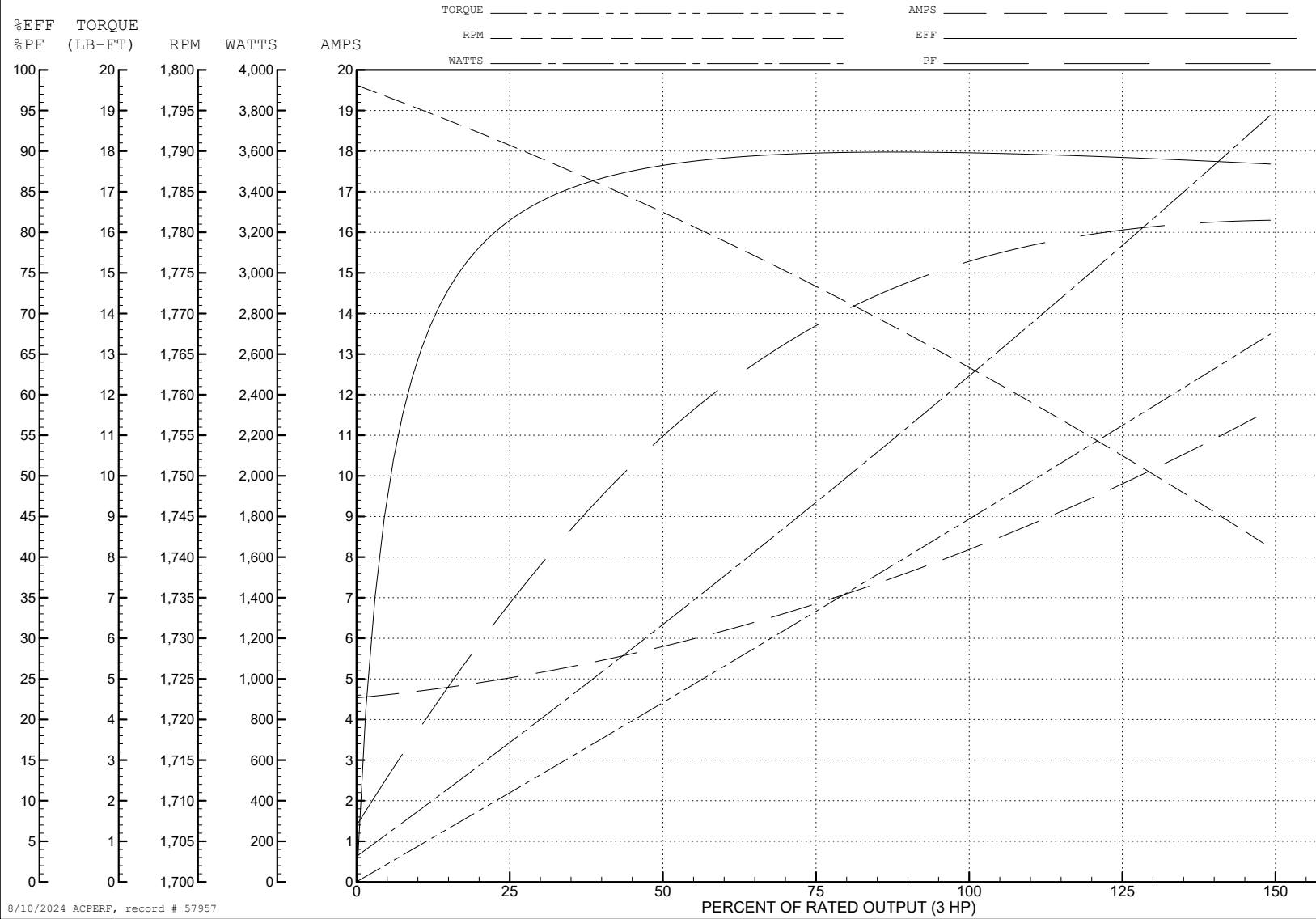
ABB Motors and Mechanical Inc.

WINDING # 36WGS266

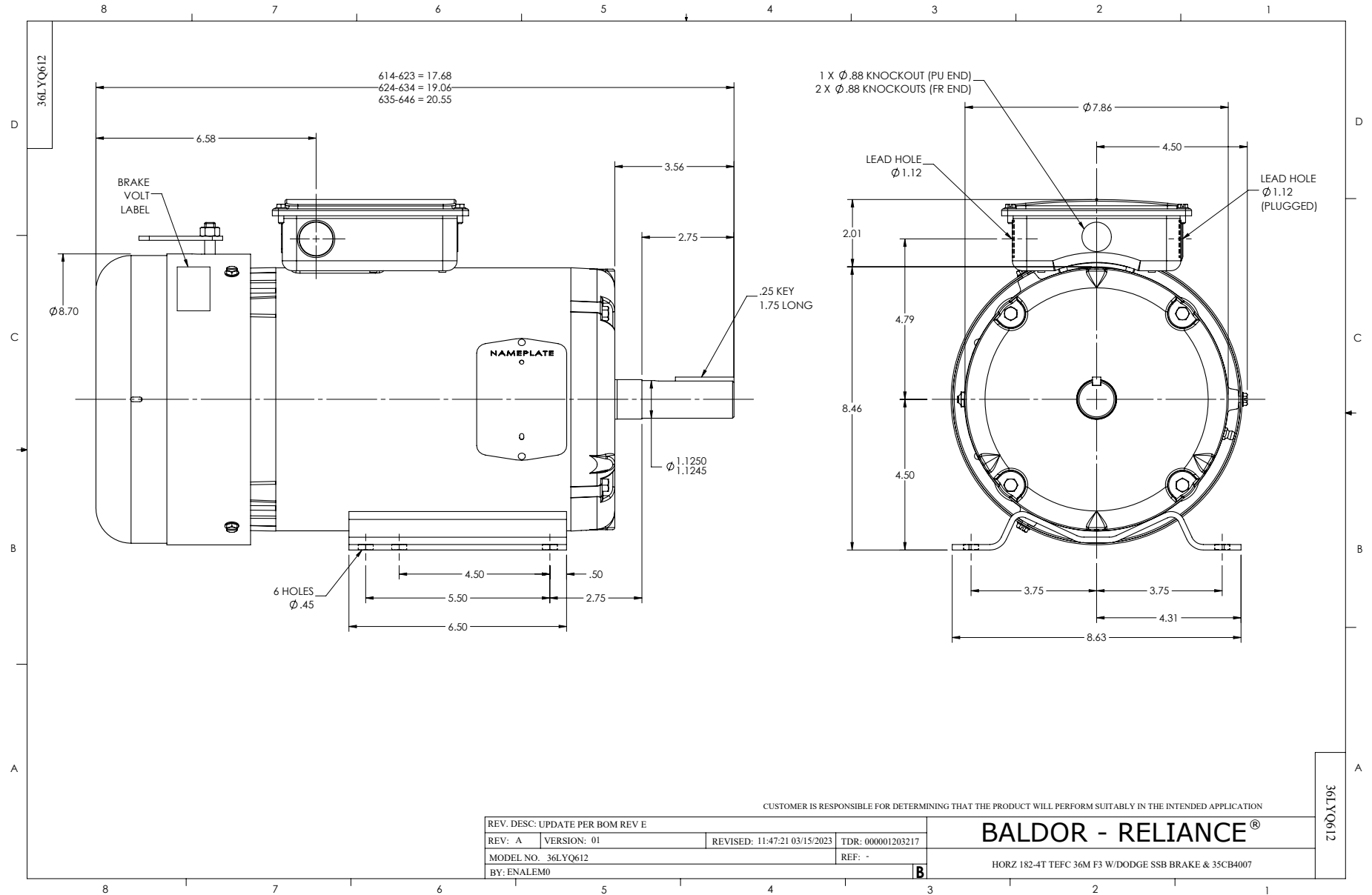
Typical performance - not guaranteed values.

3 HP 3 PH 60 HZ 1760 RPM 230 V 3632M

TORQUES (LB-FT): PO=37.6 PU=15.2 LR=21.7 LRA=65.4



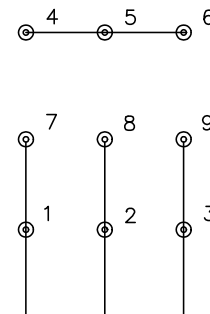
8/10/2024 ACPERF, record # 57957



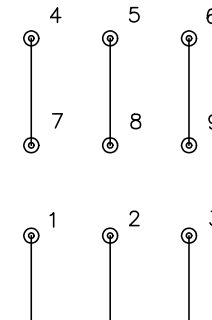
CD0005



LOW VOLTAGE
(2Y)



HIGH VOLTAGE
(1Y)



NOTES:

1. INTERCHANGE ANY TWO LINE LEADS TO REVERSE ROTATION.
2. OPTIONAL THERMOSTATS ARE PROVIDED WHEN SPECIFIED.
3. ACTUAL NUMBER OF INTERNAL PARALLEL CIRCUITS MAY BE A MULTIPLE OF THOSE SHOWN ABOVE.
4. LEAD COLORS ARE OPTIONAL. LEADS MUST ALWAYS BE NUMBERED AS SHOWN.

REV. DESC: REVISE TO SHOW OPTIONAL COLORS			
REV. LTR: E	BY: JLP	REVISED: 01/19/99 10:15	TDR: 0171435
S00000		FILE: AAA00005140	MDL: -
		MTL: -	

BALDOR ELECTRIC Co.

3PH, DV, 9 LEADS

CD0005