

BALDOR • RELIANCE

Customer information packet

EBM2513T

15HP, 1765RPM, 3PH, 60HZ, 254T, 3948M, OPEN, F1

Class - None

Division - Not Applicable

Copyright © All product information within this document is subject to ABB Motors and Mechanical Inc. copyright © protection, unless otherwise noted.

4/1/2023 3:44:45 AM

Specifications

Enclosure	OPEN
Frame	254T
Frame Material	Steel
Frequency	60.00 Hz
Motor Letter Type	Three Phase
Output @ Frequency	15.000 HP @ 60 HZ
Phase	3
Synchronous Speed @ Frequency	1800 RPM @ 60 HZ
Voltage @ Frequency	460.0 V @ 60 HZ 230.0 V @ 60 HZ
XP Class and Group	None
XP Division	Not Applicable
Agency Approvals	CSA EEV NEMA PREMIUM UR CSA
Ambient Temperature	40 °C
Auxillary Box	No Auxillary Box
Auxillary Box Lead Termination	None
Base Indicator	Rigid
Bearing Grease Type	Polyrex EM (-20F +300F)
Blower	None
Current @ Voltage	36.000 A @ 230.0 V 38.000 A @ 208.0 V 18.000 A @ 460.0 V
Design Code	A
Drip Cover	No Drip Cover
Duty Rating	CONT
Efficiency @ 100% Load	93.0 %
Electrically Isolated Bearing	Not Electrically Isolated
Feedback Device	NO FEEDBACK
Front Face Code	C-Face

Part detail

Revision	J
Type	AC
Mech. spec.	39E736
Base	
Status	PRD/A
Elec. spec.	39WGY375
Layout	39LYE736
Eff. date	02-07-2023
CD Diagram	CD0180
Poles	04
Leads	9#12
Proprietary	False
Created date	12-05-2017

Front Shaft Indicator	None
Heater Indicator	No Heater
High Voltage Full Load Amps	18.0 a
Insulation Class	F
Inverter Code	Inverter Ready
KVA Code	G
Lifting Lugs	Standard Lifting Lugs
Locked Bearing Indicator	Locked Bearing
Motor Lead Exit	Ko Box
Motor Lead Quantity/Wire Size	9 @ 10 AWG
Motor Lead Termination	Flying Leads
Motor Standards	NEMA
Motor Type	3948M
Mounting Arrangement	F1
Number of Poles	4
Overall Length	29.88 IN
Power Factor	85
Product Family	General Purpose
Pulley End Bearing Type	Ball
Pulley Face Code	Standard
Pulley Shaft Indicator	Standard
Rodent Screen	None
Service Factor	1.15
Shaft Diameter	1.625 IN
Shaft Extension Location	Pulley End
Shaft Ground Indicator	No Shaft Grounding
Shaft Rotation	Reversible
Shaft Slinger Indicator	No Slinger
Speed	1765 rpm
Speed Code	Single Speed
Starting Method	Direct on line
Thermal Device - Bearing	None
Thermal Device - Winding	None
Vibration Sensor Indicator	No Vibration Sensor

Winding Thermal 1

None

Winding Thermal 2

None

Nameplate

NP1259L									
CAT.NO.	EBM2513T								
SPEC.	39E736Y375G1								
HP	15								
VOLTS	230/460								
AMP	36.4/18.2								
RPM	1770								
FRAME	254T	HZ	60	PH	3				
SER.F.	1.15	CODE	J	DES	A	CL	F		
NEMA-NOM-EFF	93	PF	83						
RATING	40C AMB-CONT								
CC	010A	USABLE AT 208V	39						
DE	6309	ODE	6309						
ENCL	OPEN	SN							

AC Induction Motor Performance Data

Record # 93498

Typical performance - not guaranteed values

Winding: 39WGY375-R001		Type: 3948M	Enclosure: OPSB		
Nameplate Data			460 V, 60 Hz: High Voltage Connection		
Rated Output (HP)	15	Full Load Torque	44.57 LB-FT		
Volts	230/460	Start Configuration	direct on line		
Full Load Amps	36/18	Breakdown Torque	171 LB-FT		
R.P.M.	1765	Pull-up Torque	79.1 LB-FT		
Hz	60 Phase	3	Locked-rotor Torque	100 LB-FT	
NEMA Design Code	A	KVA Code	J	Starting Current	137 A
Service Factor (S.F.)	1.15		No-load Current	7.62 A	
NEMA Nom. Eff.	93	Power Factor	85	Line-line Res. @ 25°C	0.5794 Ω
Rating - Duty	40C AMB-CONT		Temp. Rise @ Rated Load	29°C	
S.F. Amps			Temp. Rise @ S.F. Load	35°C	
			Locked-rotor Power Factor	32.8	

Load Characteristics 460 V, 60 Hz, 15 HP

% of Rated Load	25	50	75	100	125	150	S.F.
Power Factor	45	68	78	83	86	87	85
Efficiency	88.6	92.6	93.3	93.1	92.5	91.7	92.7
Speed	1794.2	1788	1781.2	1773.7	1766.3	1758.2	1769
Line amperes	8.77	11.2	14.5	18.2	22.1	26.4	20.5

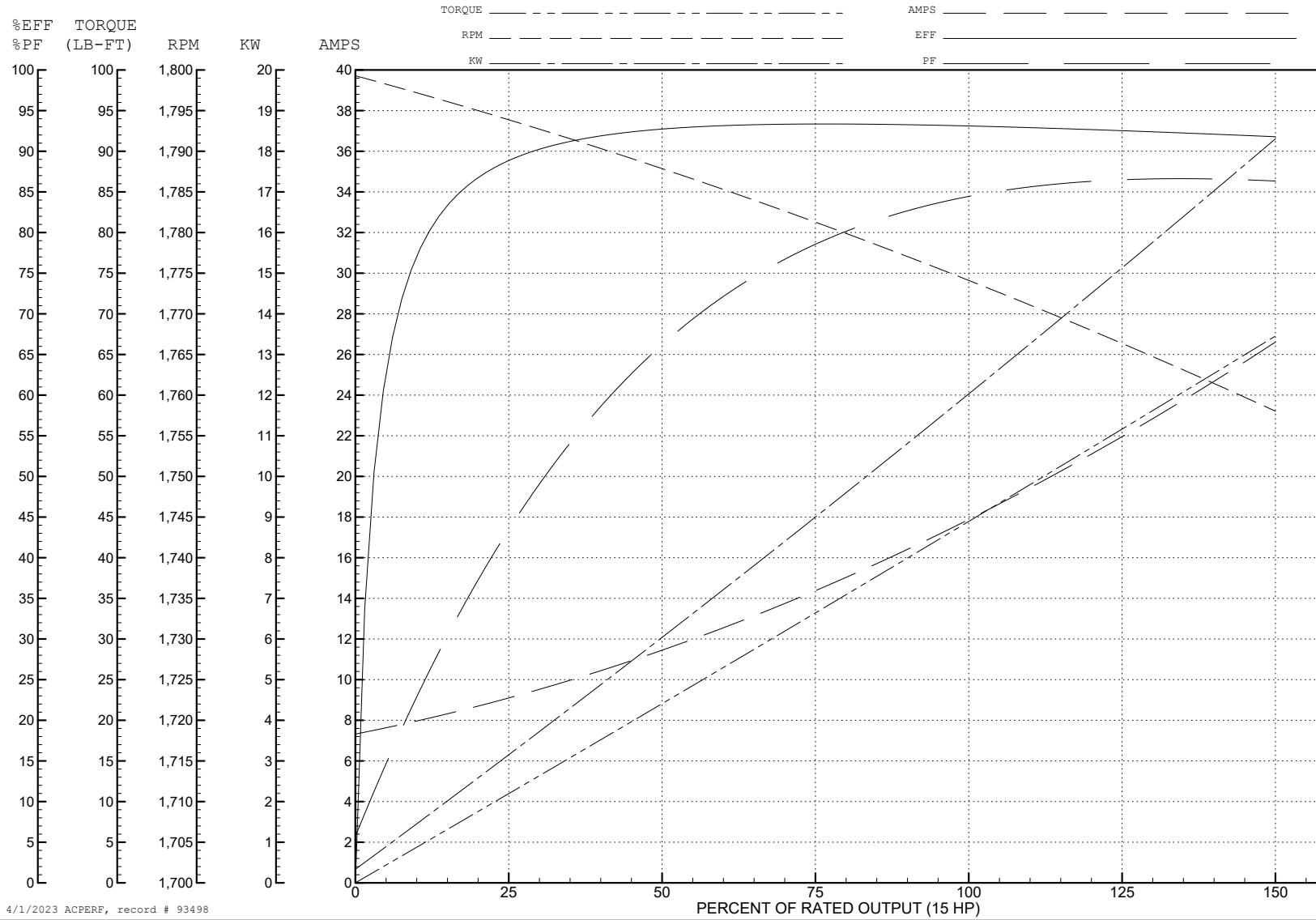
ABB Motors and Mechanical Inc.

WINDING # 39WGY375

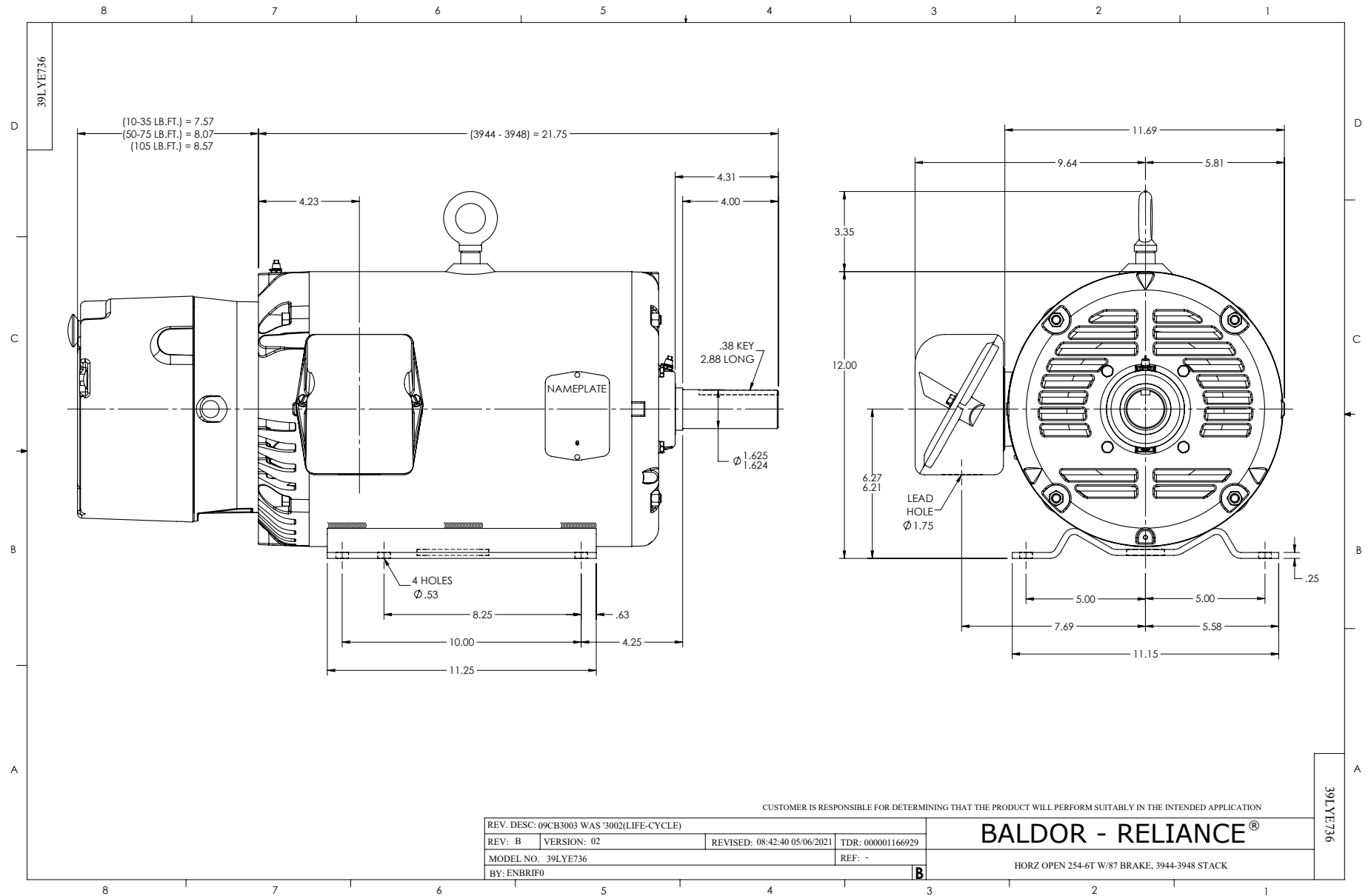
Typical performance - not guaranteed values.

15 HP 3 PH 60 HZ 1765 RPM 460 V 3948M

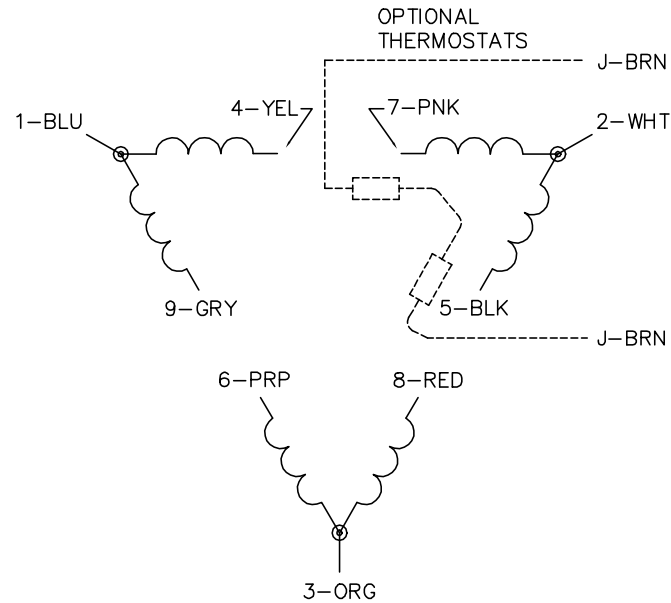
TORQUES (LB-FT): PO=171 PU=79.1 LR=100 LRA=137



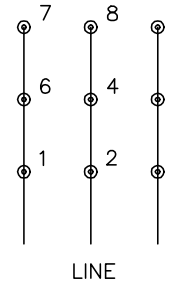
4/1/2023 ACPERF, record # 93498



CD0180



LOW VOLTAGE
(2D)



HIGH VOLTAGE
(1D)



NOTES:

1. INTERCHANGE ANY TWO LINE LEADS TO REVERSE ROTATION.
2. OPTIONAL THERMOSTATS ARE PROVIDED WHEN SPECIFIED.
3. ACTUAL NUMBER OF INTERNAL PARALLEL CIRCUITS MAY BE A MULTIPLE OF THOSE SHOWN ABOVE.
4. LEAD COLORS ARE OPTIONAL. LEADS MUST ALWAYS BE NUMBERED AS SHOWN.

CD0180

REV. DESC: ADD CLASS CONN00000007		
REV. LTR: D	VERSION: 01	TDR: 000001099922
FILE: \AAA\00005\148	REVISED: 10: 25: 29 02/19/2019	BY: ENBRIRO
MTL: -	© □	

BALDOR - RELIANCE®

3PH, DV, 9 LEADS, DELTA CONNECTION

SH 1 of 1