

ABB BALDOR RELIANCE III

Customer information packet

DRX44244T

200HP, 1785RPM, 3PH, 60HZ, 447T, TEFC, F1

Class - CLI GP C,D

Division - Division I

Specifications

Enclosure	TEFC
Frame	447T
Frame Material	Iron
Frequency	60.00 Hz
Haz Area Class and Group	CLI GP C,D
Haz Area Division	Division I
Motor Letter Type	Three Phase
Output @ Frequency	200.000 HP @ 60 HZ
Phase	3
Synchronous Speed @ Frequency	1800 RPM @ 60 HZ
Voltage @ Frequency	460.0 V @ 60 HZ
Agency Approvals	UL CSA CCSAUSEEV
Ambient Temperature	40 °C
Auxiliary Box	NO AUXILLARY BOX
Base Indicator	Rigid
Bearing Grease Type	Polyrex EM (-20F +300F)
Constant Torque Speed Range	6-60
Current @ Voltage	222.000 A @ 460.0 V
Design Code	B
Drip Cover	No Drip Cover
Duty Rating	CONT
Efficiency @ 100% Load	96.2 %
Feedback Device	NO FEEDBACK
Haz Area Temp Code	T3C
Heater Indicator	No Heater
High Voltage Full Load Amps	222.0 a
Insulation Class	F
Inverter Code	Inverter Ready
IP Rating	NONE
KVA Code	G

Part Detail

Revision	A
Type	AC
Mech. spec.	
Base	
Status	PRD/A
Elec. spec.	A44WG0690
Layout	617426-356
Eff. date	05-06-2024
CD Diagram	416820-036
Poles	04
Leads	3#1/0 (02 per group)
Proprietary	False
Created date	03-12-2019

Max Speed	3600 rpm
Motor Lead Quantity/Wire Size	6 @ 1/0 AWG
Motor Standards	NEMA
Motor Type	A44120M
Mounting Arrangement	F1
Number of Poles	4
Overall Length	48.47 IN
Power Factor	87
Product Family	General Industrial
Pulley End Bearing Type	Ball
Pulley Face Code	Standard
Service Factor	1.15
Shaft Diameter	3.375 IN
Shaft Ground Indicator	No Shaft Grounding
Shaft Rotation	Reversible
Shaft Slinger Indicator	Shaft Slinger
Speed	1785 rpm
Speed Code	Single Speed
Starting Method	Direct on line
Thermal Device - Bearing	None
Thermal Device - Winding	Normally Closed Thermostat

Nameplate

NP2496L
MOBIL POLYREX EM

000613006PC

CLASS I GROUP	C D X	NO.	
----------------------	-------	------------	--

CLASS II GROUP	X X X		
-----------------------	-------	--	--

OPERATING TEMP CODE	T3C		
----------------------------	-----	--	--

NP3140L

SPEC NO.	A44-5059-0690			CAT.NO.	DRX44244T			FRAME	447T
HP	200	VOLTS	460	PHASE	3	DESIGN	B	TYPE	P
RPM	1785	AMPS	222	HZ	60	AMB	40	SF	1.00
DRIVE END BEARING	90BC03J30X		DUTY	CONT	INSUL.CLASS		F		
OPP D.E. BEARING	90BC03J30X		ENCL	TEFC	CODE	G			
SF	1.15	WK2	68.32	MAG CUR	62.0	RPM MAX	3600		
CT HZ	6-60	VT HZ	0-60	CHP HZ	60-90	NEMA-NOM-EFF	96.2		
SUIT FOR 55C AMB AT 1.00 SF					IP55				
SER.NO.				MOTOR WEIGHT					

REL. S.O.	FRAME	HP	TYPE	PHASE/ HERTZ	RPM	VOLTS
	447TD	200	P	3/60	1785	460
AMPS	DUTY	AMB °C/ INSUL.	S.F.	NEMA DESIGN	CODE LETTER	ENCL.
222	CONT	40/F	1.15	B	G	TEFC
E/S	ROTOR	TEST S.O.	TEST DATE	STATOR RES. @25 °C OHMS (BETWEEN LINES)		
---	418143052CE	---	---	.0169		

PERFORMANCE

LOAD	HP	AMPERES	RPM	% POWER FACTOR	% EFFICIENCY
NO LOAD	0	62.0	1800	4.07	0
1/4	50.0	88.3	1796	56.3	94.3
2/4	100	126	1793	77.4	96.2
3/4	150	172	1789	84.8	96.4
4/4	200	222	1785	87.6	96.2
5/4	250	276	1781	88.4	95.8

SPEED TORQUE

	RPM	TORQUE % FULL LOAD	TORQUE LB.-FT.	AMPERES
LOCKED ROTOR	0	147	865	1428
PULL UP	540	123	726	1332
BREAKDOWN	1730	268	1579	770
FULL LOAD	1785	100	588	222

AMPERES SHOWN FOR 460. VOLT CONNECTION. IF OTHER VOLTAGE CONNECTIONS ARE AVAILABLE, THE AMPERES WILL VARY INVERSELY WITH THE RATED VOLTAGE

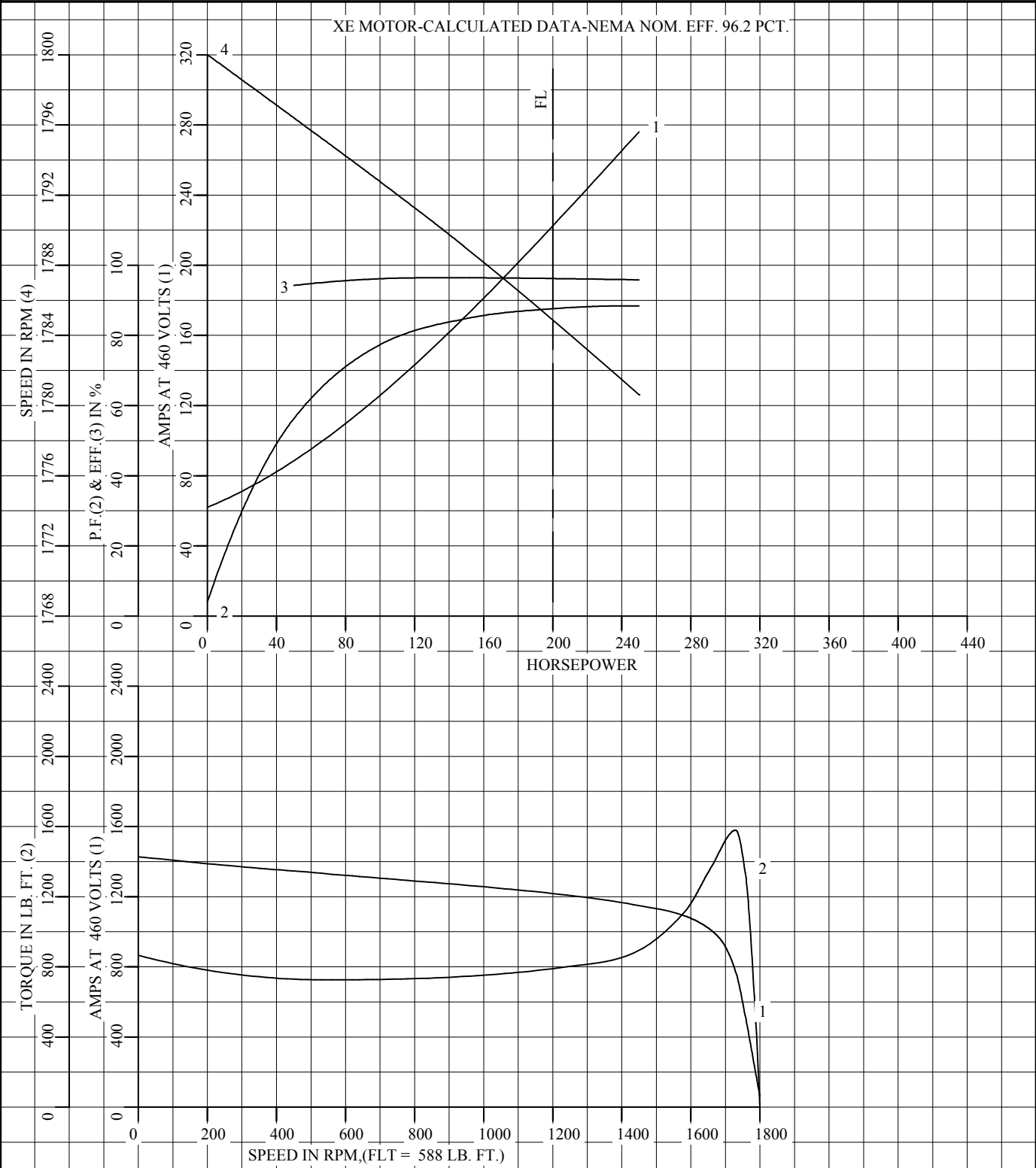
REMARKS: TYPICAL DATA
XE MOTOR-CALCULATED DATA-NEMA NOM. EFF. 96.2 PCT.



DR. BY T.G.KELATI
CK. BY E.J.CHRISTIAN
APP. BY E.J.CHRISTIAN
DATE 07/06/17

**A-C MOTOR
PERFORMANCE A44WG0690-R001
DATA** ISSUE DATE 05/03/21

REL S.O.	RPM 1785	S.F. 1.15	ROTOR 418143052CE
FRAME 447TD	VOLTS 460	NEMA DESIGN B	TEST S.O. TYPICAL DATA
HP 200	AMPS 222	CODE LETTER G	TEST DATE ---
TYPE P	DUTY CONT	ENCLOSURE TEFC	STATOR RES. @ 25 °C .0169
PHASE/HERTZ 3/60	AMB °C/INSUL 40/F	E/S ---	OHMS (BETWEEN LINES)



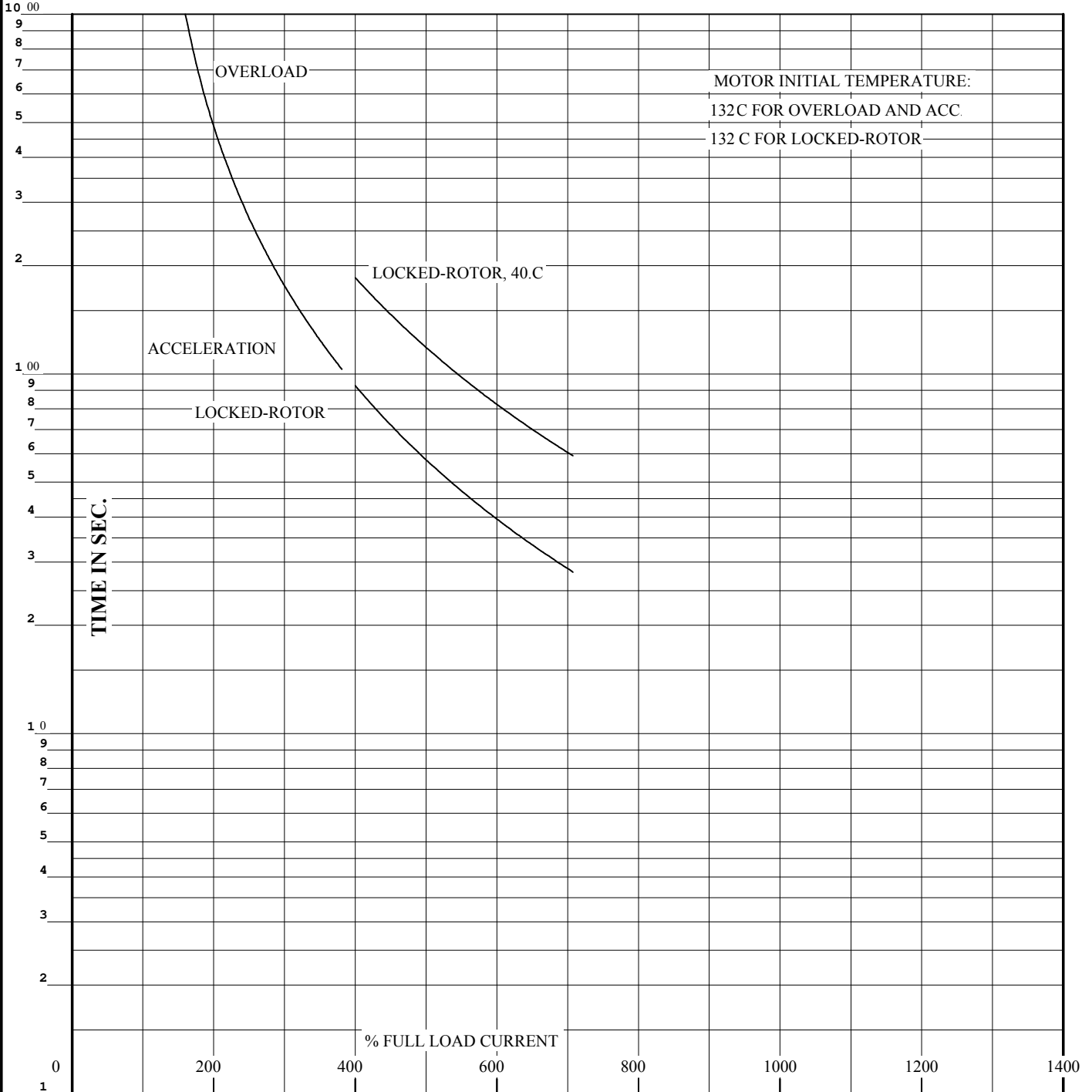
AMPERES SHOWN FOR 460 VOLT CONNECTION, IF OTHER VOLTAGE CONNECTIONS ARE AVAILABLE, THE AMPERES WILL VARY INVERSELY WITH THE RATED VOLTAGE.



DR. BY T.G.KELATI
 CK. BY E.J.CHRISTIAN
 APP. BY E.J.CHRISTIAN
 DATE 07/06/17

**A-C MOTOR
 PERFORMANCE CURVES** A44WG0690-R001
 ISSUE DATE 05/03/21

REL. S.O.	RPM 1785	S.F. 1.15	ROTOR 418143052CE
FRAME 447TD	VOLTS 460	NEMA DESIGN B	TEST S.O. TYPICAL DATA
HP 200	AMPS 222	CODE LETTER G	TEST DATE ---
TYPE P	DUTY CONT	ENCLOSURE TEFC	STATOR RES. @ 25 °C .0169
PHASE/HERTZ 3/60	AMB °C/INSUL 40/F	E/S ---	OHMS (BETWEEN LINES)



THERMAL LIMIT CURVE

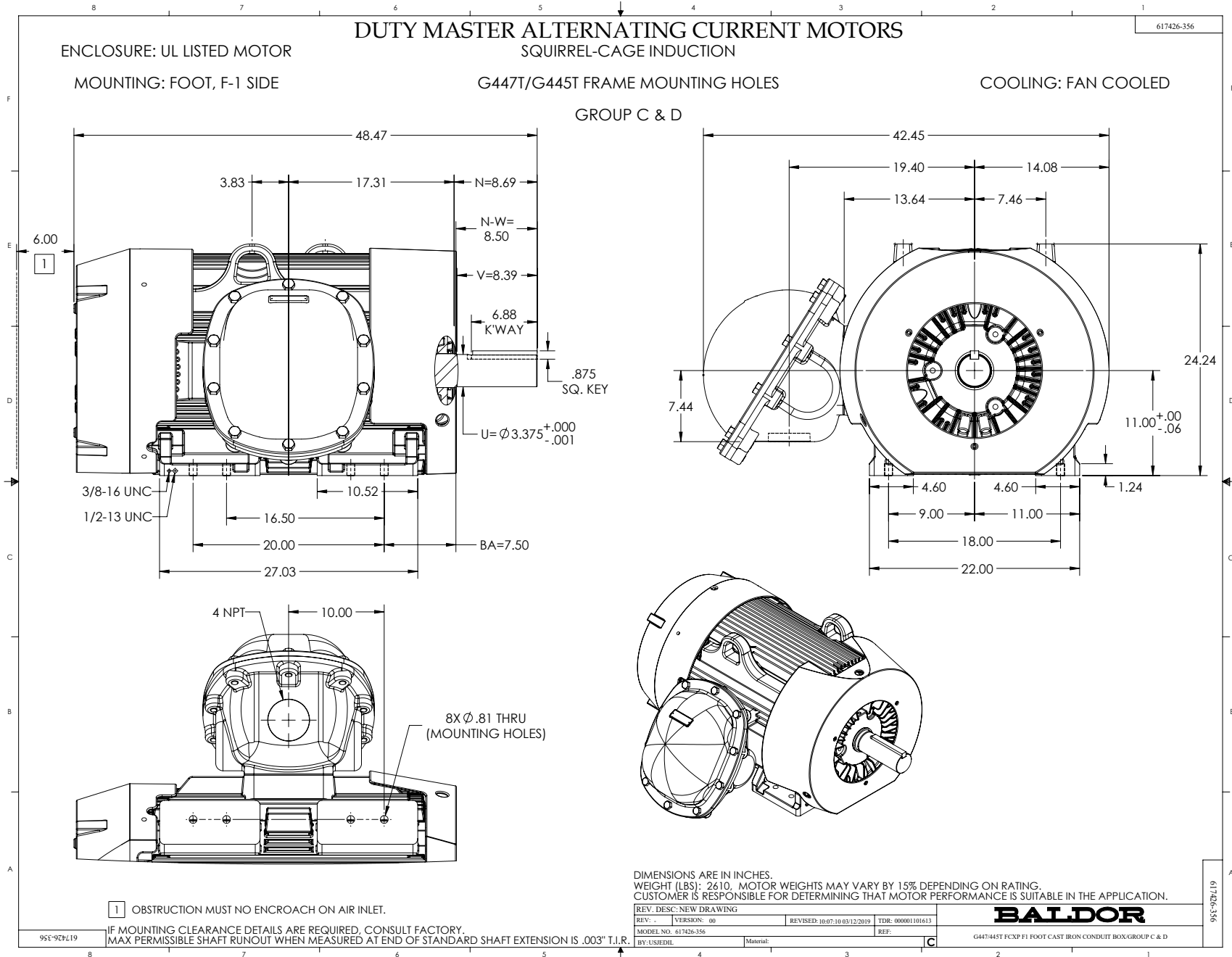
REMARKS: XE MOTOR-CALCULATED DATA-NEMA NOM. EFF. 96.2 PCT.

AMPERES SHOWN FOR 460 VOLT CONNECTION, IF OTHER VOLTAGE CONNECTIONS ARE AVAILABLE, THE AMPERES WILL VARY INVERSELY WITH THE RATED VOLTAGE.



DR. BY T.G.KELATI
 CK. BY E.J.CHRISTIAN
 APP. BY E.J.CHRISTIAN
 DATE 07/06/17

**A-C MOTOR
PERFORMANCE
CURVES** **A44WG0690-R001**
 ISSUE DATE 05/03/21 Page 9 of 12



CONNECTION DIAGRAM ACCESSORIES

MOTOR WINDING THERMOSTATS	
CONTACTS _____ @ _____ °C	
FIGURE NUMBER _____	
CONTACT RATING	
VOLTS	CONTINUOUS AMPERES
110-120	3.0
220-240	1.5
440-480	0.75
550-600	0.60
	INRUSH AMPERES
	30
	15
	7.5
	6.0

NORMALLY CLOSED	THERMOSTATS	NORMALLY OPEN
FIGURE 1 		FIGURE 4
FIGURE 2 		FIGURE 5
FIGURE 3 		FIGURE 6
FIGURE 7 		FIGURE 8

CUSTOMER _____ CUSTOMER ORDER NO. _____ S.O. NO. _____

418174-006

418174-006

REV. DESC: LOADED TO BUS		
REV. LTR: A	VERSION: 01	TDR: 000000570390
FILE: \RAG\00013\849	REVISED: 10:16:21 12/07/2010	BY: RAGDRF
MTL: -		

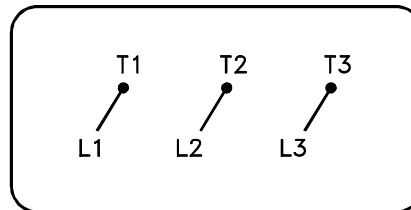
BALDOR

A-C MOTOR CONNECTION ACCESSORIES

SH 1 of 1

416820-036

**A-C MOTOR
CONNECTION DIAGRAM
STANDARD 3 LEAD CONNECTED**



(N.P. 1575-BA)

416820-036

REV. DESC: LOADED TO BUS, C/R 335225		
REV. LTR: -	VERSION: 00	TDR: 000000538207
FILE: \MGA\00000\682	REVISED: 11: 54: 06 04/30/2010	
MTL: -	BY: RAGRA	

BALDOR

CONN DIAG - STANDARD 3 LEAD
SH 1 of 1