

ABB BALDOR RELIANCE III

Customer information packet

DRX44164T

100HP, 1188RPM, 3PH, 60HZ, 444T, TEFC, F1

Class - CLI GP C,D

Division - Division I

Specifications

Enclosure	TEFC
Frame	444T
Frame Material	Iron
Frequency	60.00 Hz
Haz Area Class and Group	CLI GP C,D
Haz Area Division	Division I
Motor Letter Type	Three Phase
Output @ Frequency	100.000 HP @ 60 HZ
Phase	3
Synchronous Speed @ Frequency	1200 RPM @ 60 HZ
Voltage @ Frequency	230.0 V @ 60 HZ 460.0 V @ 60 HZ
Agency Approvals	UL CSA CCSAUSEEV
Ambient Temperature	40 °C
Auxiliary Box	NO AUXILLARY BOX
Base Indicator	Rigid
Bearing Grease Type	Polyrex EM (-20F +300F)
Constant Torque Speed Range	6-60
Current @ Voltage	116.000 A @ 460.0 V 232.000 A @ 230.0 V
Design Code	B
Drip Cover	No Drip Cover
Duty Rating	CONT
Efficiency @ 100% Load	95.0 %
Feedback Device	NO FEEDBACK
Haz Area Temp Code	T3C
Heater Indicator	No Heater
High Voltage Full Load Amps	116.0 a
Insulation Class	F
Inverter Code	Inverter Ready

Part Detail

Revision	A
Type	AC
Mech. spec.	
Base	
Status	PRD/A
Elec. spec.	A44WG2115
Layout	617426-001
Eff. date	05-06-2024
CD Diagram	416820-002
Poles	06
Leads	3#2,6#4
Proprietary	False
Created date	03-11-2019

IP Rating	NONE
KVA Code	G
Max Speed	2700 rpm
Motor Lead Quantity/Wire Size	3 @ 2 AWG
Motor Standards	NEMA
Motor Type	A44062M
Mounting Arrangement	F1
Number of Poles	6
Overall Length	44.97 IN
Power Factor	85
Product Family	General Industrial
Pulley End Bearing Type	Ball
Pulley Face Code	Standard
Service Factor	1.15
Shaft Diameter	3.375 IN
Shaft Ground Indicator	No Shaft Grounding
Shaft Rotation	Reversible
Shaft Slinger Indicator	No Slinger
Speed	1188 rpm
Speed Code	Single Speed
Starting Method	Direct on line
Thermal Device - Bearing	None
Thermal Device - Winding	Normally Closed Thermostat

Nameplate

NP2496L
MOBIL POLYREX EM

000613006PC

CLASS I GROUP	C D X	NO.	
CLASS II GROUP	X X X		
OPERATING TEMP CODE	T3C		

NP3140L

SPEC NO.	A44-8612-2115			CAT.NO.	DRX44164T				FRAME	444T
HP	100	VOLTS	230/460	PHASE	3	DESIGN	B	TYPE	P	
RPM	1188	AMPS	232/116	HZ	60	AMB	40	SF	1.00	
DRIVE END BEARING	90BC03J30X		DUTY	CONT	INSUL.CLASS		F			
OPP D.E. BEARING	90BC03J30X		ENCL	TEFC	CODE	G				
SF	1.15	WK2	49.8	MAG CUR	34.9	RPM MAX	2700			
CT HZ	6-60	VT HZ	0-60	CHP HZ	60-90	NEMA-NOM-EFF	95			
SUIT FOR 55C AMB AT 1.00 SF					IP55					
SER.NO.				MOTOR WEIGHT						

REL. S.O.	FRAME	HP	TYPE	PHASE/ HERTZ	RPM	VOLTS
	444T	100	P	3/60	1188	230/460
AMPS	DUTY	AMB °C/ INSUL.	S.F.	NEMA DESIGN	CODE LETTER	ENCL.
232/116	CONT	40/F	1.15	B	G	TEFC
E/S	ROTOR	TEST S.O.	TEST DATE	STATOR RES. @25 °C OHMS (BETWEEN LINES)		
497223	418143080FE	---	---	.0139/.0557		

PERFORMANCE

LOAD	HP	AMPERES	RPM	% POWER FACTOR	% EFFICIENCY
NO LOAD	0	34.9	1200	5.84	0
1/4	25.0	45.1	1197	56.9	91.4
2/4	50.0	64.6	1194	76.7	94.5
3/4	75.0	89.0	1191	83.0	95.1
4/4	100	116	1188	85.0	95.0
5/4	125	144	1185	86.0	94.6

SPEED TORQUE

	RPM	TORQUE % FULL LOAD	TORQUE LB.-FT.	AMPERES
LOCKED ROTOR	0	160	705	725
PULL UP	240	140	620	700
BREAKDOWN	1138	250	1106	390
FULL LOAD	1188	100	442	116

AMPERES SHOWN FOR 460. VOLT CONNECTION. IF OTHER VOLTAGE CONNECTIONS ARE AVAILABLE, THE AMPERES WILL VARY INVERSELY WITH THE RATED VOLTAGE

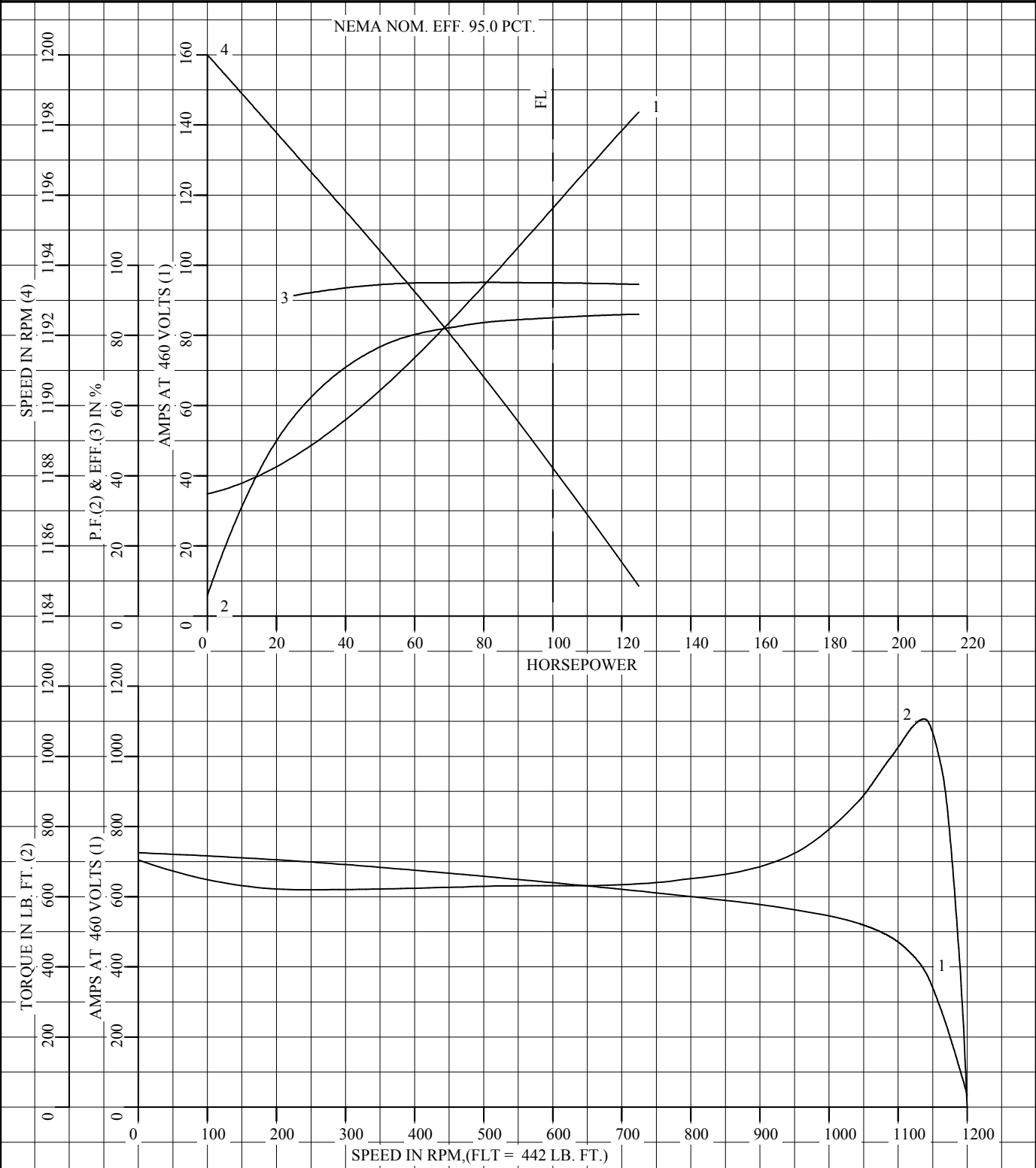
REMARKS: TYPICAL DATA
NEMA NOM. EFF. 95.0 PCT.



DR. BY W. L. SMITH
CK. BY C. E. JAMISON
APP. BY E. J. CHRISTIAN
DATE 10/08/18

**A-C MOTOR
PERFORMANCE A44WG2115-R007
DATA** ISSUE DATE 03/11/19

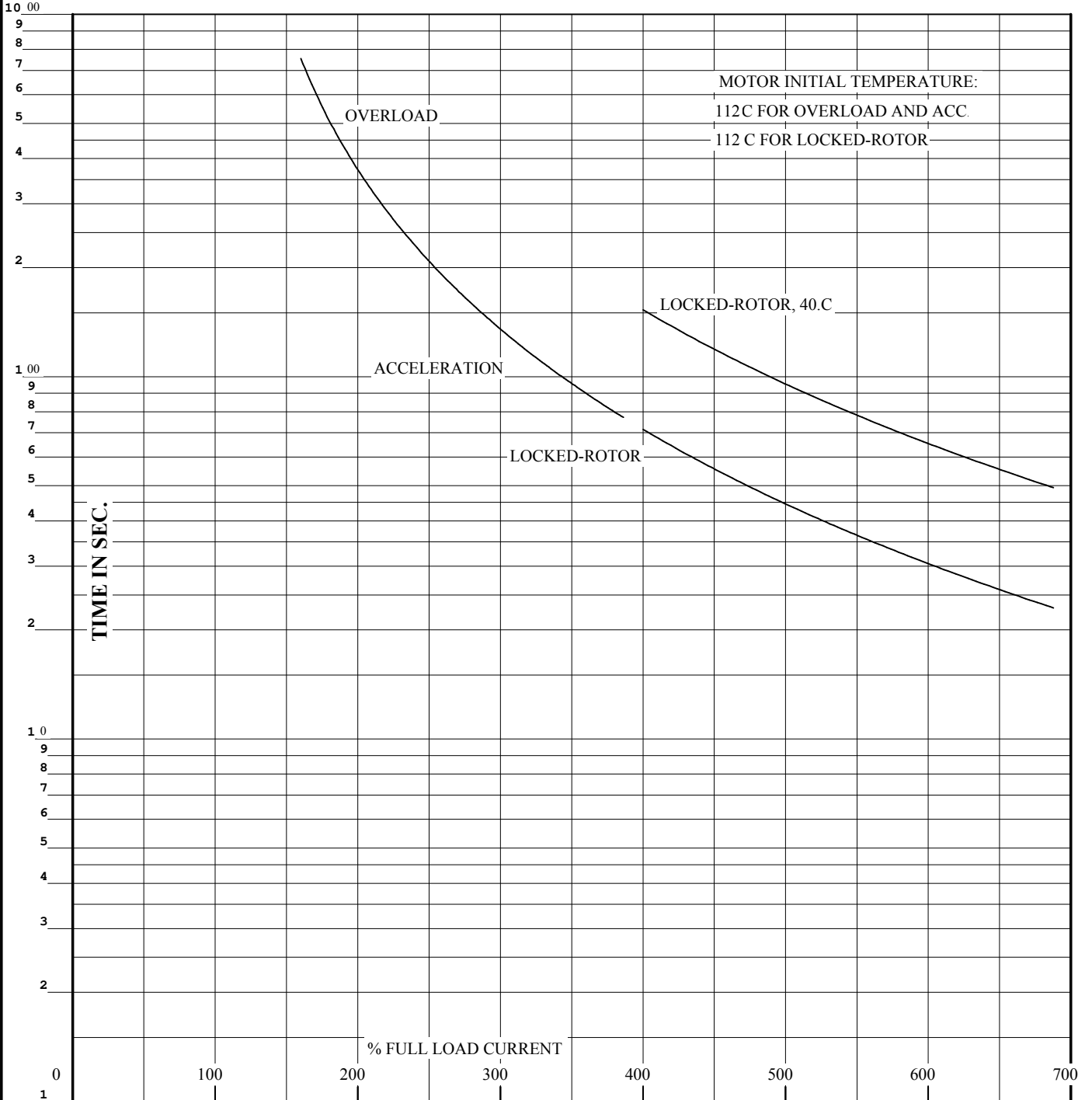
REL S.O.	RPM 1188	S.F. 1.15	ROTOR 418143080FE
FRAME 444T	VOLTS 230/460	NEMA DESIGN B	TEST S.O. TYPICAL DATA
HP 100	AMPS 232/116	CODE LETTER G	TEST DATE ---
TYPE P	DUTY CONT	ENCLOSURE TEFC	STATOR RES. @ 25 °C .0139/.0557
PHASE/HERTZ 3/60	AMB °C/INSUL 40/F	E/S 497223	OHMS (BETWEEN LINES)



DR. BY W. L. SMITH
 CK. BY C.E.JAMISON
 APP. BY E.J.CHRISTIAN
 DATE 10/08/18

**A-C MOTOR
 PERFORMANCE CURVES** A44WG2115-R007
 ISSUE DATE 03/11/19

REL. S.O.	RPM 1188	S.F. 1.15	ROTOR 418143080FE
FRAME 444T	VOLTS 230/460	NEMA DESIGN B	TEST S.O. TYPICAL DATA
HP 100	AMPS 232/116	CODE LETTER G	TEST DATE ---
TYPE P	DUTY CONT	ENCLOSURE TEFC	STATOR RES. @ 25 °C .0139/.0557
PHASE/HERTZ 3/60	AMB °C/INSUL 40/F	E/S 497223	OHMS (BETWEEN LINES)



THERMAL LIMIT CURVE

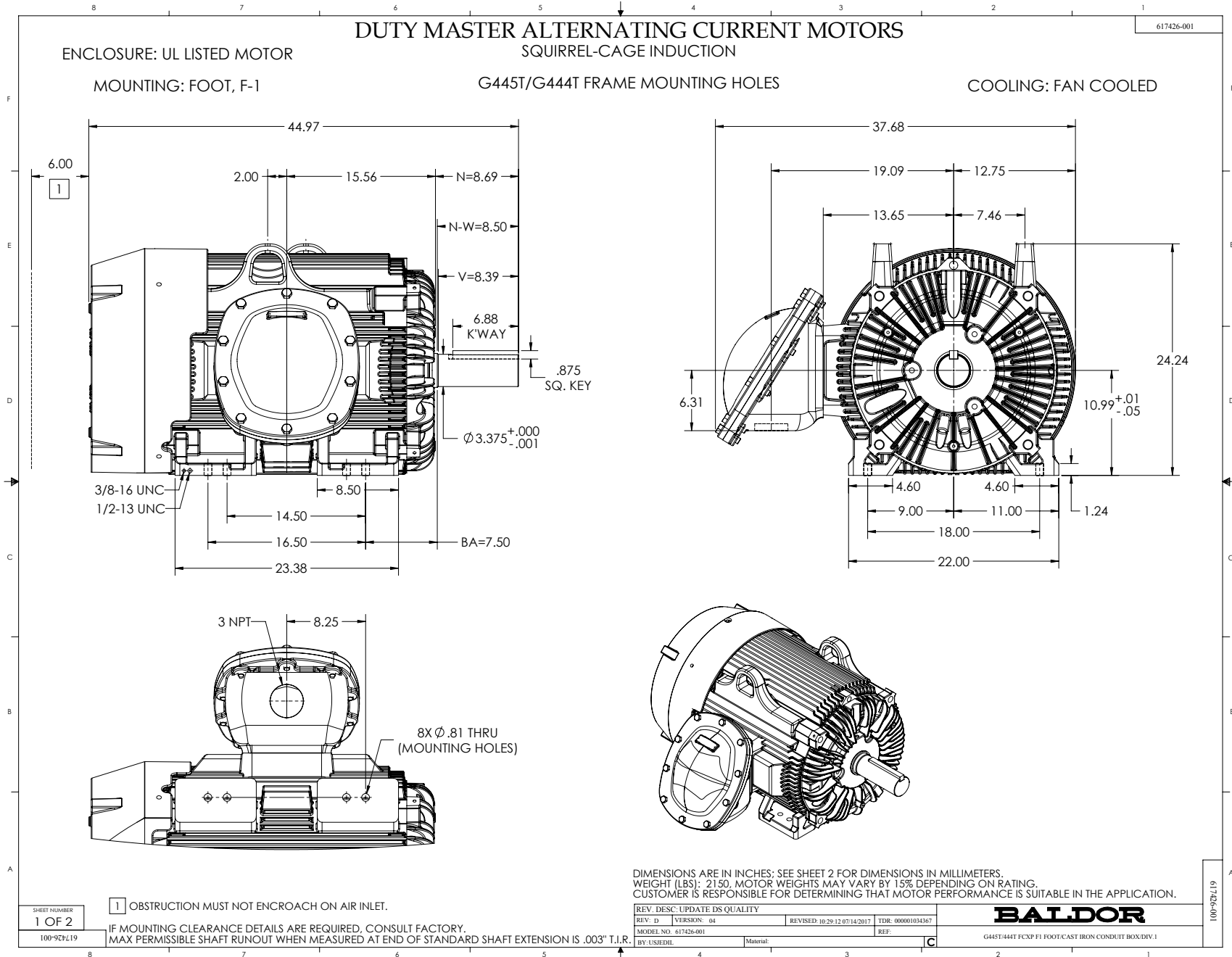
REMARKS: NEMA NOM. EFF. 95.0 PCT.

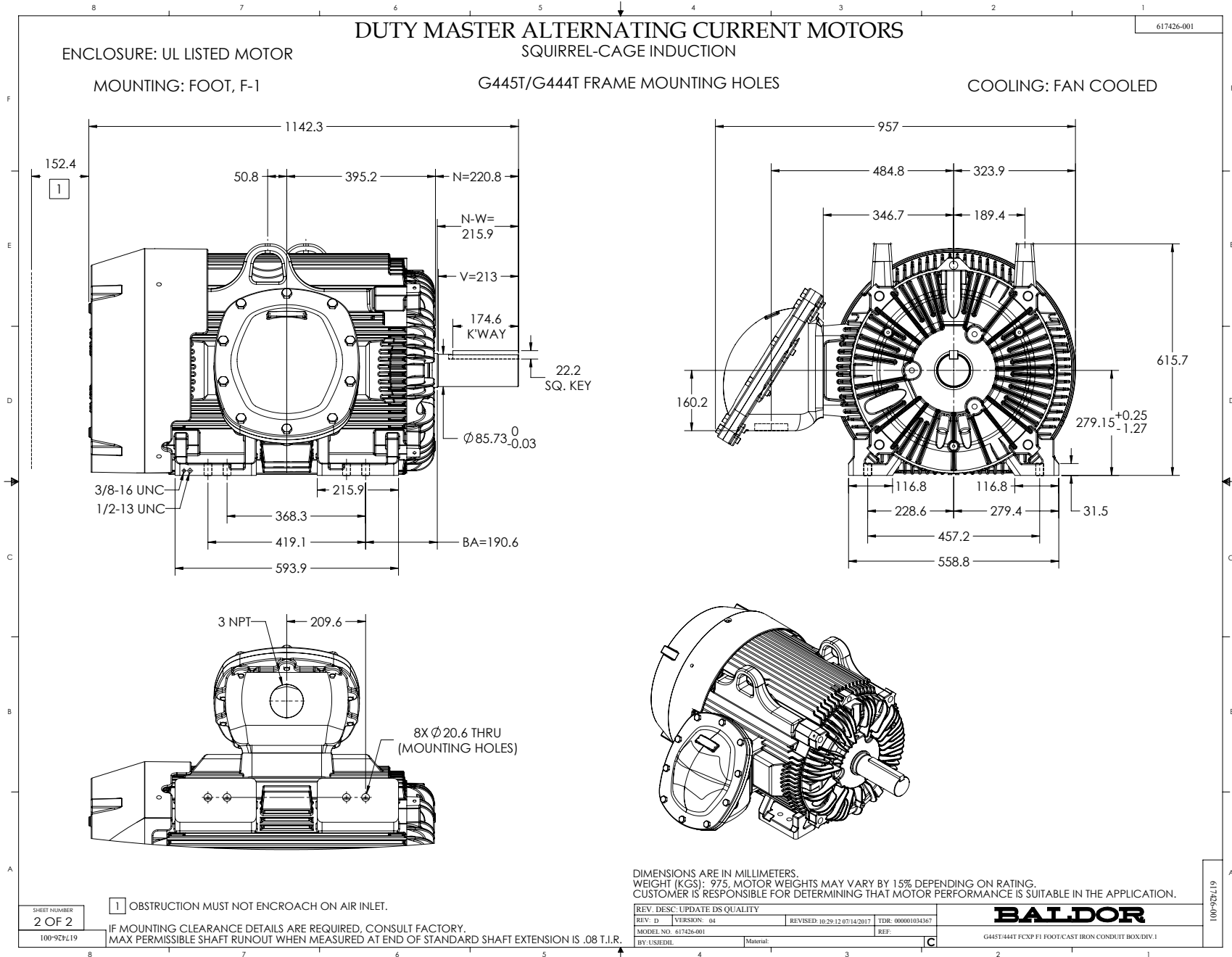
AMPERES SHOWN FOR 460 VOLT CONNECTION, IF OTHER VOLTAGE CONNECTIONS ARE AVAILABLE, THE AMPERES WILL VARY INVERSELY WITH THE RATED VOLTAGE.



DR. BY	W. L. SMITH
CK. BY	C.E.JAMISON
APP. BY	E.J.CHRISTIAN
DATE	10/08/18

**A-C MOTOR
PERFORMANCE CURVES** **A44WG2115-R007**
ISSUE DATE 03/11/19 Page 9 of 13





CONNECTION DIAGRAM ACCESSORIES

MOTOR WINDING THERMOSTATS	
CONTACTS _____ @ _____ °C	
FIGURE NUMBER _____	
CONTACT RATING	
VOLTS	CONTINUOUS AMPERES
110-120	3.0
220-240	1.5
440-480	0.75
550-600	0.60
	INRUSH AMPERES
	30
	15
	7.5
	6.0

NORMALLY CLOSED	THERMOSTATS	NORMALLY OPEN
 FIGURE 1		 FIGURE 4
 FIGURE 2		 FIGURE 5
 FIGURE 3		 FIGURE 6
 FIGURE 7		 FIGURE 8

CUSTOMER _____ CUSTOMER ORDER NO. _____ S.O. NO. _____

418174-006

418174-006

REV. DESC: LOADED TO BUS		
REV. LTR: A	VERSION: 01	TDR: 000000570390
FILE: \RAG\00013\849	REVISED: 10:16:21 12/07/2010	BY: RAGDRF
MTL: -		

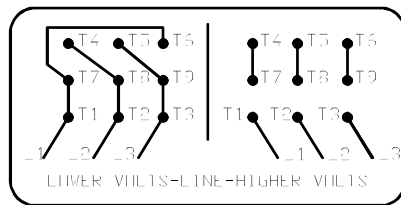
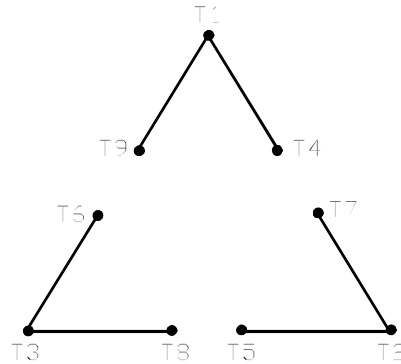
BALDOR

A-C MOTOR CONNECTION ACCESSORIES

SH 1 of 1

416820-002

A-C MOTOR
CONNECTION DIAGRAM
STANDARD 9 LEAD DELTA-CONNECTED



(N.P. 1575-B)

416820-002

REV. DESC: FONT CHANGE FOR PDF SEARCHABLE		
REV. LTR: A	VERSION: 01	TDR: 000001009382
FILE: \MGA\00000\661	REVISED: 02:46:19 02/13/2020	BY: MGHMTT
MTL: -	© □	

BALDOR - RELIANCE®

CONN DIAG - STANDARD 9 LEAD, DELTA-CONNECTED

SH 1 of 1