

ABB BALDOR RELIANCE III

Customer information packet

DRX36744T-5

75HP, 1780RPM, 3PH, 60HZ, 365T, TEFC, F1

Class - CLI GP C,D

Division - Division I

Specifications

Enclosure	TEFC
Frame	365T
Frame Material	Iron
Frequency	60.00 Hz
Haz Area Class and Group	CLI GP C,D
Haz Area Division	Division I
Motor Letter Type	Three Phase
Output @ Frequency	75.000 HP @ 60 HZ
Phase	3
Synchronous Speed @ Frequency	1800 RPM @ 60 HZ
Voltage @ Frequency	575.0 V @ 60 HZ
Agency Approvals	CCSAUSEEV CSA UL
Ambient Temperature	40 °C
Auxiliary Box	NO AUXILLARY BOX
Base Indicator	Rigid
Bearing Grease Type	Polyrex EM (-20F +300F)
Constant Torque Speed Range	10-60
Current @ Voltage	68.500 A @ 575.0 V
Design Code	B
Drip Cover	No Drip Cover
Duty Rating	CONT
Efficiency @ 100% Load	95.4 %
Feedback Device	NO FEEDBACK
Haz Area Temp Code	T3C
Heater Indicator	No Heater
High Voltage Full Load Amps	68.5 a
Insulation Class	F
Inverter Code	Inverter Ready
IP Rating	NONE
KVA Code	G

Part Detail

Revision	A
Type	AC
Mech. spec.	
Base	
Status	PRD/A
Elec. spec.	A36WG4078
Layout	611742-772
Eff. date	02-13-2025
CD Diagram	416820-036
Poles	04
Leads	3#4
Proprietary	False
Created date	07-16-2019

Lifting Lugs	Standard Lifting Lugs
Max Speed	3600 rpm
Motor Lead Quantity/Wire Size	3 @ 4 AWG
Motor Standards	NEMA
Motor Type	A36070M
Mounting Arrangement	F1
Number of Poles	4
Overall Length	33.48 IN
Power Factor	86
Product Family	General Industrial
Pulley End Bearing Type	Ball
Pulley Face Code	Standard
Service Factor	1.00
Shaft Diameter	2.374 IN
Shaft Ground Indicator	No Shaft Grounding
Shaft Rotation	Reversible
Shaft Slinger Indicator	Shaft Slinger
Speed	1780 rpm
Speed Code	Single Speed
Starting Method	Direct on line
Thermal Device - Bearing	None
Thermal Device - Winding	Normally Closed Thermostat

Nameplate

NP2496L
MOBIL POLYREX EM

000692000FX

000613006PC

CLASS I GROUP	C D X	NO.	
CLASS II GROUP	X X X		
OPERATING TEMP CODE	T3C		

NP3140L

SPEC NO.	A36-0001-4078			CAT.NO.	DRX36744T-5			FRAME	365T
HP	75	VOLTS	575	PHASE	3	DESIGN	B	TYPE	P
RPM	1780	AMPS	68.5	HZ	60	AMB	40	SF	1.00
DRIVE END BEARING	65BC03J30X		DUTY	CONT	INSUL.CLASS		F		
OPP D.E. BEARING	65BC03J30X		ENCL	TEFC	CODE	G			
SF	1.15	WK2	16.2	MAG CUR	22.3	RPM MAX	3600		
CT HZ	10-60	VT HZ	0-60	CHP HZ	60-90	NEMA-NOM-EFF	95.4		
SUIT FOR 55C AMB AT 1.00 SF					IP55				
SER.NO.				MOTOR WEIGHT					

611742-772

ENCLOSURE: TOTALLY ENCLOSED

MOUNTING: FOOT, F-1

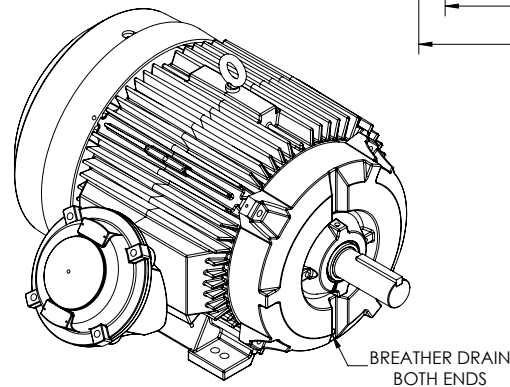
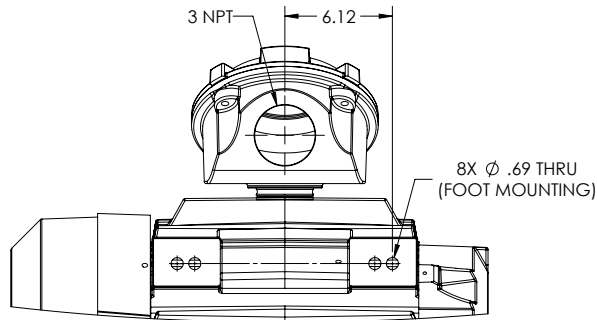
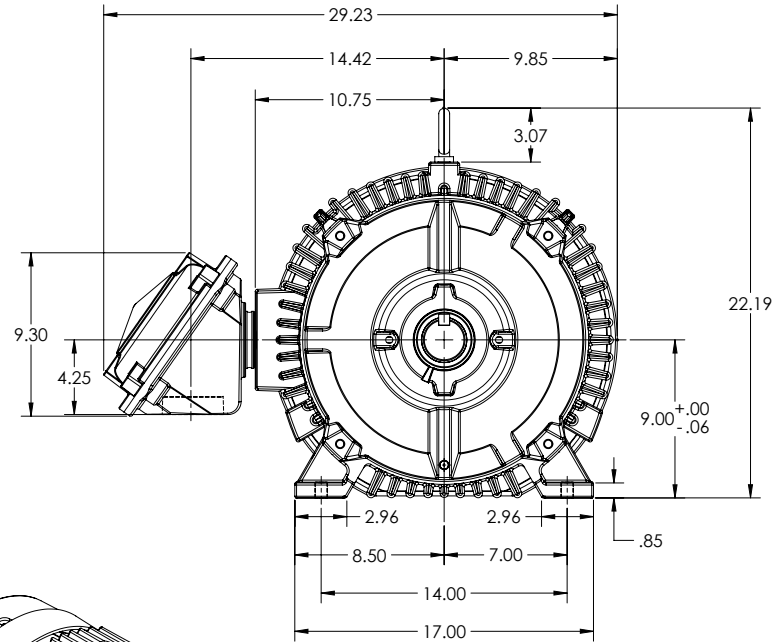
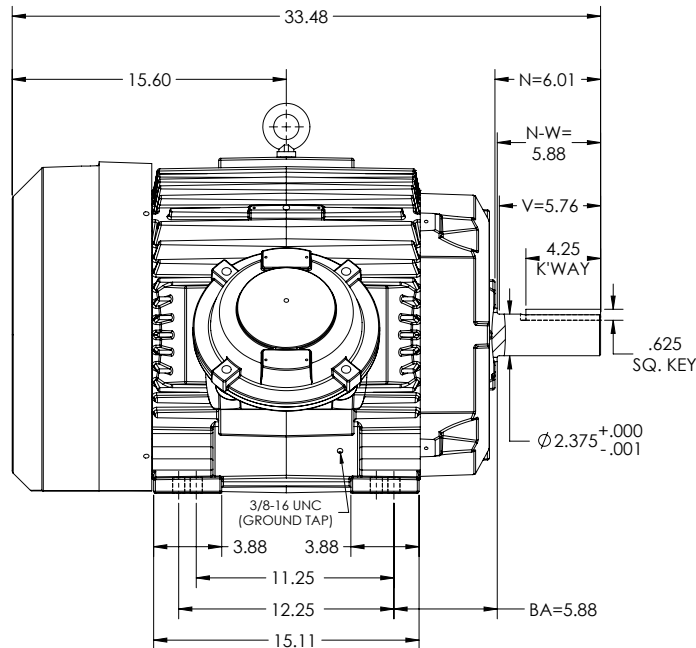
DUTY MASTER ALTERNATING CURRENT MOTORS
SQUIRREL-CAGE INDUCTION

E365T/E364T FRAME MOUNTING HOLES

DIV.1/CL.1/GRP. C & D

COOLING: FAN COOLED

UNDERWRITER MOTOR



DIMENSIONS ARE IN INCHES.
CUSTOMER IS RESPONSIBLE FOR DETERMINING THAT MOTOR PERFORMANCE IS SUITABLE IN THE APPLICATION.

SHEET NUMBER
1 OF 1
ZLL-CPL119

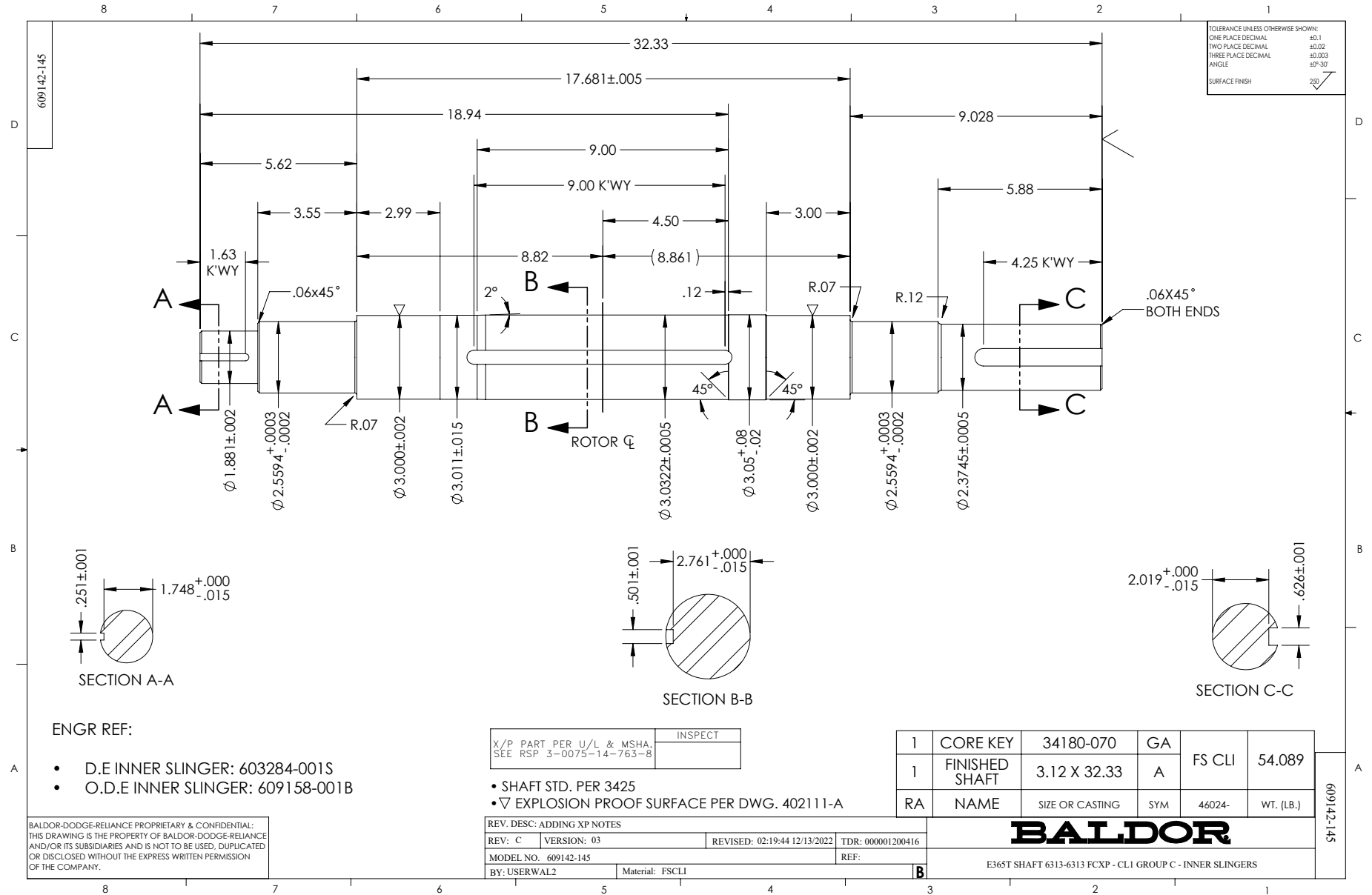
IF MOUNTING CLEARANCE DETAILS ARE REQUIRED, CONSULT FACTORY.
MAX PERMISSIBLE SHAFT RUNOUT WHEN MEASURED AT END OF STANDARD SHAFT EXTENSION IS .003" T.I.R.

REV. DESC: NEW DRAWING	VERSION: 00	REVISED: 03-41-44 10/24/2018	TDR: 00001088043
MODEL NO. 611742-772	BY: USJEDIL		

BALDOR

E365/364T FCXP F1 FOOT CAST IRON BOX/CL.1/GRP C & D/DRAINS

611742-772



ENGR REF:

- D.E INNER SLINGER: 603284-001S
- O.D.E INNER SLINGER: 609158-001B

X/P PART PER U/L & MSHA. SEE RSP 3-0075-14-763-8	INSPECT
---	---------

- SHAFT STD. PER 3425
- ▽ EXPLOSION PROOF SURFACE PER DWG. 402111-A

1	CORE KEY	34180-070	GA		
1	FINISHED SHAFT	3.12 X 32.33	A	FS CLI	54.089
RA	NAME	SIZE OR CASTING	SYM	46024-	WT. (LB.)

BALDOR-DODGE-RELIANCE PROPRIETARY & CONFIDENTIAL:
THIS DRAWING IS THE PROPERTY OF BALDOR-DODGE-RELIANCE
AND/OR ITS SUBSIDIARIES AND IS NOT TO BE USED, DUPLICATED
OR DISCLOSED WITHOUT THE EXPRESS WRITTEN PERMISSION
OF THE COMPANY.

REV. DESC: ADDING XP NOTES					
REV: C	VERSION: 03	REVISED: 02:19:44 12/13/2022	TDR: 000001200416		
MODEL NO. 609142-145			REF:		
BY: USERWAL2	Material: FSCLI		B		

BALDOR

E365T SHAFT 6313-6313 FCXP - CL1 GROUP C - INNER SLINGERS

416820-036

**A-C MOTOR
CONNECTION DIAGRAM
STANDARD 3 LEAD CONNECTED**



(N.P. 1575-BA)

416820-036

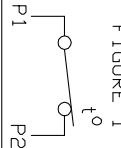
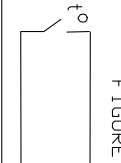
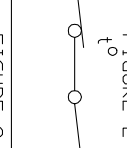
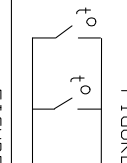
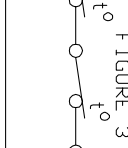
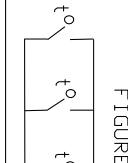
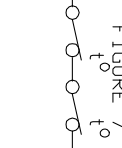
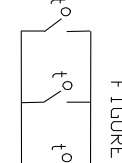
REV. DESC: LOADED TO BUS, C/R 335225		
REV. LTR: -	VERSION: 00	TDR: 000000538207
FILE: \MGA\00000\682	REVISED: 11: 54: 06 04/30/2010	
MTL: -	BY: RAGRA	

BALDOR

CONN DIAG - STANDARD 3 LEAD
SH 1 of 1

CONNECTION DIAGRAM ACCESSORIES

MOTOR WINDING THERMOSTATS	
CONTACTS _____ @ _____ °C	
FIGURE NUMBER _____	
CONTACT RATING	
VOLTS	CONTINUOUS AMPERES
110-120	3.0
220-240	1.5
440-480	0.75
550-600	0.60
	INRUSH AMPERES
	30
	15
	7.5
	6.0

NORMALLY CLOSED	THERMOSTATS	NORMALLY OPEN
 <p>FIGURE 1</p>		 <p>FIGURE 4</p>
 <p>FIGURE 2</p>		 <p>FIGURE 5</p>
 <p>FIGURE 3</p>		 <p>FIGURE 6</p>
 <p>FIGURE 7</p>		 <p>FIGURE 8</p>

CUSTOMER _____ CUSTOMER ORDER NO. _____ S.O. NO. _____

418174-006

418174-006

REV. DESC: LOADED TO BUS		
REV. LTR: A	VERSION: 01	TDR: 000000570390
FILE: \RAG\00013\849	REVISED: 10:16:21 12/07/2010	BY: RAGDRF
MTL: -		

BALDOR

A-C MOTOR CONNECTION ACCESSORIES

SH 1 of 1