

ABB BALDOR RELIANCE III

Customer information packet

DRX36644T

60//50HP, 1785//1485RPM, 3PH, 60//50HZ, 364T

Class - CLI GP C,D

Division - Division I

Specifications

Enclosure	TEFC
Frame	364T
Frame Material	Iron
Frequency	50.00 Hz 60.00 Hz
Haz Area Class and Group	CLI GP C,D
Haz Area Division	Division I
Motor Letter Type	Three Phase
Output @ Frequency	60.000 HP @ 60 HZ 50.000 HP @ 50 HZ
Phase	3
Synchronous Speed @ Frequency	1800 RPM @ 60 HZ
Voltage @ Frequency	190.0 V @ 50 HZ 230.0 V @ 60 HZ 380.0 V @ 50 HZ 460.0 V @ 60 HZ
Agency Approvals	UL CCSAUSEEV CSA
Ambient Temperature	40 °C
Auxiliary Box	NO AUXILLARY BOX
Base Indicator	Rigid
Bearing Grease Type	Polyrex EM (-20F +300F)
Current @ Voltage	70.000 A @ 460.0 V 70.000 A @ 380.0 V 152.000 A @ 208.0 V 140.000 A @ 230.0 V 140.000 A @ 190.0 V
Design Code	B
Drip Cover	No Drip Cover
Duty Rating	CONT
Efficiency @ 100% Load	95.0 %

Part Detail

Revision	-
Type	AC
Mech. spec.	
Base	
Status	PRD/A
Elec. spec.	A36WG4075
Layout	611742-772
Eff. date	07-28-2025
CD Diagram	CD0180
Poles	04
Leads	3#4,6#6
Proprietary	False
Created date	07-25-2025

Feedback Device	NO FEEDBACK
Haz Area Temp Code	T3C
Heater Indicator	No Heater
High Voltage Full Load Amps	70.0 a
Insulation Class	F
Inverter Code	Inverter Ready
KVA Code	G
Lifting Lugs	Standard Lifting Lugs
Motor Lead Quantity/Wire Size	3 @ 4 AWG
Motor Standards	NEMA
Motor Type	A3658M
Mounting Arrangement	F1
Number of Poles	4
Overall Length	33.48 IN
Power Factor	84
Product Family	DRILL RIG DUTY
Pulley End Bearing Type	Ball
Pulley Face Code	Standard
Service Factor	1.15
Shaft Diameter	2.374 IN
Shaft Ground Indicator	No Shaft Grounding
Shaft Rotation	Reversible
Shaft Slinger Indicator	Shaft Slinger
Speed	1485 rpm 1785 rpm
Speed Code	Single Speed
Starting Method	Direct on line
Thermal Device - Bearing	None
Thermal Device - Winding	Normally Closed Thermostat

Nameplate

NP2496L
MOBIL POLYREX EM

000692000FX

000613006PC

CLASS I GROUP	C D X	NO.	
CLASS II GROUP	X X X		
OPERATING TEMP CODE	T3C		

000901002AAA

SUITABLE FOR OPERATION ON VPWM
EQUIPPED WITH IGBT DEVICES AND
CARRIER FREQUENCY OF 2KHZ OR H

SUIT FOR 55 DEG C AMB @ 1.0 SF
IP55 CONSTRUCTION

INVERTER

CAPABLE OF
IGHER

60 DEG C RISE

NP2475L

CAT.NO.	DRX36644T	SPEC NO.	A36-5813-4075		FRAME	364T	
HP	60//50	PHASE	3	DESIGN	B	TYPE	P
RPM	1785//1485	HZ	60//50	AMB	40	SF	1.15
VOLTS	230/460//190/380	DUTY	CONT	INSUL.CLASS	F		
AMPS	140/70	ENCL	TEFC	CODE	G		
DRIVE END BEARING	65BC03J30X	NEMA-NOM-EFFICIENCY	95				
OPP D.E. BEARING	65BC03J30X						
SER.NO.	VFD READY 4:1CT, 10:1VT ON						
	VPWM INVERTER AT 1.0 SF AND 60		-90 CHP	MOTOR WEIGHT	987		

611742-772

ENCLOSURE: TOTALLY ENCLOSED

MOUNTING: FOOT, F-1

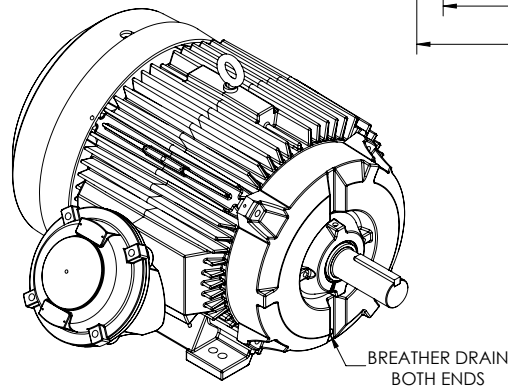
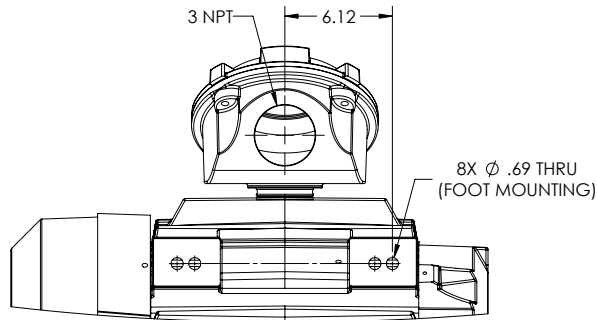
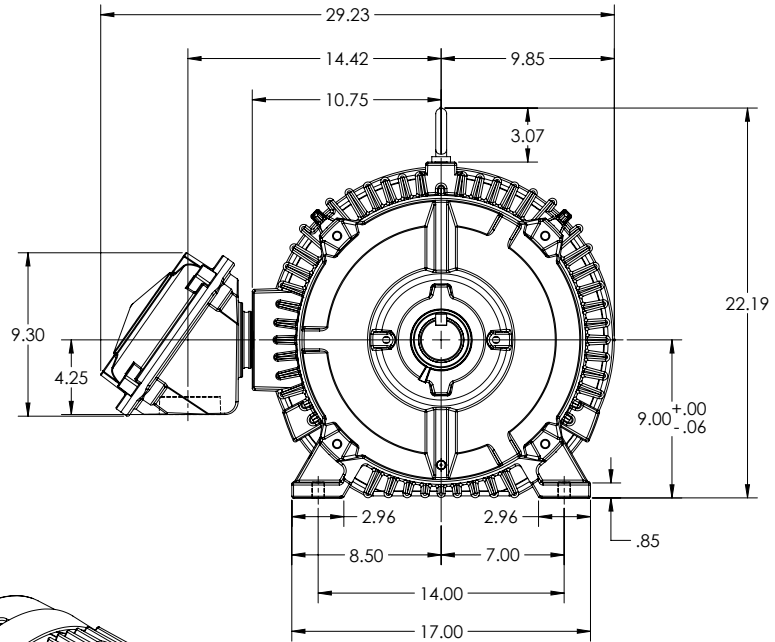
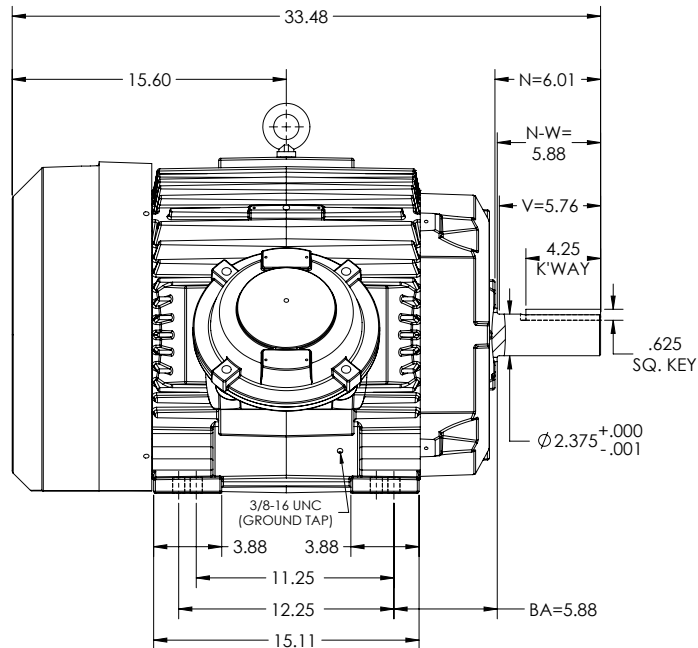
DUTY MASTER ALTERNATING CURRENT MOTORS
SQUIRREL-CAGE INDUCTION

E365T/E364T FRAME MOUNTING HOLES

COOLING: FAN COOLED

UNDERWRITER MOTOR

DIV.1/CL.1/GRP. C & D



DIMENSIONS ARE IN INCHES.
CUSTOMER IS RESPONSIBLE FOR DETERMINING THAT MOTOR PERFORMANCE IS SUITABLE IN THE APPLICATION.

SHEET NUMBER
1 OF 1
ZLL-CPL119

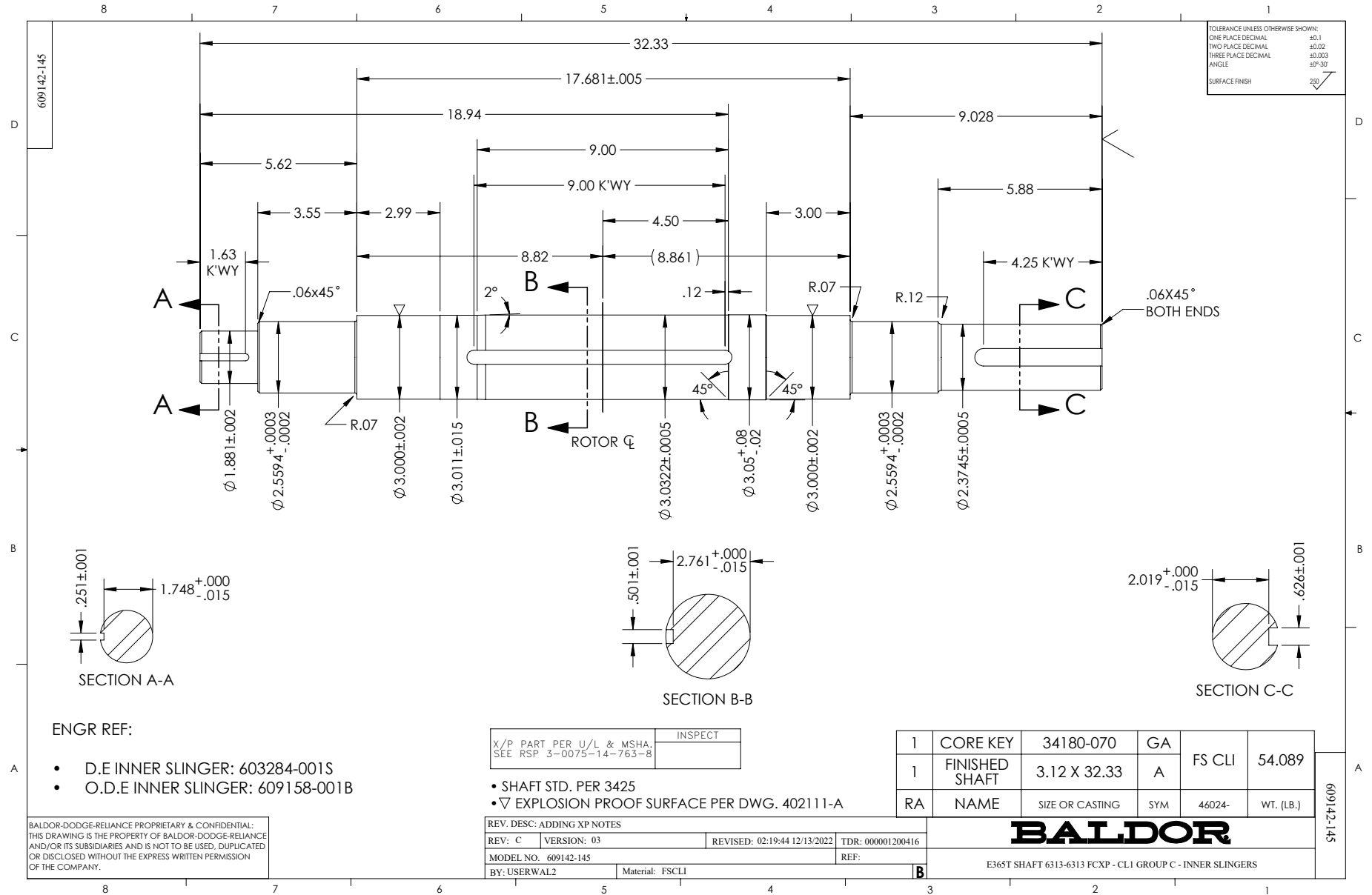
IF MOUNTING CLEARANCE DETAILS ARE REQUIRED, CONSULT FACTORY.
MAX PERMISSIBLE SHAFT RUNOUT WHEN MEASURED AT END OF STANDARD SHAFT EXTENSION IS .003" T.I.R.

REV. DESC: NEW DRAWING	VERSION: 00	REVISED: 03-41-44 10/24/2018	TDR: 000001088043
MODEL NO. 611742-772	BY: USJEDIL		

BALDOR

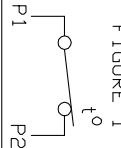
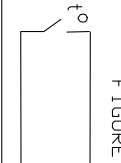
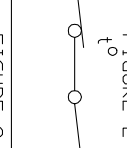
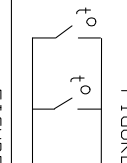
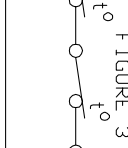
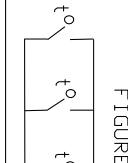
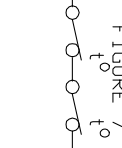
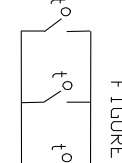
E365/364T FCXP F1 FOOT CAST IRON BOX/CL.1/GRP C & D/DRAINS

611742-772



CONNECTION DIAGRAM ACCESSORIES

MOTOR WINDING THERMOSTATS	
CONTACTS _____ @ _____ °C	
FIGURE NUMBER _____	
CONTACT RATING	
VOLTS	CONTACT RATING CONTINUOUS AMPERES
110-120	3.0
220-240	1.5
440-480	0.75
550-600	0.60
	INRUSH AMPERES
	30
	15
	7.5
	6.0

NORMALLY CLOSED	THERMOSTATS	NORMALLY OPEN
 <p>FIGURE 1</p>		 <p>FIGURE 4</p>
 <p>FIGURE 2</p>		 <p>FIGURE 5</p>
 <p>FIGURE 3</p>		 <p>FIGURE 6</p>
 <p>FIGURE 7</p>		 <p>FIGURE 8</p>

CUSTOMER _____ CUSTOMER ORDER NO. _____ S.O. NO. _____

418174-006

418174-006

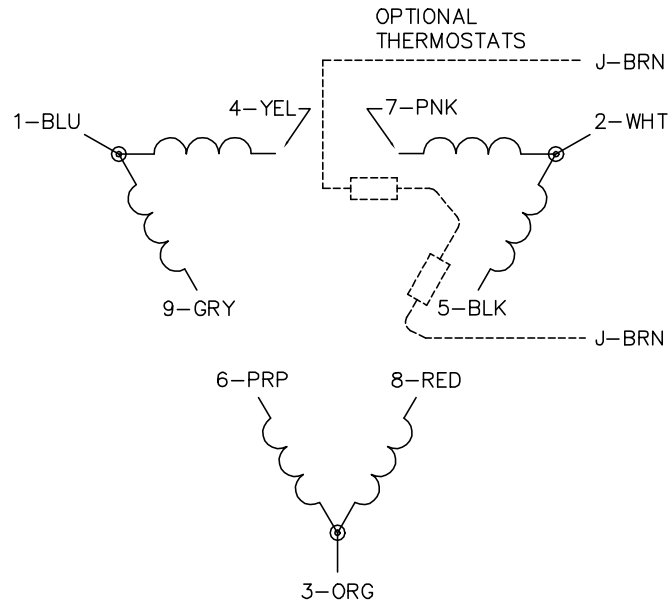
REV. DESC: LOADED TO BUS		
REV. LTR: A	VERSION: 01	TDR: 000000570390
FILE: \RAG\00013\849	REVISED: 10:16:21 12/07/2010	BY: RAGDRF
MTL: -		

BALDOR

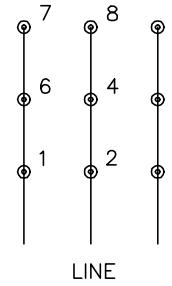
A-C MOTOR CONNECTION ACCESSORIES

SH 1 of 1

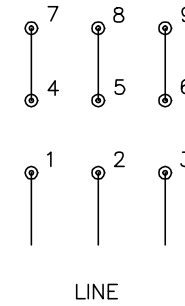
CD0180



LOW VOLTAGE
(2D)



HIGH VOLTAGE
(1D)



NOTES:

1. INTERCHANGE ANY TWO LINE LEADS TO REVERSE ROTATION.
2. OPTIONAL THERMOSTATS ARE PROVIDED WHEN SPECIFIED.
3. ACTUAL NUMBER OF INTERNAL PARALLEL CIRCUITS MAY BE A MULTIPLE OF THOSE SHOWN ABOVE.
4. LEAD COLORS ARE OPTIONAL. LEADS MUST ALWAYS BE NUMBERED AS SHOWN.

CD0180

REV. DESC: ADD CLASS CONN00000007		
REV. LTR: D	VERSION: 01	TDR: 000001099922
FILE: \AAA\00005\148	REVISED: 10: 25: 29 02/19/2019	BY: ENBRIRO
MTL: -	© □	

BALDOR - RELIANCE®

3PH, DV, 9 LEADS, DELTA CONNECTION

SH 1 of 1