

ABB BALDOR RELIANCE III

Customer information packet

DRX36624T

60HP, 3560RPM, 3PH, 60HZ, 364TS, TEFC, F1

Class - CLI GP C,D

Division - Division I

Specifications

Enclosure	TEFC
Frame	364TS
Frame Material	Iron
Frequency	60.00 Hz
Haz Area Class and Group	CLI GP C,D
Haz Area Division	Division I
Motor Letter Type	Three Phase
Output @ Frequency	60.000 HP @ 60 HZ
Phase	3
Synchronous Speed @ Frequency	3600 RPM @ 60 HZ
Voltage @ Frequency	230.0 V @ 60 HZ 460.0 V @ 60 HZ
Agency Approvals	CCSAUSEEV CSA UL
Ambient Temperature	40 °C
Auxiliary Box	NO AUXILLARY BOX
Base Indicator	Rigid
Bearing Grease Type	Polyrex EM (-20F +300F)
Constant Torque Speed Range	6-60
Current @ Voltage	130.000 A @ 230.0 V 65.100 A @ 460.0 V
Design Code	B
Drip Cover	No Drip Cover
Duty Rating	CONT
Efficiency @ 100% Load	93.6 %
Feedback Device	NO FEEDBACK
Haz Area Temp Code	T3C
Heater Indicator	No Heater
High Voltage Full Load Amps	65.1 a
Insulation Class	F
Inverter Code	Inverter Ready

Part Detail

Revision	-
Type	AC
Mech. spec.	
Base	
Status	PRD/A
Elec. spec.	A36WG1558
Layout	611742-779
Eff. date	05-29-2019
CD Diagram	416820-002
Poles	02
Leads	3#4,6#6
Proprietary	False
Created date	04-30-2019

IP Rating	NONE
KVA Code	G
Lifting Lugs	Standard Lifting Lugs
Max Speed	4200 rpm
Motor Lead Quantity/Wire Size	3 @ 4 AWG
Motor Standards	NEMA
Motor Type	A36056M
Mounting Arrangement	F1
Number of Poles	2
Overall Length	31.35 IN
Power Factor	91
Product Family	General Industrial
Pulley End Bearing Type	Ball
Pulley Face Code	Standard
Service Factor	1.00
Shaft Diameter	1.875 IN
Shaft Ground Indicator	No Shaft Grounding
Shaft Rotation	Reversible
Shaft Slinger Indicator	Shaft Slinger
Speed	3560 rpm
Speed Code	Single Speed
Starting Method	Direct on line
Thermal Device - Bearing	None
Thermal Device - Winding	Normally Closed Thermostat

Nameplate

NP2496L
MOBIL POLYREX EM

000692000FX



000613006PC

CLASS I GROUP	C D X	NO.	
----------------------	-------	------------	--

CLASS II GROUP	X X X		
-----------------------	-------	--	--

OPERATING TEMP CODE	T3C		
----------------------------	-----	--	--

NP3140L

SPEC NO.	A36-7814-1558	CAT.NO.	DRX36624T	FRAME	364TS
HP	60	VOLTS	230/460	PHASE	3
RPM	3560	AMPS	130/65.1	DESIGN	B
DRIVE END BEARING	65BC03J30X	DUTY	CONT	TYPE	P
OPP D.E. BEARING	65BC03J30X	ENCL	TEFC	INSUL.CLASS	F
SF	1.15	WK2		AMB	40
CT HZ	6-60	MAG CUR	28.8/14.4	SF	1.00
		VT HZ	0-60	RPM MAX	4200
		CHP HZ	60-70	NEMA-NOM-EFF	93.6
	SUIT FOR 55C AMB AT 1.00 SF			IP55	
SER.NO.		MOTOR WEIGHT	1023		

REL. S.O.	FRAME	HP	TYPE	PHASE/ HERTZ	RPM	VOLTS
	364TS	60	P	3/60	3560	230/460
AMPS	DUTY	AMB °C/ INSUL.	S.F.	NEMA DESIGN	CODE LETTER	ENCL.
130/65.1	CONT	40/F	1.00	B	G	TEFC
E/S	ROTOR	TEST S.O.	TEST DATE	STATOR RES. @25 °C OHMS (BETWEEN LINES)		
491281	418141005XE	---	---	.0254/.101		

PERFORMANCE

LOAD	HP	AMPERES	RPM	% POWER FACTOR	% EFFICIENCY
NO LOAD	0	14.4	3600	12.7	0
1/4	15.0	21.3	3590	74.9	87.8
2/4	30.0	34.0	3580	89.4	92.4
3/4	45.0	48.8	3569	92.4	93.5
4/4	60.0	65.1	3558	92.1	93.6
5/4	75.0	82.5	3546	91.3	93.3

SPEED TORQUE

	RPM	TORQUE % FULL LOAD	TORQUE LB.-FT.	AMPERES
LOCKED ROTOR	0	203	180	435
PULL UP	1565	175	155	355
BREAKDOWN	3397	231	205	212
FULL LOAD	3558	100	88.6	65.1

AMPERES SHOWN FOR 460. VOLT CONNECTION. IF OTHER VOLTAGE CONNECTIONS ARE AVAILABLE, THE AMPERES WILL VARY INVERSELY WITH THE RATED VOLTAGE

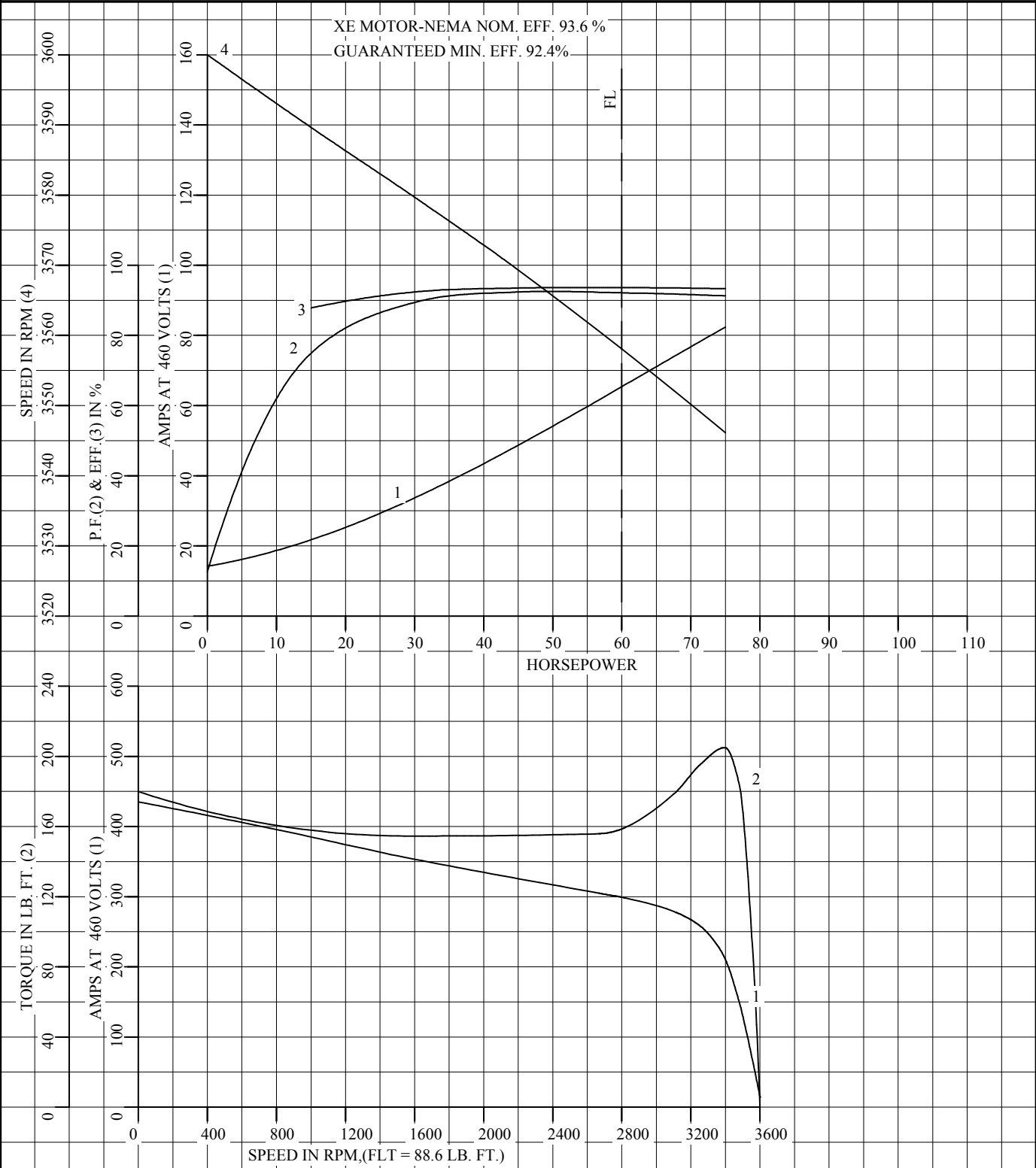
REMARKS: TYPICAL DATA
XE MOTOR-NEMA NOM. EFF. 93.6 %
GUARANTEED MIN. EFF. 92.4%



DR. BY W. L. SMITH
CK. BY G. R. WEBB
APP. BY D. M. BYRD
DATE 03/11/02

**A-C MOTOR
PERFORMANCE DATA** A36WG1558-R012
ISSUE DATE 04/30/19

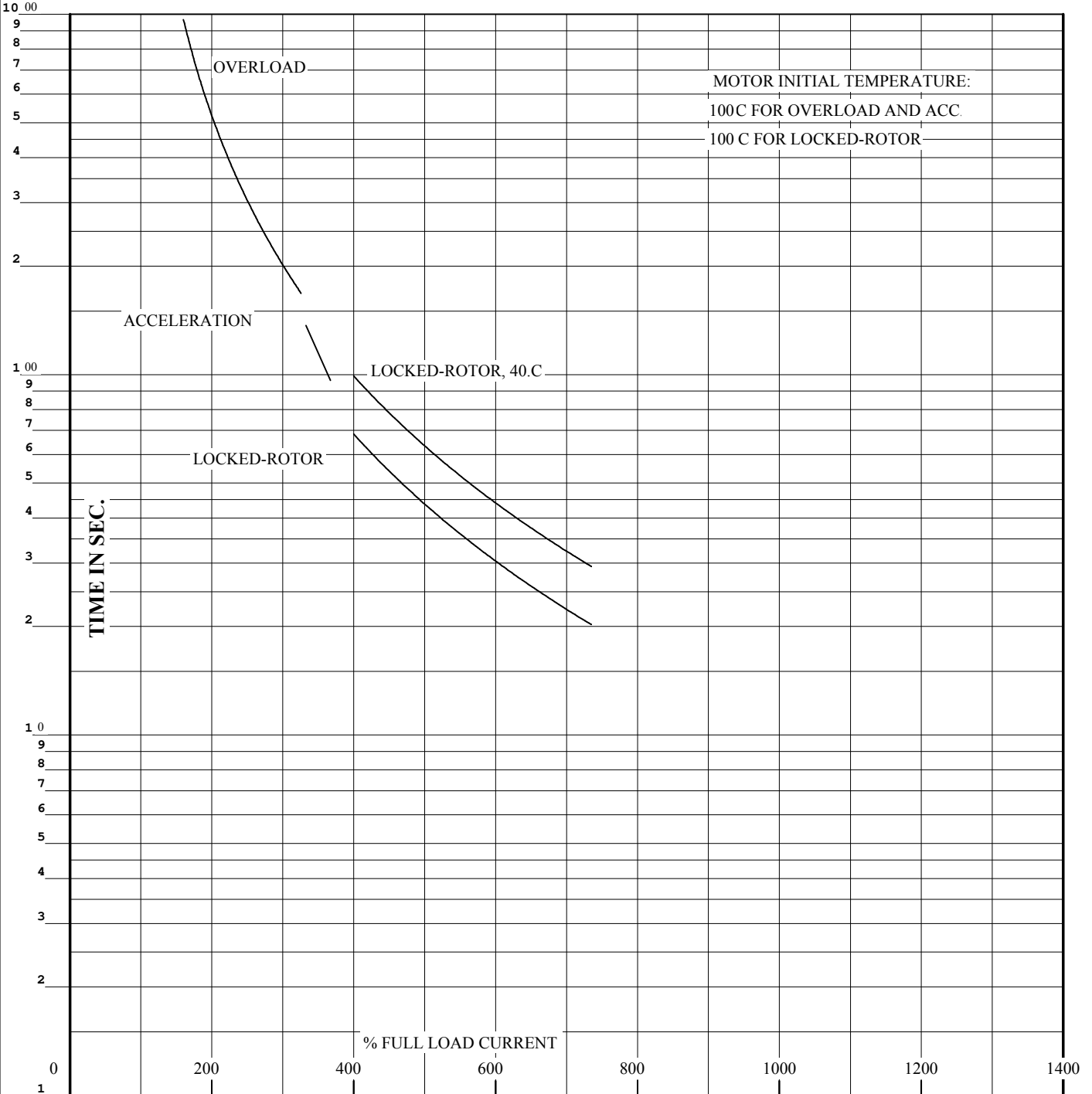
REL S.O.	RPM 3560	S.F. 1.00	ROTOR 418141005XE
FRAME 364TS	VOLTS 230/460	NEMA DESIGN B	TEST S.O. TYPICAL DATA
HP 60	AMPS 130/65.1	CODE LETTER G	TEST DATE ---
TYPE P	DUTY CONT	ENCLOSURE TEFC	STATOR RES. @ 25 °C .0254/.101
PHASE/HERTZ 3/60	AMB °C/INSUL 40/F	E/S 491281	OHMS (BETWEEN LINES)



DR. BY W. L. SMITH
 CK. BY G. R. WEBB
 APP. BY D. M. BYRD
 DATE 03/11/02

**A-C MOTOR
PERFORMANCE
CURVES** **A36WG1558-R012**
 ISSUE DATE **04/30/19**

REL. S.O.	RPM 3560	S.F. 1.00	ROTOR 418141005XE
FRAME 364TS	VOLTS 230/460	NEMA DESIGN B	TEST S.O. TYPICAL DATA
HP 60	AMPS 130/65.1	CODE LETTER G	TEST DATE ---
TYPE P	DUTY CONT	ENCLOSURE TEFC	STATOR RES. @ 25 °C .0254/.101
PHASE/HERTZ 3/60	AMB °C/INSUL 40/F	E/S 491281	OHMS (BETWEEN LINES)



THERMAL LIMIT CURVE

REMARKS: XE MOTOR-NEMA NOM. EFF. 93.6 %
GUARANTEED MIN. EFF. 92.4%

AMPERES SHOWN FOR 460 VOLT CONNECTION, IF OTHER VOLTAGE CONNECTIONS ARE AVAILABLE, THE AMPERES WILL VARY INVERSELY WITH THE RATED VOLTAGE.



DR. BY	W. L. SMITH
CK. BY	G. R. WEBB
APP. BY	D. M. BYRD
DATE	03/11/02

**A-C MOTOR
PERFORMANCE CURVES** **A36WG1558-R012**
ISSUE DATE 04/30/19 Page 10 of 13

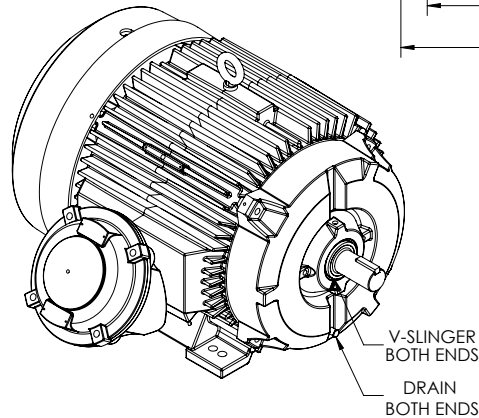
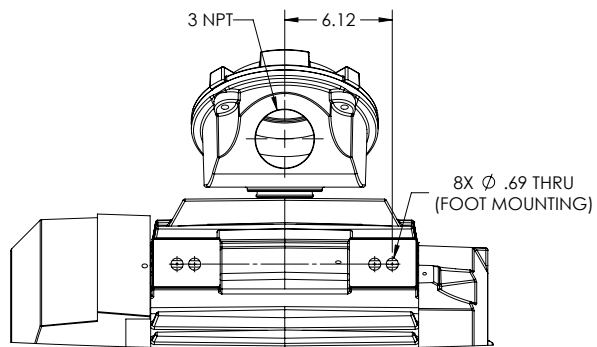
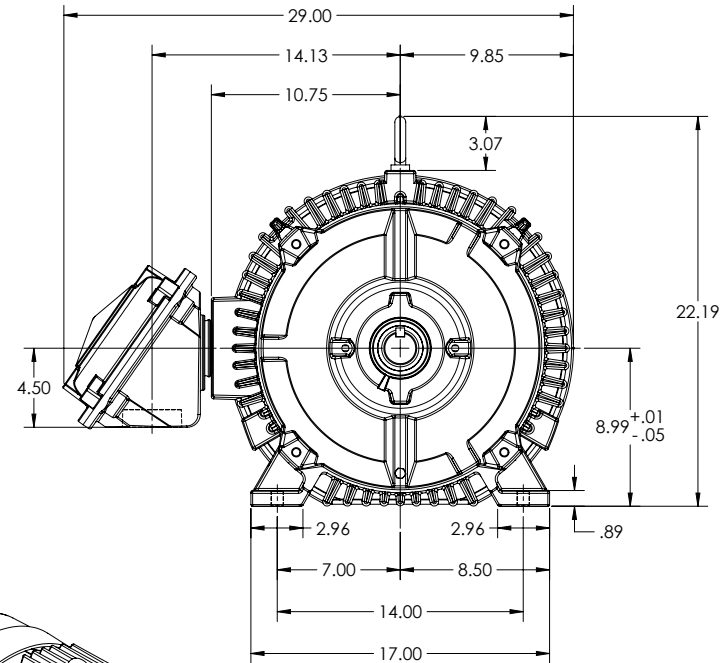
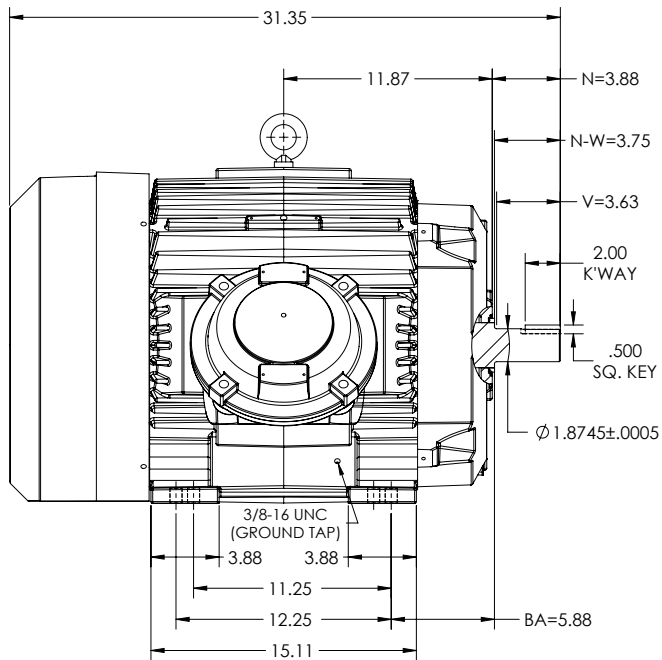
ENCLOSURE: TOTALLY ENCLOSED

MOUNTING: FOOT, F-1

DUTY MASTER ALTERNATING CURRENT MOTORS
SQUIRREL-CAGE INDUCTION

E365TS/E364TS FRAME MOUNTING HOLES

COOLING: FAN COOLED



DIMENSIONS ARE IN INCHES.
CUSTOMER IS RESPONSIBLE FOR DETERMINING THAT MOTOR PERFORMANCE IS SUITABLE IN THE APPLICATION.

SHEET NUMBER
1 OF 1

MOTOR WEIGHT (LBS) = 944, MAY VARY BY 15% DEPENDING RATING.
IF MOUNTING CLEARANCE DETAILS ARE REQUIRED, CONSULT FACTORY.
MAX PERMISSIBLE SHAFT RUNOUT WHEN MEASURED AT END OF STANDARD SHAFT EXTENSION IS .003" T.I.R.

REV. DESC: NEW DRAWING	VERSION: 00	REVISED: 01-54-43 04/30/2019	TDR: 000001107162
MODEL NO. 611742-779	BY: USJEDIL		

BALDOR

E365364TS FCXP F1 FOOT-CL CONDUIT BOX-GROUND TAP/DRAINS

611742-779

CONNECTION DIAGRAM ACCESSORIES

MOTOR WINDING THERMOSTATS	
CONTACTS _____ @ _____ °C	
FIGURE NUMBER _____	
CONTACT RATING	
VOLTS	CONTINUOUS AMPERES
110-120	3.0
220-240	1.5
440-480	0.75
550-600	0.60
	INRUSH AMPERES
	30
	15
	7.5
	6.0

NORMALLY CLOSED	THERMOSTATS	NORMALLY OPEN
 FIGURE 1		 FIGURE 4
 FIGURE 2		 FIGURE 5
 FIGURE 3		 FIGURE 6
 FIGURE 7		 FIGURE 8

CUSTOMER _____ CUSTOMER ORDER NO. _____ S.O. NO. _____

418174-006

418174-006

REV. DESC: LOADED TO BUS		
REV. LTR: A	VERSION: 01	TDR: 000000570390
FILE: \RAG\00013\849	REVISED: 10:16:21 12/07/2010	BY: RAGDRF
MTL: -		

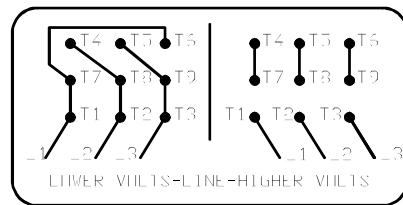
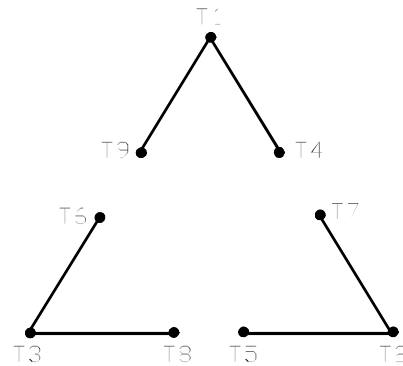
BALDOR

A-C MOTOR CONNECTION ACCESSORIES

SH 1 of 1

416820-002

A-C MOTOR
CONNECTION DIAGRAM
STANDARD 9 LEAD DELTA-CONNECTED



(N.P. 1575-B)

416820-002

REV. DESC: FONT CHANGE FOR PDF SEARCHABLE		
REV. LTR: A	VERSION: 01	TDR: 000001009382
FILE: \MGA\00000\661	REVISED: 02:46:19 02/13/2020	BY: MGHMTT
MTL: -		© □

BALDOR - RELIANCE®

CONN DIAG - STANDARD 9 LEAD, DELTA-CONNECTED

SH 1 of 1