

BALDOR • RELIANCE

Customer information packet

DRX251524T-5

15HP, 3530RPM, 3PH, 60HZ, 254T, XPFC, F1

Class - CLI GP C,D

Division - Division I

Copyright © All product information within this document is subject to ABB Motors and Mechanical Inc. copyright © protection, unless otherwise noted.

8/15/2024 12:43:03 AM

Specifications

Enclosure	XPFC
Frame	254T
Frame Material	Iron
Frequency	60.00 Hz
Haz Area Class and Group	CLI GP C,D
Haz Area Division	Division I
Motor Letter Type	Three Phase
Output @ Frequency	15.000 HP @ 60 HZ
Phase	3
Synchronous Speed @ Frequency	3600 RPM @ 60 HZ
Voltage @ Frequency	575.0 V @ 60 HZ
Agency Approvals	CSA EEV UL
Ambient Temperature	40 °C
Auxillary Box	No Auxillary Box
Auxillary Box Lead Termination	None
Base Indicator	Rigid
Bearing Grease Type	Polyrex EM (-20F +300F)
Blower	None
Constant Torque Speed Range	6
Current @ Voltage	13.700 A @ 575.0 V
Design Code	A
Drip Cover	No Drip Cover
Duty Rating	CONT
Efficiency @ 100% Load	91.0 %
Electrically Isolated Bearing	Not Electrically Isolated
Feedback Device	NO FEEDBACK
Haz Area Temp Code	T3C
Heater Indicator	No Heater
High Voltage Full Load Amps	13.7 a
Insulation Class	F
Inverter Code	Inverter Duty

Part detail

Revision	H
Type	AC
Mech. spec.	
Base	
Status	PRD/A
Elec. spec.	09WGT021
Layout	09LYF369
Eff. date	02-14-2024
CD Diagram	CD0006
Poles	02
Leads	3#12
Proprietary	False
Created date	07-19-2019

IP Rating	NONE
KVA Code	H
Lifting Lugs	Standard Lifting Lugs
Locked Bearing Indicator	Locked Bearing
Max Speed	5400 rpm
Motor Lead Termination	Flying Leads
Motor Standards	NEMA
Motor Type	0934M
Mounting Arrangement	F1
Number of Poles	2
Overall Length	25.50 IN
Power Factor	88
Product Family	Hazardous Location Motor
Pulley Face Code	Standard
Rodent Screen	None
RoHS Status	ROHS NON-COMPLIANT
Service Factor	1.00
Shaft Diameter	1.625 IN
Shaft Ground Indicator	No Shaft Grounding
Shaft Rotation	Reversible
Speed	3530 rpm
Speed Code	Single Speed
Starting Method	Direct on line
Thermal Device - Bearing	None
Thermal Device - Winding	Normally Closed Thermostat
Vibration Sensor Indicator	No Vibration Sensor
Winding Thermal 1	None
Winding Thermal 2	None

Nameplate

NP1401XPSLEV										
NO.		CC	010A							
S/N		TEMP CODE	T3C							
SPEC.	09-0000-1598		INV.TYPE	PWM						
CAT.NO.	DRX251524T-5		C HP FR	60	C HP TO	90				
HP	15		CT HZ FROM	6	CT HZ TO	60				
VOLTS	575		VT HZ FROM	6	VT HZ TO	60				
AMPS	13.7		MAG CUR	4.5						
RPM	3530		MX RPM	5400						
HZ	60	PH	3	CL	F	NOM.EFF.	91			
SER.F.	1.00	DES	A	SL HZ	1.2	WK2	0.87			
FRAME	254T	RATING	40C AMB-CONT							
	55C AMB @ 1.0 SF, 60C RISE									
	1.15SF ON SINEWAVE		NEMA MG-1	PT.5,IP55						

AC Induction Motor Performance Data

Record # 77607

Typical performance - not guaranteed values

Winding: 09WGT021-R003		Type: 0934M	Enclosure: XPFC	
Nameplate Data			575 V, 60 Hz: Single Voltage Motor	
Rated Output (HP)	15	Full Load Torque	22.2 LB-FT	
Volts	575	Start Configuration	direct on line	
Full Load Amps	13.7	Breakdown Torque	97.9 LB-FT	
R.P.M.	3530	Pull-up Torque	31.5 LB-FT	
Hz	60	Locked-rotor Torque	39.1 LB-FT	
NEMA Design Code	A	Starting Current	98.1 A	
Service Factor (S.F.)	1	No-load Current	4.45 A	
NEMA Nom. Eff.	91	Line-line Res. @ 25°C	0.949 Ω	
Rating - Duty	40C AMB-CONT	Temp. Rise @ Rated Load	56°C	
S.F. Amps		Temp. Rise @ S.F. Load	70°C	
		Locked-rotor Power Factor	29.2	
		Rotor inertia	0.868 LB-FT ²	

Load Characteristics 575 V, 60 Hz, 15 HP

% of Rated Load	25	50	75	100	125	150
Power Factor	59	79	87	89	90	90
Efficiency	86.4	91.3	91.5	91.5	91.1	90.2
Speed	3582	3566	3548	3530	3511	3489
Line amperes	5.55	7.87	10.6	13.7	16.9	20.5

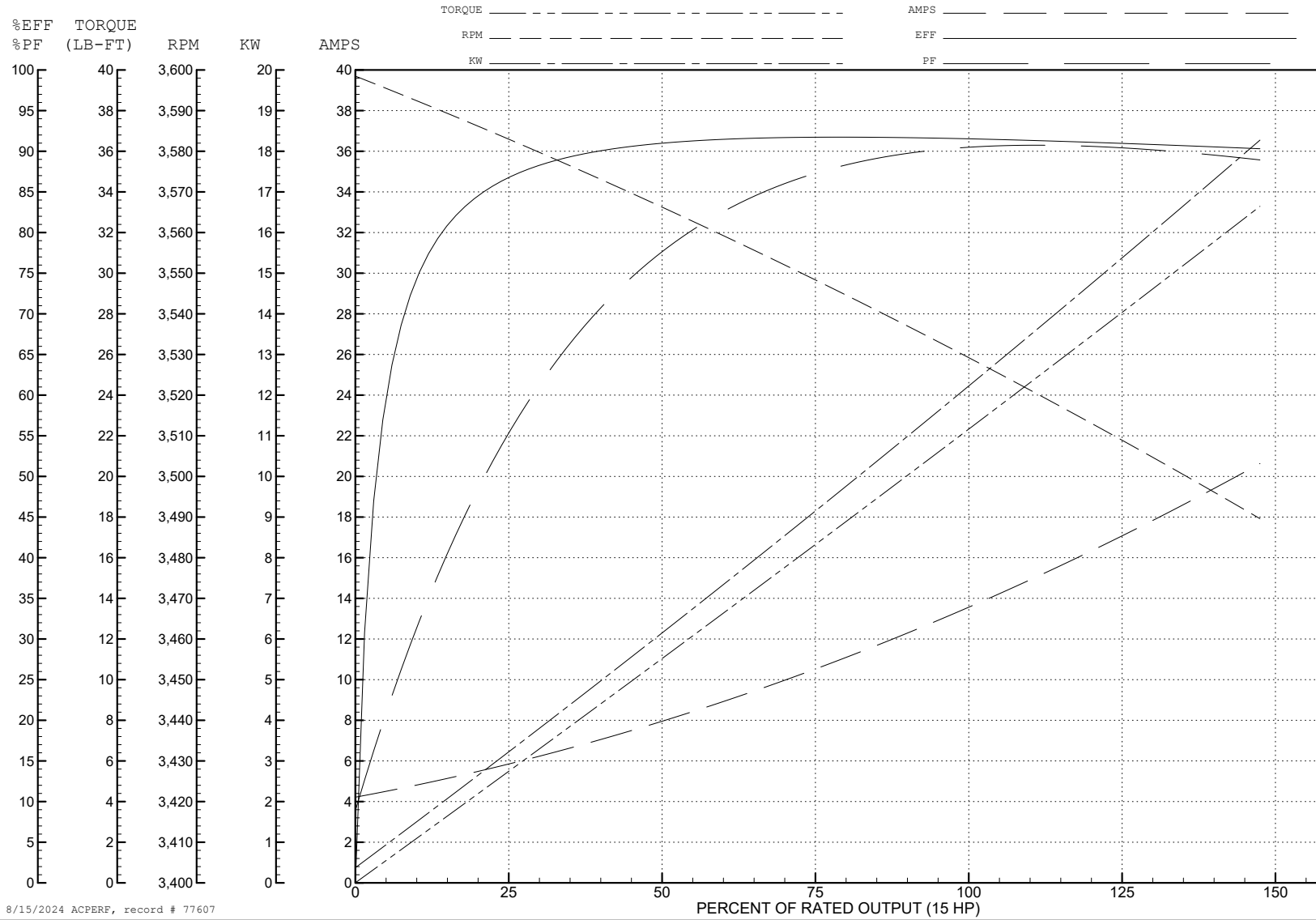
ABB Motors and Mechanical Inc.

WINDING # 09WGT021

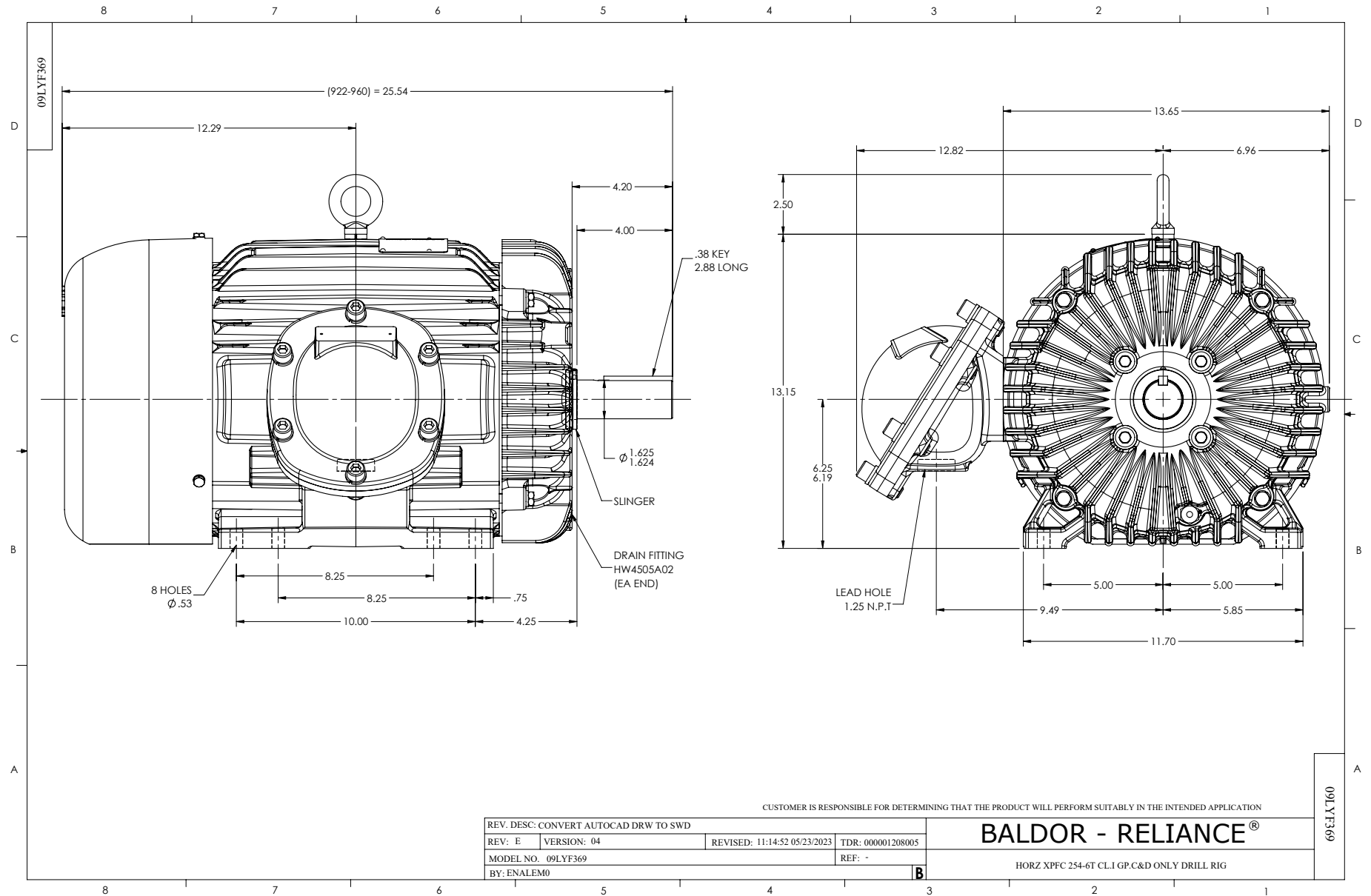
Typical performance - not guaranteed values.

15 HP 3 PH 60 HZ 3530 RPM 575 V 0934M

TORQUES (LB-FT): PO=97.9 PU=31.5 LR=39.1 LRA=98.1



8/15/2024 ACPERF, record # 77607



CD0006



NOTES:

1. THREE LEAD MOTOR MAY BE EITHER WYE CONNECTED OR DELTA CONNECTED.
2. INTERCHANGE ANY TWO LINE LEADS TO REVERSE ROTATION.
3. OPTIONAL THERMOSTATS ARE PROVIDED WHEN SPECIFIED.
4. ACTUAL NUMBER OF INTERNAL PARALLEL CIRCUITS MAY VARY.
5. LEAD COLORS ARE OPTIONAL. LEADS MUST BE NUMBERED AS SHOWN.

CD0006

REV. DESC: ADD CLASS CONN00000007		
REV. LTR: E	VERSION: 01	TDR: 000001099922
FILE: \AAA\00005\141	REVISED: 10:24:49 02/19/2019	BY: ENBRIRO
MTL: -	© □	

BALDOR - RELIANCE®

3PH, SV, 3 LEADS, WYE OR DELTA CONNECTED

SH 1 of 1