



Customer information packet

DRX18544T

5HP, 1750//1450RPM, 3PH, 60HZ, 184T, XPFC, F1

Class - CLI GP C,D

Division - Division I

Specifications

Enclosure	XPFC
Frame	184T
Frame Material	Iron
Frequency	60.00 Hz
Haz Area Class and Group	CLI GP C,D
Haz Area Division	Division I
Motor Letter Type	Three Phase
Output @ Frequency	5.000 HP @ 60 HZ
Phase	3
Synchronous Speed @ Frequency	1800 RPM @ 60 HZ
Voltage @ Frequency	460.0 V @ 60 HZ 230.0 V @ 60 HZ
Agency Approvals	CSA EEV UL
Ambient Temperature	40 °C
Auxillary Box	No Auxillary Box
Auxillary Box Lead Termination	None
Base Indicator	Rigid
Bearing Grease Type	Polyrex EM (-20F +300F)
Blower	None
Constant Torque Speed Range	6
Current @ Voltage	6.600 A @ 460.0 V 5.100 A @ 380.0 V 13.200 A @ 230.0 V 10.200 A @ 190.0 V
Design Code	B
Drip Cover	No Drip Cover
Duty Rating	CONT
Efficiency @ 100% Load	89.5 %
Electrically Isolated Bearing	Not Electrically Isolated
Feedback Device	NO FEEDBACK
Haz Area Temp Code	T3C

Part detail

Revision	D
Type	AC
Mech. spec.	
Base	
Status	PRD/A
Elec. spec.	06WGY545
Layout	06LY-000-044
Eff. date	02-28-2024
CD Diagram	CD0005
Poles	04
Leads	9#16
Proprietary	False
Created date	03-22-2019

Heater Indicator	No Heater
High Voltage Full Load Amps	5.1 a
Insulation Class	F
Inverter Code	Inverter Duty
IP Rating	NONE
KVA Code	J
Lifting Lugs	Standard Lifting Lugs
Locked Bearing Indicator	Locked Bearing
Max Speed	2700 rpm
Motor Lead Termination	Flying Leads
Motor Standards	NEMA
Motor Type	0642M
Mounting Arrangement	F1
Number of Poles	4
Overall Length	17.56 IN
Power Factor	81
Product Family	General Purpose
Pulley Face Code	Standard
Rodent Screen	None
RoHS Status	ROHS NON-COMPLIANT
Service Factor	1.00
Shaft Diameter	1.125 IN
Shaft Ground Indicator	No Shaft Grounding
Shaft Rotation	Reversible
Speed	1750 rpm
Speed Code	Single Speed
Starting Method	Direct on line
Thermal Device - Bearing	None
Thermal Device - Winding	Normally Closed Thermostat
Vibration Sensor Indicator	No Vibration Sensor
Winding Thermal 1	None
Winding Thermal 2	None

Nameplate

NP1401XPSLEV										
NO.		CC	010A							
S/N		TEMP CODE	T3C							
SPEC.	06-0000-0054		INV.TYPE	PWM						
CAT.NO.	DRX18544T		C HP FR	60	C HP TO	90				
HP	5//3		CT HZ FROM	6	CT HZ TO	60				
VOLTS	230/460//190/380		VT HZ FROM	6	VT HZ TO	60				
AMPS	13.2/6.6//10.2/5.1		MAG CUR	6/3						
RPM	1750//1450		MX RPM	2700						
HZ	60	PH	3	CL	F	NOM.EFF.	89.5			
SER.F.	1.00	DES	B	SL HZ	1.7	WK2	0.39			
FRAME	184T	RATING	40C AMB-CONT							
	55C AMB @1.0SF									
	1.15SF SINEWAVE				NEMA MG-1 PT 5,IP55					

AC Induction Motor Performance Data

Record # 72834

Typical performance - not guaranteed values

Winding: 06WGY545-R005		Type: 0642M	Enclosure: XPFC			
Nameplate Data			460 V, 60 Hz: High Voltage Connection			
Rated Output (HP)	5//3		Full Load Torque	15 LB-FT		
Volts	230/460//190/380		Start Configuration	direct on line		
Full Load Amps	13.2/6.6//10.2/5.1		Breakdown Torque	53.9 LB-FT		
R.P.M.	1750//1450		Pull-up Torque	22.4 LB-FT		
Hz	60//50	Phase	3	Locked-rotor Torque	31.8 LB-FT	
NEMA Design Code	B		KVA Code	J	Starting Current	46.6 A
Service Factor (S.F.)	1		No-load Current	3.02 A		
NEMA Nom. Eff.	89.5	Power Factor	79		Line-line Res. @ 25°C	2.63 Ω
Rating - Duty	40C AMB-CONT		Temp. Rise @ Rated Load	53°C		
			Locked-rotor Power Factor	40.5		
			Rotor inertia	0.391 LB-FT ²		

Load Characteristics 460 V, 60 Hz, 5 HP

% of Rated Load	25	50	75	100	125	150
Power Factor	41	63	75	81	84	85
Efficiency	85.1	89.7	90.3	89.8	88.4	86.8
Speed	1789	1777	1765	1752	1737	1721
Line amperes	3.35	4.14	5.21	6.45	7.91	9.47

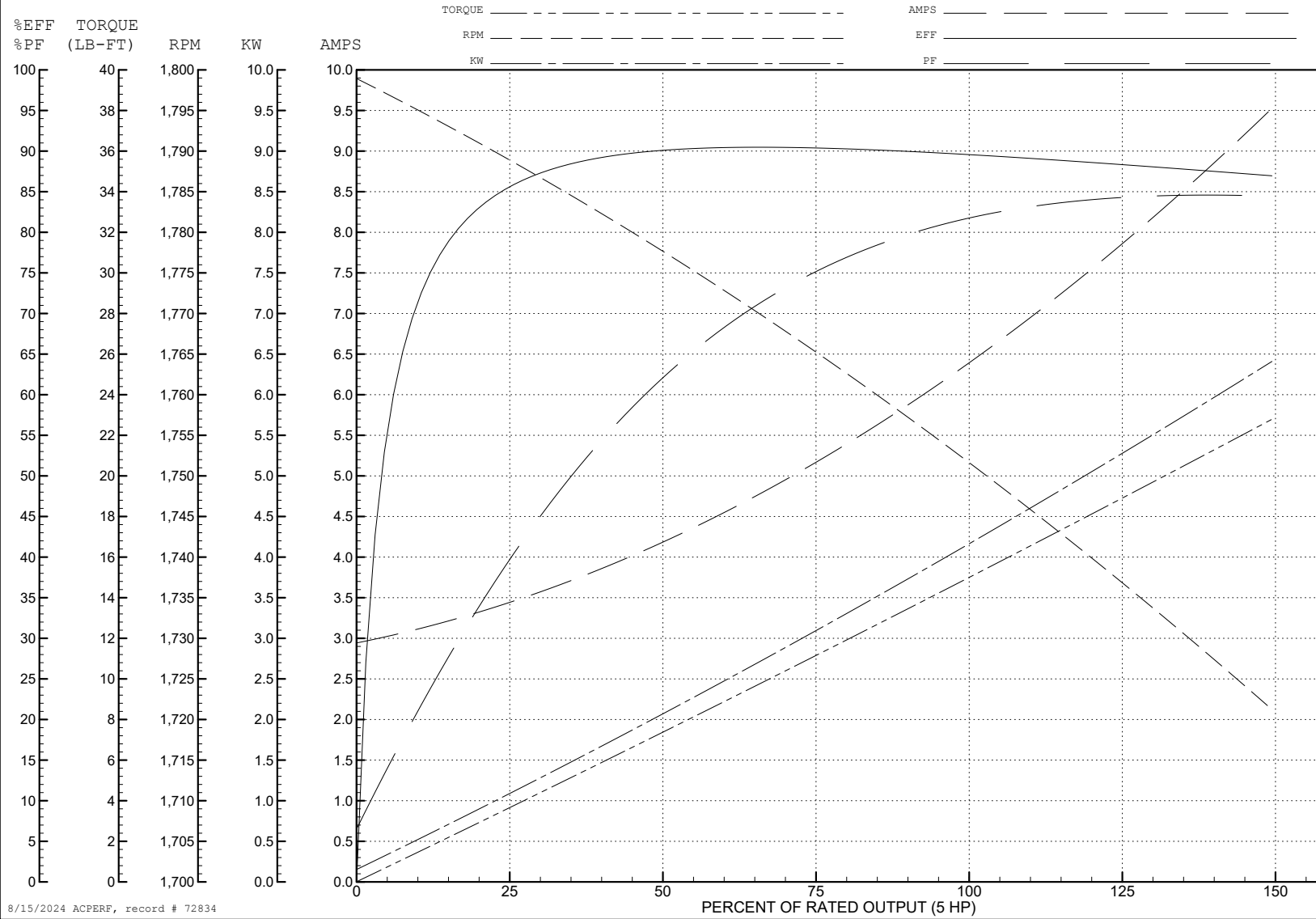
ABB Motors and Mechanical Inc.

WINDING # 06WGY545

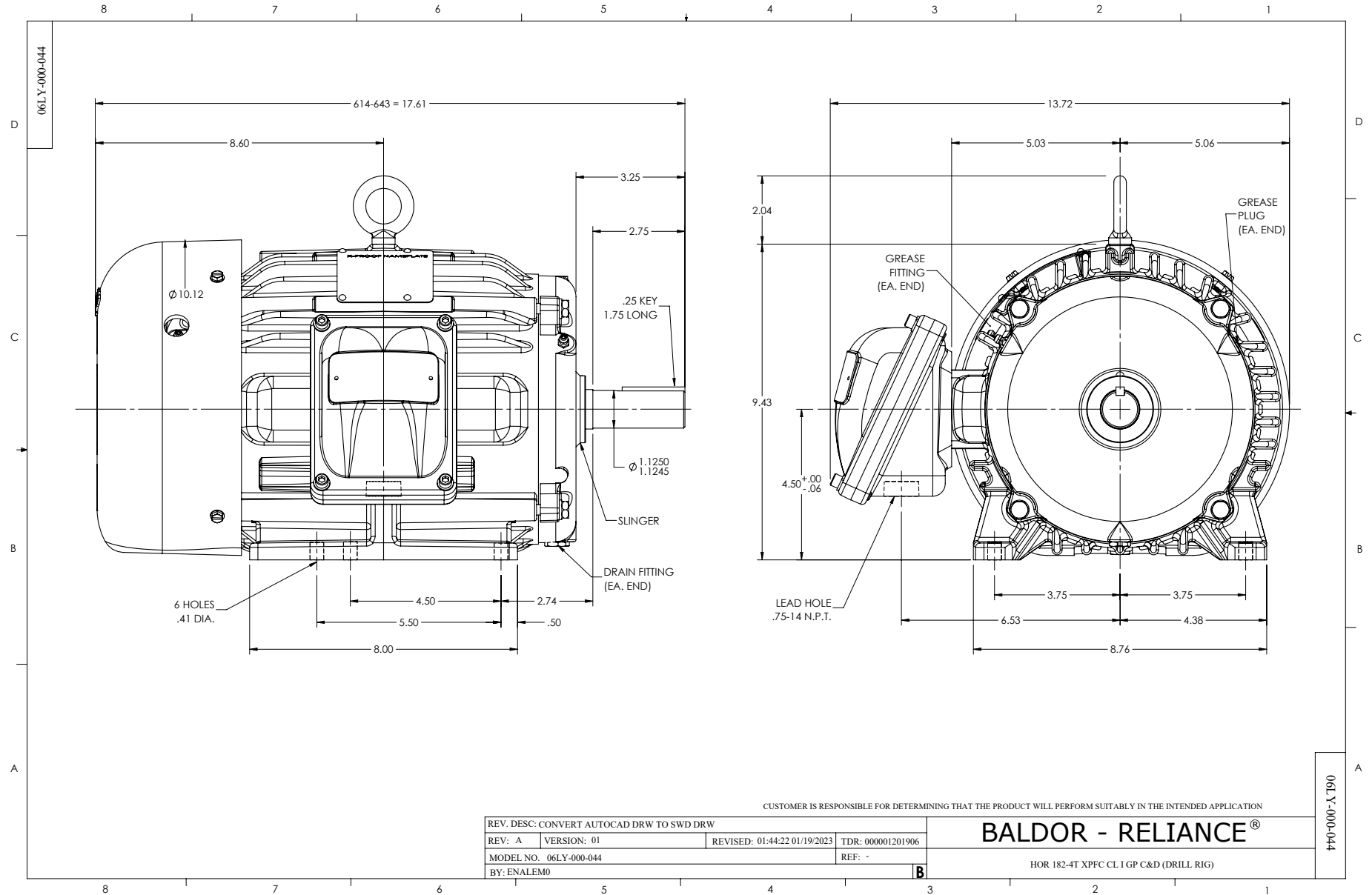
5 HP 3 PH 60 HZ 1752 RPM 460 V 0642M

Typical performance - not guaranteed values.

TORQUES (LB-FT): PO=53.9 PU=22.4 LR=31.8 LRA=46.6



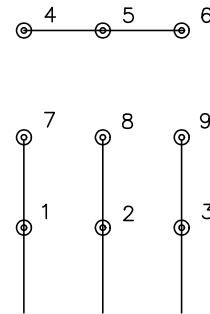
8/15/2024 ACPERF, record # 72834



CD0005

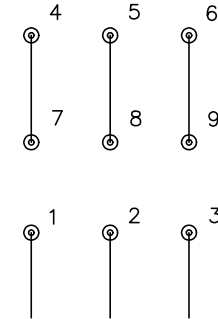


LOW VOLTAGE (2Y)



LINE

HIGH VOLTAGE (1Y)



LINE

NOTES:

1. INTERCHANGE ANY TWO LINE LEADS TO REVERSE ROTATION.
2. OPTIONAL THERMOSTATS ARE PROVIDED WHEN SPECIFIED.
3. ACTUAL NUMBER OF INTERNAL PARALLEL CIRCUITS MAY BE A MULTIPLE OF THOSE SHOWN ABOVE.
4. LEAD COLORS ARE OPTIONAL. LEADS MUST ALWAYS BE NUMBERED AS SHOWN.

CD0005

REV. DESC: REVISE TO SHOW OPTIONAL COLORS			
REV. LTR: E	BY: JLP	REVISED: 01/19/99 10:15	TDR: 0171435
S00000		FILE: AAA00005140	MDL: -
		MTL: -	

BALDOR ELECTRIC Co.

3PH, DV, 9 LEADS