

# **ABB BALDOR RELIANCE III**

---

## **Customer information packet**

### DRX18524T

5HP, 3500//2900RPM, 3PH, 60HZ, 184T, XPFC, F1

Class - CLI GP C,D

Division - Division I

**Specifications**

<b>Enclosure</b>	XPFC
<b>Frame</b>	184T
<b>Frame Material</b>	Iron
<b>Frequency</b>	50.00 Hz 60.00 Hz
<b>Haz Area Class and Group</b>	CLI GP C,D
<b>Haz Area Division</b>	Division I
<b>Motor Letter Type</b>	Three Phase
<b>Output @ Frequency</b>	5.000 HP @ 60 HZ 3.000 HP @ 50 HZ
<b>Phase</b>	3
<b>Synchronous Speed @ Frequency</b>	3600 RPM @ 60 HZ
<b>Voltage @ Frequency</b>	460.0 V @ 60 HZ 190.0 V @ 50 HZ 230.0 V @ 60 HZ 380.0 V @ 50 HZ
<b>Agency Approvals</b>	UL CSA EEV
<b>Ambient Temperature</b>	40 °C
<b>Auxiliary Box</b>	NO AUXILLARY BOX
<b>Auxiliary Box Lead Termination</b>	None
<b>Base Indicator</b>	Rigid
<b>Bearing Grease Type</b>	Polyrex EM (-20F +300F)
<b>Blower</b>	None
<b>Constant Torque Speed Range</b>	6
<b>Current @ Voltage</b>	11.000 A @ 230.0 V 4.200 A @ 380.0 V 5.500 A @ 460.0 V 8.400 A @ 190.0 V
<b>Design Code</b>	A
<b>Drip Cover</b>	No Drip Cover
<b>Duty Rating</b>	CONT

**Part Detail**

<b>Revision</b>	C
<b>Type</b>	AC
<b>Mech. spec.</b>	
<b>Base</b>	
<b>Status</b>	PRD/A
<b>Elec. spec.</b>	06WGW431
<b>Layout</b>	06LY-000-044
<b>Eff. date</b>	02-28-2024
<b>CD Diagram</b>	CD0005
<b>Poles</b>	02
<b>Leads</b>	9#16
<b>Proprietary</b>	False
<b>Created date</b>	03-21-2019

<b>Efficiency @ 100% Load</b>	88.5 %
<b>Electrically Isolated Bearing</b>	Not Electrically Isolated
<b>Feedback Device</b>	NO FEEDBACK
<b>Haz Area Temp Code</b>	T3C
<b>Heater Indicator</b>	No Heater
<b>High Voltage Full Load Amps</b>	4.2 a
<b>Insulation Class</b>	F
<b>Inverter Code</b>	Inverter Duty
<b>IP Rating</b>	NONE
<b>KVA Code</b>	L
<b>Lifting Lugs</b>	Standard Lifting Lugs
<b>Locked Bearing Indicator</b>	Locked Bearing
<b>Max Speed</b>	5400 rpm
<b>Motor Lead Termination</b>	Flying Leads
<b>Motor Standards</b>	NEMA
<b>Motor Type</b>	0640M
<b>Mounting Arrangement</b>	F1
<b>Number of Poles</b>	2
<b>Overall Length</b>	17.56 IN
<b>Power Factor</b>	96
<b>Product Family</b>	General Purpose
<b>Pulley Face Code</b>	Standard
<b>Rodent Screen</b>	None
<b>RoHS Status</b>	ROHS NON-COMPLIANT
<b>Service Factor</b>	1.00
<b>Shaft Diameter</b>	1.125 IN
<b>Shaft Ground Indicator</b>	No Shaft Grounding
<b>Shaft Rotation</b>	Reversible
<b>Speed</b>	3500 rpm
<b>Speed Code</b>	Single Speed
<b>Starting Method</b>	Direct on line
<b>Thermal Device - Bearing</b>	None
<b>Thermal Device - Winding</b>	Normally Closed Thermostat
<b>Vibration Sensor Indicator</b>	No Vibration Sensor

**Winding Thermal 1**

**None**

**Winding Thermal 2**

**None**

---

**Nameplate**

**NP1401XPSLEV**

<b>NO.</b>		<b>CC</b>	010A	
<b>S/N</b>		<b>TEMP CODE</b>	T3C	
<b>SPEC.</b>	06-0000-0055		<b>INV.TYPE</b>	PWM
<b>CAT.NO.</b>	DRX18524T		<b>C HP FR</b>	60
<b>HP</b>	5//3		<b>C HP TO</b>	90
<b>VOLTS</b>	230/460//190/380		<b>CT HZ FROM</b>	6
<b>AMPS</b>	11/5.5//8.4/4.2		<b>CT HZ TO</b>	60
<b>RPM</b>	3500//2900		<b>VT HZ FROM</b>	6
<b>HZ</b>	60//50	<b>PH</b>	3	<b>VT HZ TO</b>
<b>SER.F.</b>	1.00	<b>DES</b>	A	<b>NOM.EFF.</b>
<b>FRAME</b>	184T	<b>CL</b>	F	88.5
		<b>SL HZ</b>	1.7	<b>WK2</b>
		<b>RATING</b>	40C AMB-CONT	
	55C AMB @1.0SF			
	1.15SF SINEWAVE		NEMA MG-1 PT 5,IP55	

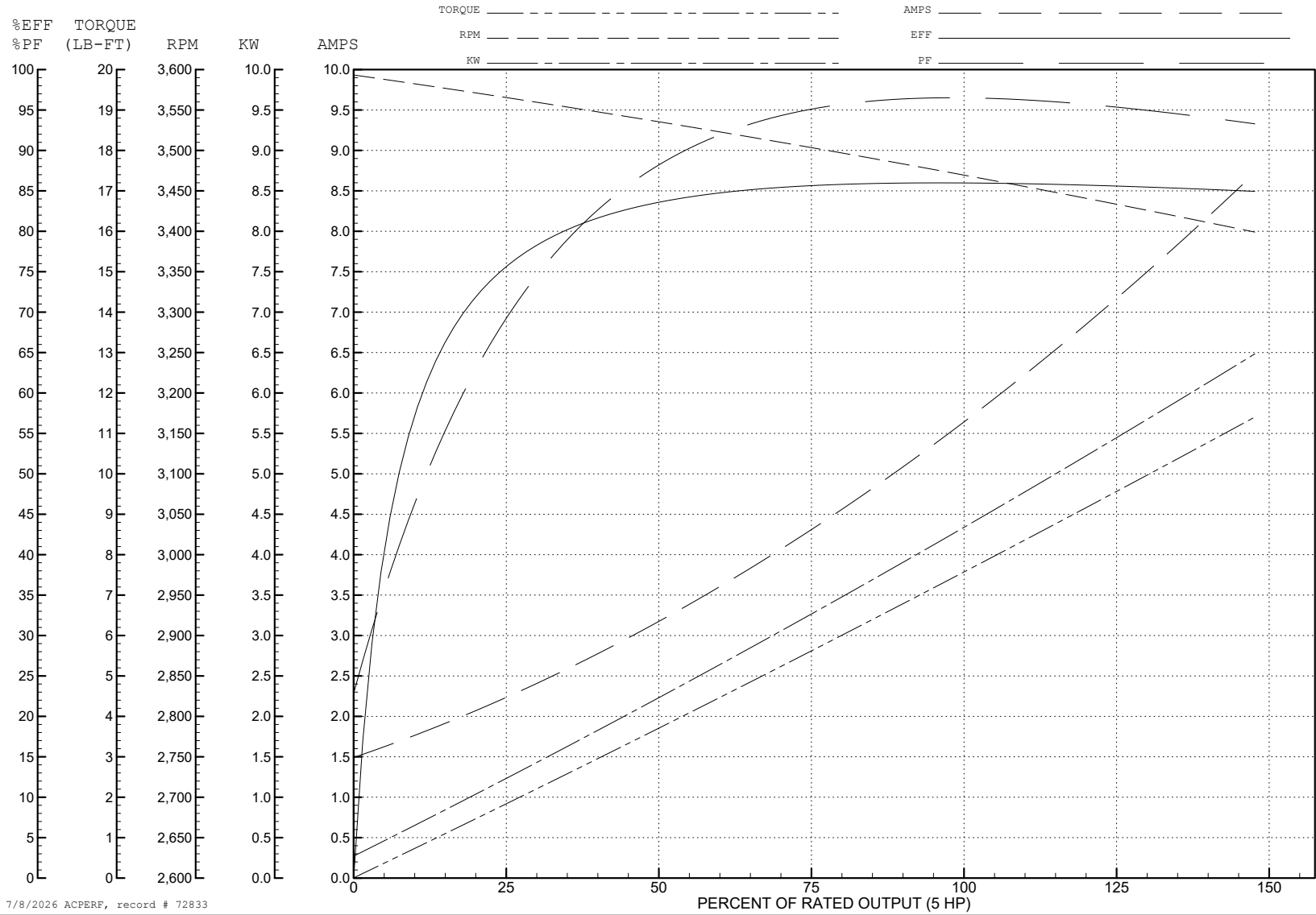
ABB Motors and Mechanical Inc.

WINDING # 06WGW431

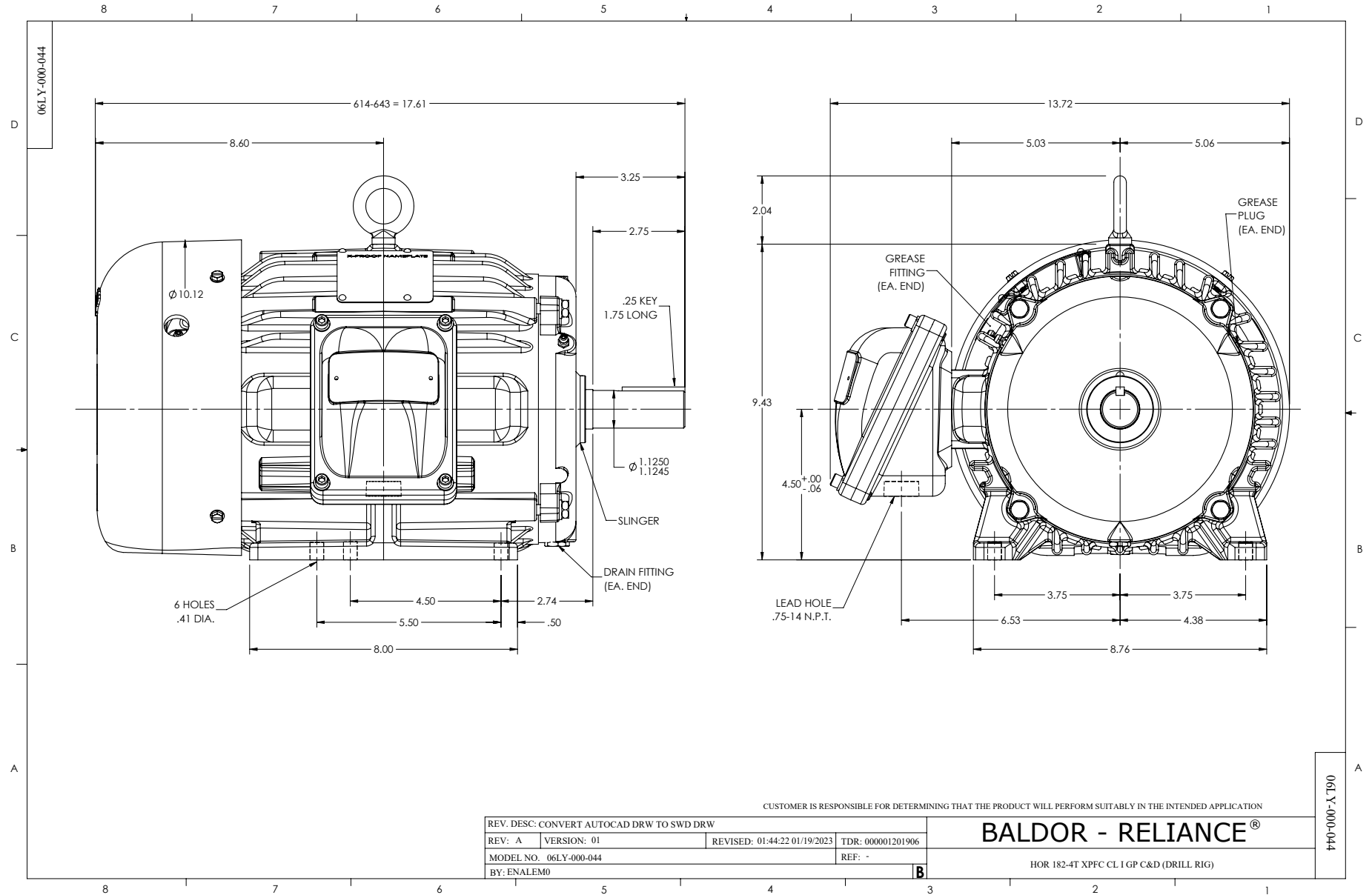
Typical performance - not guaranteed values.

5 HP 3 PH 60 HZ 3470 RPM 460 V 0640M

TORQUES (LB-FT): PO=35.64 PU=26.7 LR=30.8 LRA=62.3



7/8/2026 ACPERF, record # 72833



CD0005



LOW VOLTAGE  
(2Y)



LINE

HIGH VOLTAGE  
(1Y)



LINE

NOTES:

1. INTERCHANGE ANY TWO LINE LEADS TO REVERSE ROTATION.
2. OPTIONAL THERMOSTATS ARE PROVIDED WHEN SPECIFIED.
3. ACTUAL NUMBER OF INTERNAL PARALLEL CIRCUITS MAY BE A MULTIPLE OF THOSE SHOWN ABOVE.
4. LEAD COLORS ARE OPTIONAL. LEADS MUST ALWAYS BE NUMBERED AS SHOWN.

CD0005

REV. DESC: REVISE TO SHOW OPTIONAL COLORS			
REV. LTR: E	BY: JLP	REVISED: 01/19/99 10:15	TDR: 0171435
S00000		FILE: AAA00005140	MDL: -
		MTL: -	

**BALDOR ELECTRIC Co.**

3PH, DV, 9 LEADS