

ABB BALDOR RELIANCE III

Customer information packet

DRX18524T-5

5HP, 3500RPM, 3PH, 60HZ, 184T, XPFC, F1

Class - CLI GP C,D

Division - Division I

Specifications

Enclosure	XPFC
Frame	184T
Frame Material	Iron
Frequency	60.00 Hz
Haz Area Class and Group	CLI GP C,D
Haz Area Division	Division I
Motor Letter Type	Three Phase
Output @ Frequency	5.000 HP @ 60 HZ
Phase	3
Synchronous Speed @ Frequency	3600 RPM @ 60 HZ
Voltage @ Frequency	575.0 V @ 60 HZ
Agency Approvals	CSA EEV UL
Ambient Temperature	40 °C
Auxiliary Box	NO AUXILLARY BOX
Auxiliary Box Lead Termination	None
Base Indicator	Rigid
Bearing Grease Type	Polyrex EM (-20F +300F)
Blower	None
Constant Torque Speed Range	6
Current @ Voltage	4.500 A @ 575.0 V
Design Code	A
Drip Cover	No Drip Cover
Duty Rating	CONT
Efficiency @ 100% Load	88.5 %
Electrically Isolated Bearing	Not Electrically Isolated
Feedback Device	NO FEEDBACK
Haz Area Temp Code	T3C
Heater Indicator	No Heater
High Voltage Full Load Amps	4.5 a
Insulation Class	F
Inverter Code	Inverter Duty

Part Detail

Revision	C
Type	AC
Mech. spec.	
Base	
Status	PRD/A
Elec. spec.	06WGW434
Layout	06LY-000-044
Eff. date	02-28-2024
CD Diagram	CD0006
Poles	02
Leads	3#16
Proprietary	False
Created date	07-17-2019

IP Rating	NONE
KVA Code	L
Lifting Lugs	Standard Lifting Lugs
Locked Bearing Indicator	Locked Bearing
Max Speed	5400 rpm
Motor Lead Termination	Flying Leads
Motor Standards	NEMA
Motor Type	0640M
Mounting Arrangement	F1
Number of Poles	2
Overall Length	17.56 IN
Power Factor	96
Product Family	General Purpose
Pulley Face Code	Standard
Rodent Screen	None
RoHS Status	ROHS NON-COMPLIANT
Service Factor	1.00
Shaft Diameter	1.125 IN
Shaft Ground Indicator	No Shaft Grounding
Shaft Rotation	Reversible
Speed	3500 rpm
Speed Code	Single Speed
Starting Method	Direct on line
Thermal Device - Bearing	None
Thermal Device - Winding	Normally Closed Thermostat
Vibration Sensor Indicator	No Vibration Sensor
Winding Thermal 1	None
Winding Thermal 2	None

Nameplate

NP1401XPSLEV

NO.		CC	010A	
S/N		TEMP CODE	T3C	
SPEC.	06-0000-0170	INV.TYPE	PWM	
CAT.NO.	DRX18524T-5	C HP FR	60	C HP TO 90
HP	5	CT HZ FROM	6	CT HZ TO 60
VOLTS	575	VT HZ FROM	6	VT HZ TO 60
AMPS	4.5	MAG CUR	1.2	
RPM	3500	MX RPM	5400	
HZ	60	PH	3	CL F
		NOM.EFF.	88.5	
SER.F.	1.00	DES	A	SL HZ 2.1
		WK2	0.18	
FRAME	184T	RATING	40C AMB-CONT	
	55C AMB @1.0SF			
	1.15SF SINEWAVE		NEMA MG-1 PT 5,IP55	

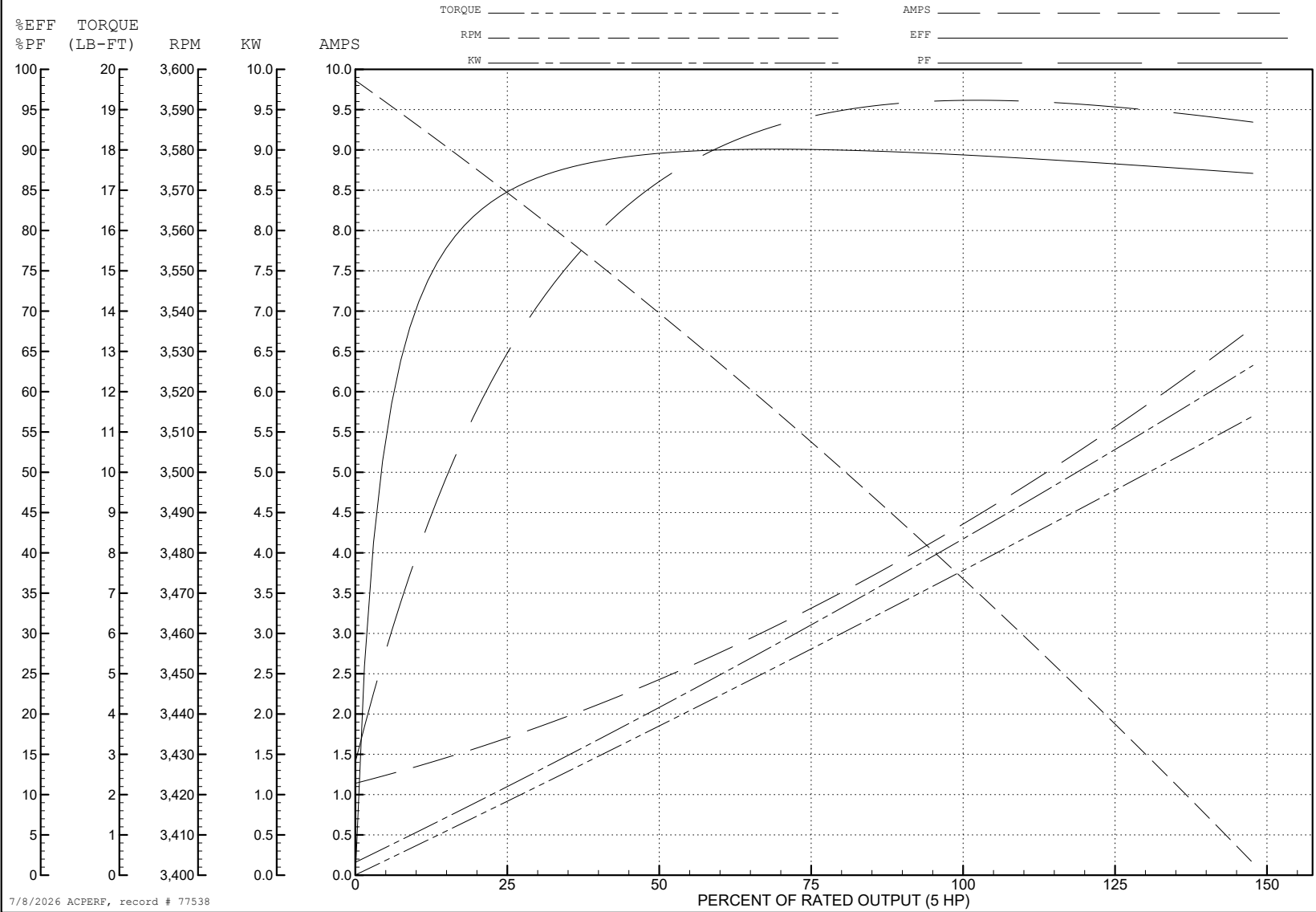
ABB Motors and Mechanical Inc.

WINDING # 06WGW434

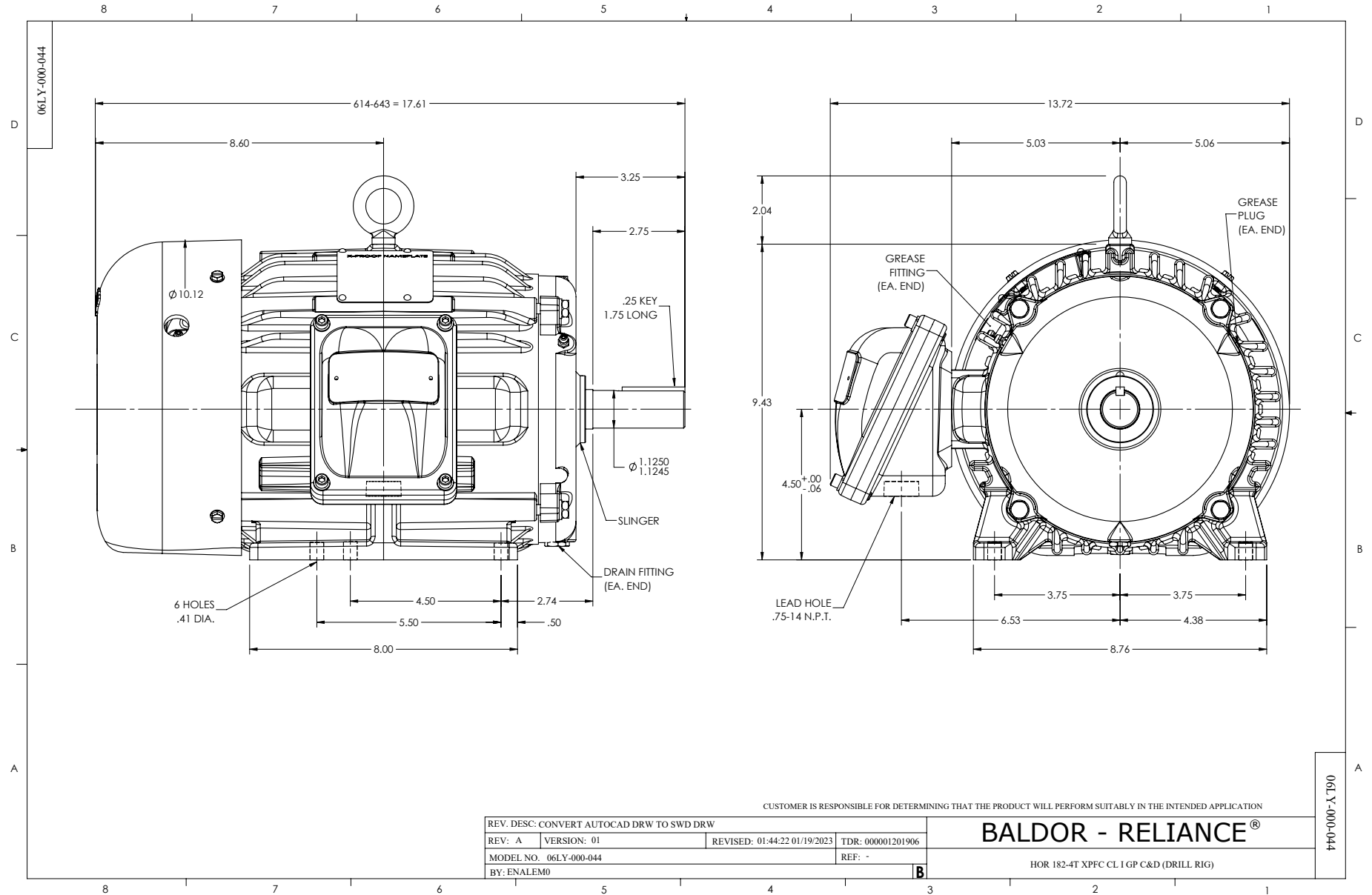
5 HP 3 PH 60 HZ 3500 RPM 575 V 0640M

Typical performance - not guaranteed values.

TORQUES (LB-FT): PO=35.9 PU=26.7 LR=30.8 LRA=50.6



7/8/2026 ACPERF, record # 77538



CD0006



NOTES:

1. THREE LEAD MOTOR MAY BE EITHER WYE CONNECTED OR DELTA CONNECTED.
2. INTERCHANGE ANY TWO LINE LEADS TO REVERSE ROTATION.
3. OPTIONAL THERMOSTATS ARE PROVIDED WHEN SPECIFIED.
4. ACTUAL NUMBER OF INTERNAL PARALLEL CIRCUITS MAY VARY.
5. LEAD COLORS ARE OPTIONAL. LEADS MUST BE NUMBERED AS SHOWN.

CD0006

REV. DESC: ADD CLASS CONN00000007		
REV. LTR: E	VERSION: 01	TDR: 000001099922
FILE: \AAA\00005\141	REVISED: 10:24:49 02/19/2019	BY: ENBRIRO
MTL: -	© □	

BALDOR - RELIANCE®

3PH, SV, 3 LEADS, WYE OR DELTA CONNECTED

SH 1 of 1