

ABB BALDOR RELIANCE III

Customer information packet

DRX18324T

3HP, 3470//2890RPM, 3PH, 60/50HZ, 182T, XPFC,

Class - CLI GP C,D

Division - Division I

Specifications

Enclosure	XPFC
Frame	182T
Frame Material	Iron
Frequency	50.00 Hz 60.00 Hz
Haz Area Class and Group	CLI GP C,D
Haz Area Division	Division I
Motor Letter Type	Three Phase
Output @ Frequency	3.000 HP @ 60 HZ 2.000 HP @ 50 HZ
Phase	3
Synchronous Speed @ Frequency	3600 RPM @ 60 HZ
Voltage @ Frequency	460.0 V @ 60 HZ 190.0 V @ 50 HZ 230.0 V @ 60 HZ 380.0 V @ 50 HZ
Agency Approvals	UL CSA EEV
Ambient Temperature	40 °C
Auxiliary Box	NO AUXILLARY BOX
Auxiliary Box Lead Termination	None
Base Indicator	Rigid
Bearing Grease Type	Polyrex EM (-20F +300F)
Blower	None
Constant Torque Speed Range	6
Current @ Voltage	3.200 A @ 380.0 V 3.800 A @ 460.0 V 6.400 A @ 190.0 V 7.600 A @ 230.0 V
Design Code	B
Drip Cover	No Drip Cover
Duty Rating	CONT

Part Detail

Revision	B
Type	AC
Mech. spec.	
Base	
Status	PRD/A
Elec. spec.	06WGY471
Layout	06LY-000-044
Eff. date	02-28-2024
CD Diagram	CD0005
Poles	02
Leads	9#16
Proprietary	False
Created date	08-05-2019

Efficiency @ 100% Load	86.5 %
Electrically Isolated Bearing	Not Electrically Isolated
Feedback Device	NO FEEDBACK
Haz Area Temp Code	T3C
Heater Indicator	No Heater
High Voltage Full Load Amps	3.2 a
Insulation Class	F
Inverter Code	Inverter Duty
IP Rating	NONE
KVA Code	K
Lifting Lugs	Standard Lifting Lugs
Locked Bearing Indicator	Locked Bearing
Max Speed	5400 rpm
Motor Lead Termination	Flying Leads
Motor Standards	NEMA
Motor Type	0618M
Mounting Arrangement	F1
Number of Poles	2
Overall Length	17.56 IN
Power Factor	89
Product Family	General Purpose
Pulley Face Code	Standard
Rodent Screen	None
RoHS Status	ROHS NON-COMPLIANT
Service Factor	1.00
Shaft Diameter	1.125 IN
Shaft Ground Indicator	No Shaft Grounding
Shaft Rotation	Reversible
Speed	3470 rpm
Speed Code	Single Speed
Starting Method	Direct on line
Thermal Device - Bearing	None
Thermal Device - Winding	Normally Closed Thermostat
Vibration Sensor Indicator	No Vibration Sensor

Winding Thermal 1

None

Winding Thermal 2

None

Nameplate

NP1401XPSLEV

NO.		CC	010A		
S/N		TEMP CODE	T3C		
SPEC.	06-0000-0200	INV.TYPE	PWM		
CAT.NO.	DRX18324T	C HP FR	60	C HP TO	90
HP	3//2	CT HZ FROM	6	CT HZ TO	60
VOLTS	230/460//190/380	VT HZ FROM	6	VT HZ TO	60
AMPS	7.6/3.8//6.4/3.2	MAG CUR	3.2/1.6		
RPM	3470//2890	MX RPM	5400		
HZ	60//50	PH	3	CL	F
		NOM.EFF.	86.5		
SER.F.	1.00	DES	B	SL HZ	2.2
		WK2	0.079		
FRAME	182T	RATING	40C AMB-CONT		
	55C AMB @1.0SF				
	1.15SF SINEWAVE		NEMA MG-1 PT 5,IP55		

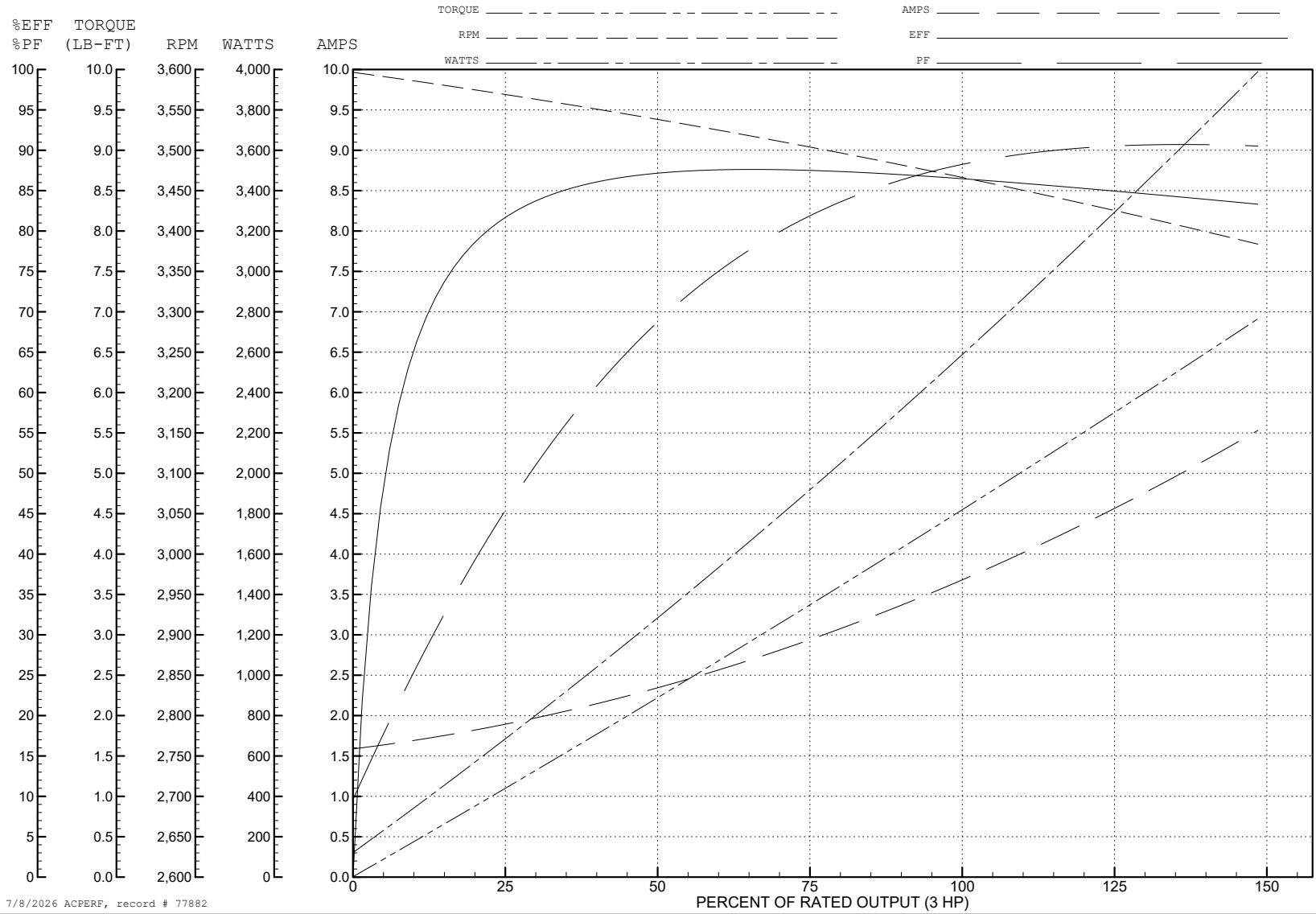
ABB Motors and Mechanical Inc.

WINDING # 06WGY471

3 HP 3 PH 60 HZ 3468 RPM 460 V 0618M

Typical performance - not guaranteed values.

TORQUES (LB-FT): PO=25.5 PU=9.08 LR=11.9 LRA=29.3



7/8/2026 ACPERF, record # 77882

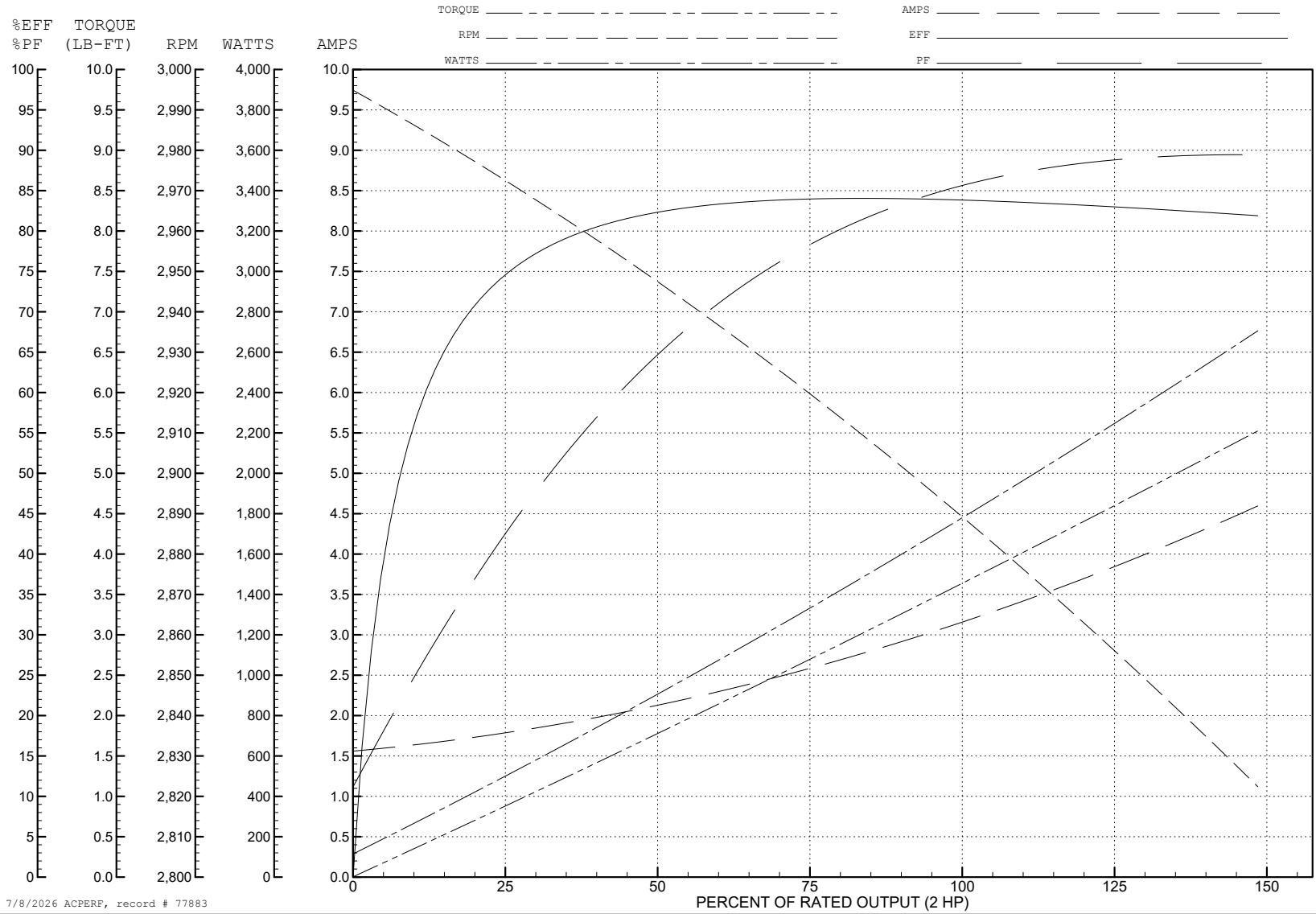
ABB Motors and Mechanical Inc.

WINDING # 06WGY471

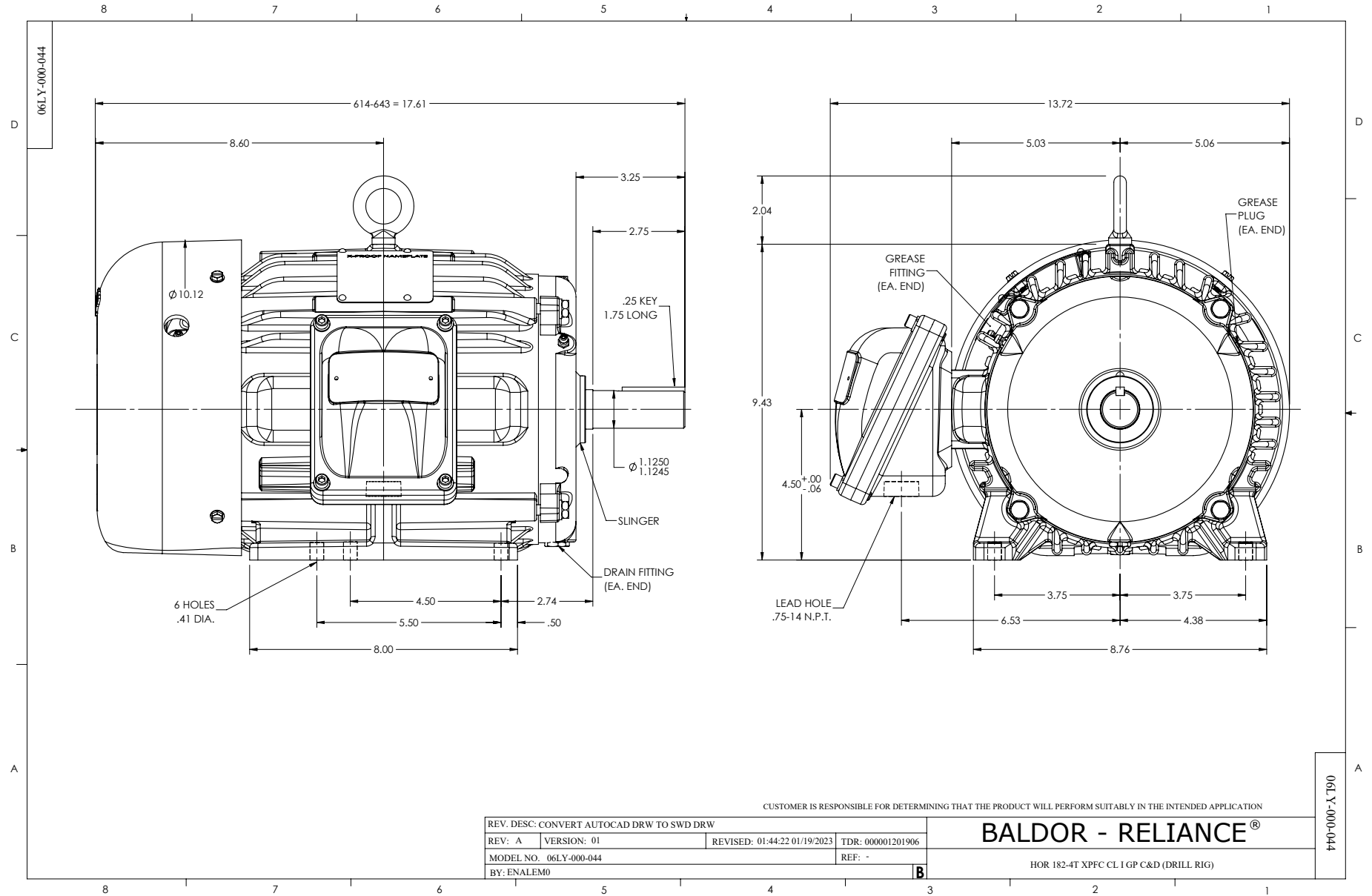
Typical performance - not guaranteed values.

2 HP 3 PH 50 HZ 2890 RPM 380 V 0618M

TORQUES (LB-FT): PO=23.13 PU=9.15 LR=11.99 LRA=27.03



7/8/2026 ACPERF, record # 77883



CD0005

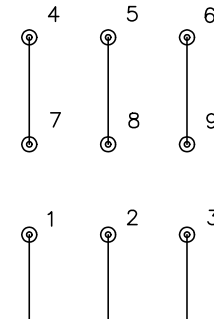


LOW VOLTAGE
(2Y)



LINE

HIGH VOLTAGE
(1Y)



LINE

NOTES:

1. INTERCHANGE ANY TWO LINE LEADS TO REVERSE ROTATION.
2. OPTIONAL THERMOSTATS ARE PROVIDED WHEN SPECIFIED.
3. ACTUAL NUMBER OF INTERNAL PARALLEL CIRCUITS MAY BE A MULTIPLE OF THOSE SHOWN ABOVE.
4. LEAD COLORS ARE OPTIONAL. LEADS MUST ALWAYS BE NUMBERED AS SHOWN.

CD0005

REV. DESC: REVISE TO SHOW OPTIONAL COLORS			
REV. LTR: E	BY: JLP	REVISED: 01/19/99 10:15	TDR: 0171435
S00000		FILE: AAA00005140	MDL: -
		MTL: -	

BALDOR ELECTRIC Co.

3PH, DV, 9 LEADS