

BALDOR • RELIANCE

Customer information packet

DRX14244T-5

2HP, 1765RPM, 3PH, 60HZ, 145T, 3528M, XPFC, F1

Class - CLI GP C,D

Division - Division I

Specifications

Enclosure	XPFC
Frame	145T
Frame Material	Steel
Frequency	60.00 Hz
Haz Area Class and Group	CLI GP C,D
Haz Area Division	Division I
Motor Letter Type	Three Phase
Output @ Frequency	2.000 HP @ 60 HZ
Phase	3
Synchronous Speed @ Frequency	1800 RPM @ 60 HZ
Voltage @ Frequency	575.0 V @ 60 HZ
Agency Approvals	UL CSA EEV
Ambient Temperature	40 °C
Auxillary Box	No Auxillary Box
Auxillary Box Lead Termination	None
Base Indicator	Rigid
Bearing Grease Type	Polyrex EM (-20F +300F)
Blower	None
Constant Torque Speed Range	6
Current @ Voltage	2.300 A @ 575.0 V
Design Code	B
Drip Cover	No Drip Cover
Duty Rating	CONT
Efficiency @ 100% Load	86.5 %
Electrically Isolated Bearing	Not Electrically Isolated
Feedback Device	NO FEEDBACK
Haz Area Temp Code	T3C
Heater Indicator	No Heater
High Voltage Full Load Amps	2.3 a
Insulation Class	F
Inverter Code	Inverter Duty

Part detail

Revision	A
Type	AC
Mech. spec.	
Base	
Status	PRD/A
Elec. spec.	35WGG113
Layout	35LYX081
Eff. date	07-14-2022
CD Diagram	CD0006
Poles	04
Leads	3#18
Proprietary	False
Created date	10-28-2021

KVA Code	L
Lifting Lugs	No Lifting Lugs
Locked Bearing Indicator	Locked Bearing
Max Speed	2700 rpm
Motor Lead Termination	Flying Leads
Motor Standards	NEMA
Motor Type	3528M
Mounting Arrangement	F1
Number of Poles	4
Overall Length	15.09 IN
Power Factor	76
Product Family	General Purpose
Pulley Face Code	Standard
Rodent Screen	None
Service Factor	1.00
Shaft Diameter	0.875 IN
Shaft Ground Indicator	No Shaft Grounding
Shaft Rotation	Reversible
Speed	1765 rpm
Speed Code	Single Speed
Starting Method	Direct on line
Thermal Device - Bearing	None
Thermal Device - Winding	Normally Closed Thermostat
Vibration Sensor Indicator	No Vibration Sensor
Winding Thermal 1	None
Winding Thermal 2	None

Nameplate

NP1401XPSLEV										
NO.		CC	010A							
S/N		TEMP CODE	T3C							
SPEC.	35-0000-1375		INV.TYPE	PWM						
CAT.NO.	DRX14244T-5		C HP FR	60	C HP TO	90				
HP	2		CT HZ FROM	6	CT HZ TO	60				
VOLTS	575		VT HZ FROM	6	VT HZ TO	60				
AMPS	2.3		MAG CUR	1.4						
RPM	1765		MX RPM	2700						
HZ	60	PH	3	CL	F	NOM.EFF.	86.5			
SER.F.	1.00	DES	B	SL HZ	1.2	WK2	0.202			
FRAME	145T	RATING	40C AMB-CONT							
	55C AMB @ 1.0 SF									
	1.15 SF SINEWAVE		NEMA MG-1 PT 5, IP55							
	SFA 2.3									

AC Induction Motor Performance Data

Record # 87426

Typical performance - not guaranteed values

Winding: 35WGG113-R005		Type: 3528M		Enclosure: XPFC	
Nameplate Data			575 V, 60 Hz: Single Voltage Motor		
Rated Output (HP)		2	Full Load Torque		5.95 LB-FT
Volts		575	Start Configuration		direct on line
Full Load Amps		2.15	Breakdown Torque		23.7 LB-FT
R.P.M.		1764	Pull-up Torque		14.43 LB-FT
Hz	60 Phase	3	Locked-rotor Torque		17.45 LB-FT
NEMA Design Code	B KVA Code	L	Starting Current		19.89 A
Service Factor (S.F.)		1	No-load Current		1.39 A
NEMA Nom. Eff.	86.5 Power Factor	80	Line-line Res. @ 25°C		15 Ω
Rating - Duty		40C AMB-CONT	Temp. Rise @ Rated Load		58°C
			Locked-rotor Power Factor		57
			Rotor inertia		0.188 lb-ft ²

Load Characteristics 575 V, 60 Hz, 2 HP

% of Rated Load	25	50	75	100	125	150
Power Factor	34	54	68	76	81	84
Efficiency	77	84.7	86.6	86.3	85.3	83.7
Speed	1791	1783	1775	1766	1757	1745
Line amperes	1.45	1.64	1.93	2.29	2.74	3.19

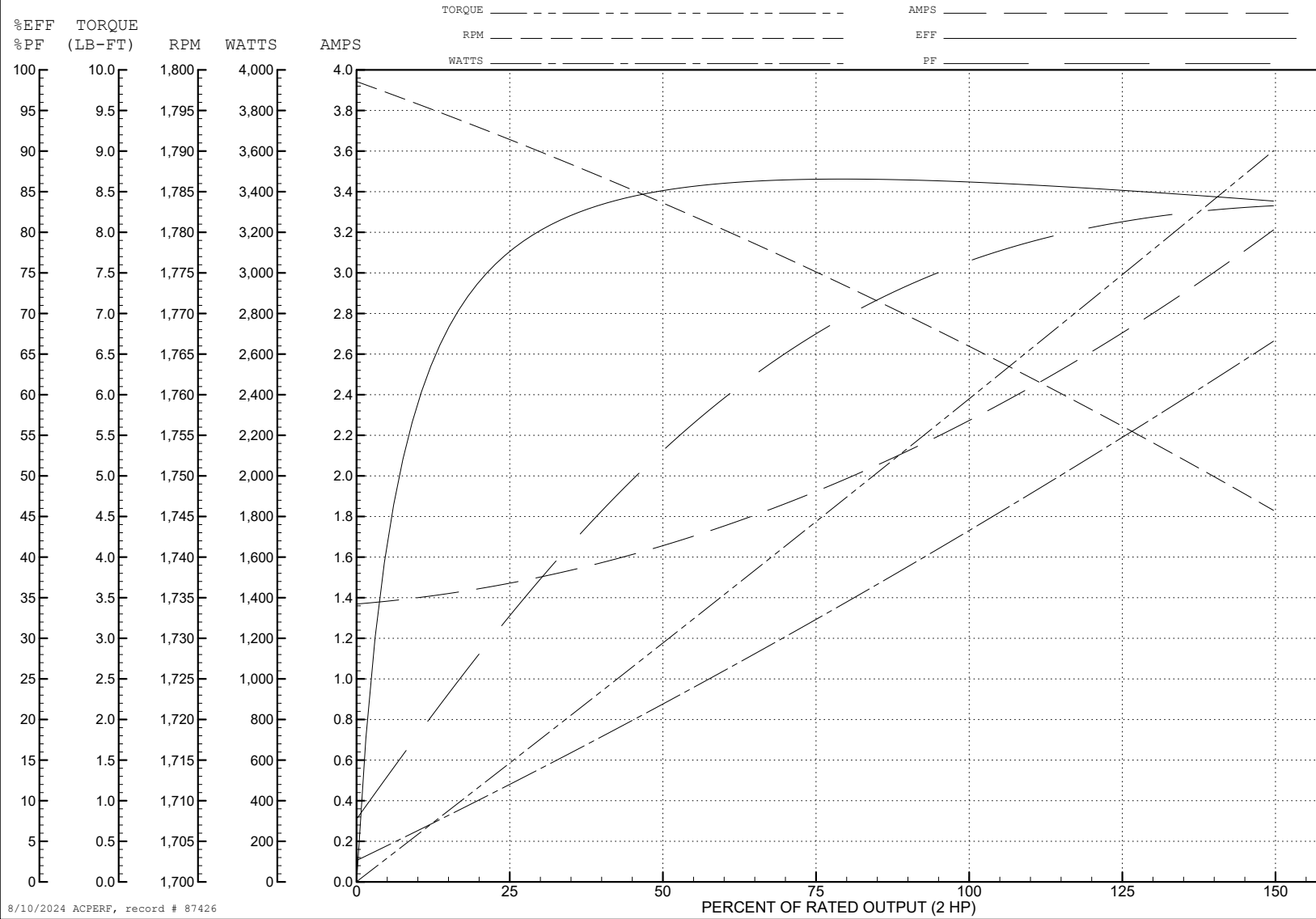
ABB Motors and Mechanical Inc.

WINDING # 35WGG113

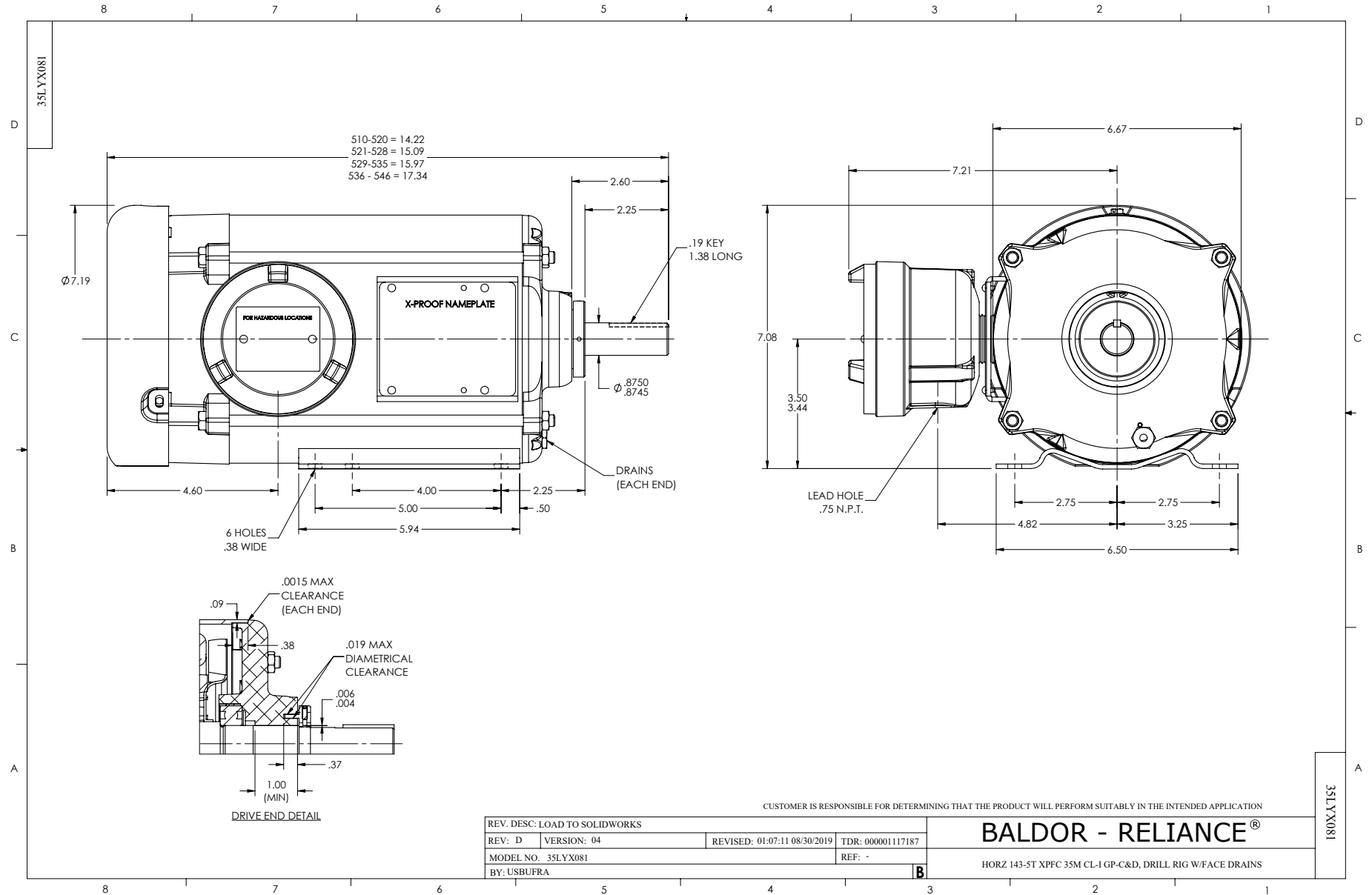
2 HP 3 PH 60 HZ 1764 RPM 575 V 3528M

Typical performance - not guaranteed values.

TORQUES (LB-FT): PO=23.7 PU=14.43 LR=17.45 LRA=19.89



8/10/2024 ACPERF, record # 87426



CD0006



NOTES:

1. THREE LEAD MOTOR MAY BE EITHER WYE CONNECTED OR DELTA CONNECTED.
2. INTERCHANGE ANY TWO LINE LEADS TO REVERSE ROTATION.
3. OPTIONAL THERMOSTATS ARE PROVIDED WHEN SPECIFIED.
4. ACTUAL NUMBER OF INTERNAL PARALLEL CIRCUITS MAY VARY.
5. LEAD COLORS ARE OPTIONAL. LEADS MUST BE NUMBERED AS SHOWN.

CD0006

REV. DESC: ADD CLASS CONN00000007		
REV. LTR: E	VERSION: 01	TDR: 000001099922
FILE: \AAA\00005\141	REVISED: 10:24:49 02/19/2019	BY: ENBRIRO
MTL: -	© □	

BALDOR - RELIANCE®

3PH, SV, 3 LEADS, WYE OR DELTA CONNECTED

SH 1 of 1