

**BALDOR • RELIANCE**

---

# Customer information packet

## DMG2320

0288AT, 20KWKW, 1750RPM, 230, 230, DPGF, F2

**Specifications**

<b>Armature Voltage</b>	230 V
<b>Base Speed</b>	1750 rpm
<b>Enclosure</b>	DPFG
<b>Field Voltage</b>	230 V
<b>Frame</b>	288AT
<b>Output Power</b>	20.000 KW
<b>Agency Approvals</b>	CSA
<b>Ambient Temperature</b>	40 °C
<b>Armature Current</b>	87.0 a
<b>Drip Cover</b>	No Drip Cover
<b>Duty Rating</b>	CONT
<b>Feedback Device</b>	NO FEEDBACK
<b>Field Winding Type</b>	COMPOUND
<b>Heater Indicator</b>	No Heater
<b>Insulation Class</b>	F
<b>Lifting Lugs</b>	Standard Lifting Lugs
<b>Motor Standards</b>	NEMA
<b>Mounting Arrangement</b>	F2
<b>Overall Length</b>	32.00 IN
<b>Service Factor</b>	1.00
<b>Shaft Diameter</b>	1.875 IN
<b>Shaft Ground Indicator</b>	No Shaft Grounding
<b>Shaft Slinger Indicator</b>	No Slinger
<b>Thermal Device - Bearing</b>	None

**Part detail**

<b>Revision</b>	C
<b>Type</b>	DC
<b>Mech. spec.</b>	
<b>Base</b>	
<b>Status</b>	PRD/A
<b>Elec. spec.</b>	K0076A
<b>Layout</b>	1486
<b>Eff. date</b>	10-22-2021
<b>CD Diagram</b>	
<b>Poles</b>	00
<b>Leads</b>	
<b>Proprietary</b>	False
<b>Created date</b>	11-21-2019

**Nameplate**

**15405**

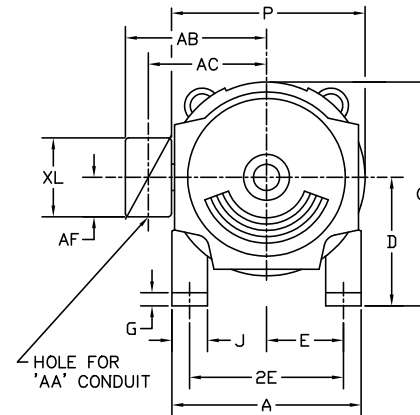
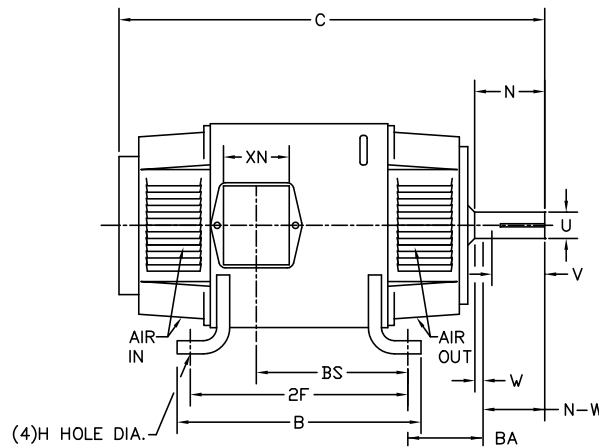
<b>CAT.NO.</b>	DMG2320	<b>MODEL NO.</b>	T28S8007		
<b>KW</b>	20KW	<b>RPM</b>	1750	<b>FRAME</b>	0288AT
<b>ARM VOLTS</b>	230	<b>ARM AMPS</b>	87.00	<b>WOUND</b>	COMPOUND
<b>FIELD VOLTS</b>	230	<b>FIELD AMPS</b>	2.93-1.80		
<b>FIELD CONN.</b>		<b>OHMS</b>	78.5	<b>INSUL. CLASS</b>	F
<b>ENCL</b>	DPFG	<b>DUTY</b>	CONT	<b>MAX AMBIENT</b>	40
<b>SERVICE FACTOR</b>	1.0				
<b>S/N</b>		<b>E/S</b>	K0076A		
	BRUSH:28610-1				
<b>O.D.E. BRG.</b>	6209	<b>D.E. BRG.</b>	6210	<b>BRUSH</b>	28610-1
				<b>QTY</b>	4

**Accessories**

<b>Part number</b>	<b>Description</b>	<b>Multiplier</b>
93EP5000A02	C-FACE CONVERSION KIT FOR STOCK MTR,FR 2	



1486



FRAME	FOOT MOUNTING						D.E. SHAFT EXTENSION					DRIVE KEY		FRAME					
	BA	E	2F	G	H	J	N	N-W	U	V	W	KEY-SQ.	KEY-LONG	A	B	C	D	O	P
1810AT	2.75	3.75	11.00	.38	.406	1.50	2.90	2.77	1.125 <sup>1</sup>	2.50 <sup>3</sup>	.13	.250	1.38	8.75	12.25	21.46	4.50 <sup>2</sup>	9.00	9.00
219AT	3.50	4.25	11.00	.50	.406	2.00	3.00	2.75	1.375 <sup>1</sup>	2.50 <sup>3</sup>	.25	.312	1.75	10.38	12.00	24.50	5.25 <sup>2</sup>	10.47	10.44
258AT	4.25	5.00	12.50	.69	.531	2.25	3.44	3.25	1.625 <sup>1</sup>	3.00 <sup>3</sup>	.19	.375	2.31	12.38	14.00	26.50	6.25 <sup>2</sup>	12.47	12.44
259AT	4.25	5.00	14.00	.69	.531	2.25	3.44	3.25	1.625 <sup>1</sup>	3.00 <sup>3</sup>	.19	.375	2.31	12.38	15.50	28.00	6.25 <sup>2</sup>	12.47	12.44
288AT	4.75	5.50	14.00	.69	.531	2.50	3.91	3.75	1.875 <sup>1</sup>	3.50 <sup>3</sup>	.16	.500	2.50	13.81	15.62	32.00	7.00 <sup>2</sup>	13.88	13.75
328AT	5.25	6.25	16.00	.81	.656	3.00	4.40	4.25	2.125 <sup>1</sup>	4.00 <sup>3</sup>	.15	.500	3.12	15.88	17.75	34.63	8.00 <sup>2</sup>	15.94	15.88
329AT	5.25	6.25	18.00	.81	.656	3.00	4.40	4.25	2.125 <sup>1</sup>	4.00 <sup>3</sup>	.15	.500	3.12	15.88	19.75	36.63	8.00 <sup>2</sup>	15.94	15.88

FRAME	CONDUIT BOX							APPROXIMATE WEIGHT
	AA	AB	AC	AF	BS	XL	XN	
1810AT	3/4NPT	INTEGRAL WITH ENDPLATE						195
219AT	3/4-1	7.91	6.44	2.44	9.38	3.81	3.12	260
258AT	1-1/4	9.35	7.72	2.94	9.75	4.94	4.00	366
259AT	1-1/4	9.35	7.72	2.94	11.25	4.94	4.00	411
288AT	1-1/4	11.88	9.25	5.00	12.64	7.88	5.25	566
328AT	2	12.94	10.32	5.00	13.68	7.88	5.25	775
329AT	2	12.94	10.32	5.00	15.68	7.88	5.25	884

- 1) SHAFT DIAMETERS TO 1.500 TOLERANCE +.0000 - .0005  
SHAFT DIAMETERS ABOVE 1.500 TOLERANCE +.0000 - .0010  
SHAFT DIAMETERS TO 1.625 RUNOUT .002 T.I.R. MAX.  
SHAFT DIAMETERS ABOVE 1.625 RUNOUT .003 T.I.R. MAX.
- 2) 'D' DIMENSION TOLERANCE +.000 - .030
- 3) 'V' DIMENSION IS MAX. HUB LENGTH ON SHAFT
- 4) CONDUIT BOX CAN BE ROTATED IN 90° STEPS ON ITS OWN AXIS.
- 5) ALL DIMENSIONS NOT NOTED ARE NOMINAL DIMENSIONS CONSULT FACTORY FOR TOLERANCES.

FOR F1 OR F2 CONDUIT BOX  
LOCATION SEE SALES ORDER

1486

MATERIAL: -			
REV:	C	CORRECTED "A" DIMENSIONS	
9871	SCALE: 0.08	BY: TBM	REVISED: 09/10/96
	FILE: CHB00003091	TDR: 0104915	

**BALDOR ELECTRIC Co.**

DIM SHEET, 1810AT THRU 329AT GENERATORS