

BALDOR • RELIANCE

Customer information packet

DMG2310

10KW, 2500RPM, DC, 219AT, DPF, F2

Specifications

Armature Voltage	230 V
Base Speed	2500 rpm
Enclosure	DPFG
Field Voltage	230 V
Frame Material	Steel
Output Power	10.000 KW
Agency Approvals	CSA
Ambient Temperature	40 °C
Armature Current	43.5 a
Bearing Grease Type	Polyrex EM (-20F +300F)
Drip Cover	No Drip Cover
Duty Rating	CONT
Feedback Device	NO FEEDBACK
Field Winding Type	COMPOUND
Heater Indicator	No Heater
Insulation Class	F
Lifting Lugs	Standard Lifting Lugs
Motor Standards	NEMA
Mounting Arrangement	F2
Overall Length	24.50 IN
Service Factor	1.00
Shaft Diameter	1.375 IN
Shaft Ground Indicator	No Shaft Grounding
Shaft Slinger Indicator	No Slinger
Thermal Device - Bearing	None

Part detail

Revision	B
Type	DC
Mech. spec.	
Base	
Status	PRD/A
Elec. spec.	K0002A
Layout	1486
Eff. date	08-18-2022
CD Diagram	
Poles	00
Leads	
Proprietary	False
Created date	12-12-2019

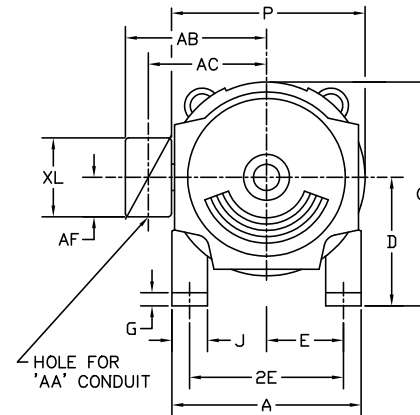
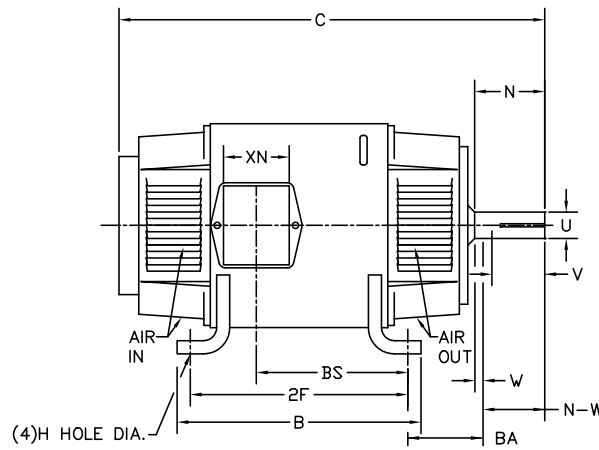
Nameplate

15405										
CAT.NO.		MODEL NO.	T21S8001							
KW	10 KW	RPM	2500	FRAME	0219AT					
ARM VOLTS	230	ARM AMPS	43.50	WOUND	COMPOUND					
FIELD VOLTS	230	FIELD AMPS	.81							
FIELD CONN.		OHMS	188.5	INSUL. CLASS	F					
ENCL	DPFG	DUTY	CONT	MAX AMBIENT	40					
SERVICE FACTOR	1.0									
S/N		E/S	K0002A							
	-									
O.D.E. BRG.	6207	D.E. BRG.	6207	BRUSH	150986-21-1				QTY	2

Accessories

Part number	Description	Multiplier
91EP5000A01	C-FACE CONVERSION KIT FOR STOCK MTR,FR 2	P1

1486



FRAME	FOOT MOUNTING						D.E. SHAFT EXTENSION					DRIVE KEY		FRAME					
	BA	E	2F	G	H	J	N	N-W	U	V	W	KEY-SQ.	KEY-LONG	A	B	C	D	O	P
1810AT	2.75	3.75	11.00	.38	.406	1.50	2.90	2.77	1.125 ¹	2.50 ³	.13	.250	1.38	8.75	12.25	21.46	4.50 ²	9.00	9.00
219AT	3.50	4.25	11.00	.50	.406	2.00	3.00	2.75	1.375 ¹	2.50 ³	.25	.312	1.75	10.38	12.00	24.50	5.25 ²	10.47	10.44
258AT	4.25	5.00	12.50	.69	.531	2.25	3.44	3.25	1.625 ¹	3.00 ³	.19	.375	2.31	12.38	14.00	26.50	6.25 ²	12.47	12.44
259AT	4.25	5.00	14.00	.69	.531	2.25	3.44	3.25	1.625 ¹	3.00 ³	.19	.375	2.31	12.38	15.50	28.00	6.25 ²	12.47	12.44
288AT	4.75	5.50	14.00	.69	.531	2.50	3.91	3.75	1.875 ¹	3.50 ³	.16	.500	2.50	13.81	15.62	32.00	7.00 ²	13.88	13.75
328AT	5.25	6.25	16.00	.81	.656	3.00	4.40	4.25	2.125 ¹	4.00 ³	.15	.500	3.12	15.88	17.75	34.63	8.00 ²	15.94	15.88
329AT	5.25	6.25	18.00	.81	.656	3.00	4.40	4.25	2.125 ¹	4.00 ³	.15	.500	3.12	15.88	19.75	36.63	8.00 ²	15.94	15.88

FRAME	CONDUIT BOX							APPROXIMATE WEIGHT
	AA	AB	AC	AF	BS	XL	XN	
1810AT	3/4NPT	INTEGRAL WITH ENDPLATE						195
219AT	3/4-1	7.91	6.44	2.44	9.38	3.81	3.12	260
258AT	1-1/4	9.35	7.72	2.94	9.75	4.94	4.00	366
259AT	1-1/4	9.35	7.72	2.94	11.25	4.94	4.00	411
288AT	1-1/4	11.88	9.25	5.00	12.64	7.88	5.25	566
328AT	2	12.94	10.32	5.00	13.68	7.88	5.25	775
329AT	2	12.94	10.32	5.00	15.68	7.88	5.25	884

- 1) SHAFT DIAMETERS TO 1.500 TOLERANCE +.0000 - .0005
SHAFT DIAMETERS ABOVE 1.500 TOLERANCE +.0000 - .0010
SHAFT DIAMETERS TO 1.625 RUNOUT .002 T.I.R. MAX.
SHAFT DIAMETERS ABOVE 1.625 RUNOUT .003 T.I.R. MAX.
- 2) 'D' DIMENSION TOLERANCE +.000 - .030
- 3) 'V' DIMENSION IS MAX. HUB LENGTH ON SHAFT
- 4) CONDUIT BOX CAN BE ROTATED IN 90° STEPS ON ITS OWN AXIS.
- 5) ALL DIMENSIONS NOT NOTED ARE NOMINAL DIMENSIONS CONSULT FACTORY FOR TOLERANCES.

FOR F1 OR F2 CONDUIT BOX
LOCATION SEE SALES ORDER

1486

MATL: -

REV: C CORRECTED "A" DIMENSIONS

9871

SCALE: 0.08

BY: TBM

REVISED: 09/10/96

FILE: CHB00003091

TDR: 0104915

BALDOR ELECTRIC Co.

DIM SHEET, 1810AT THRU 329AT GENERATORS

