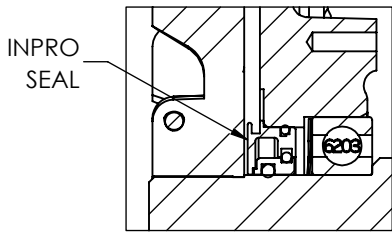
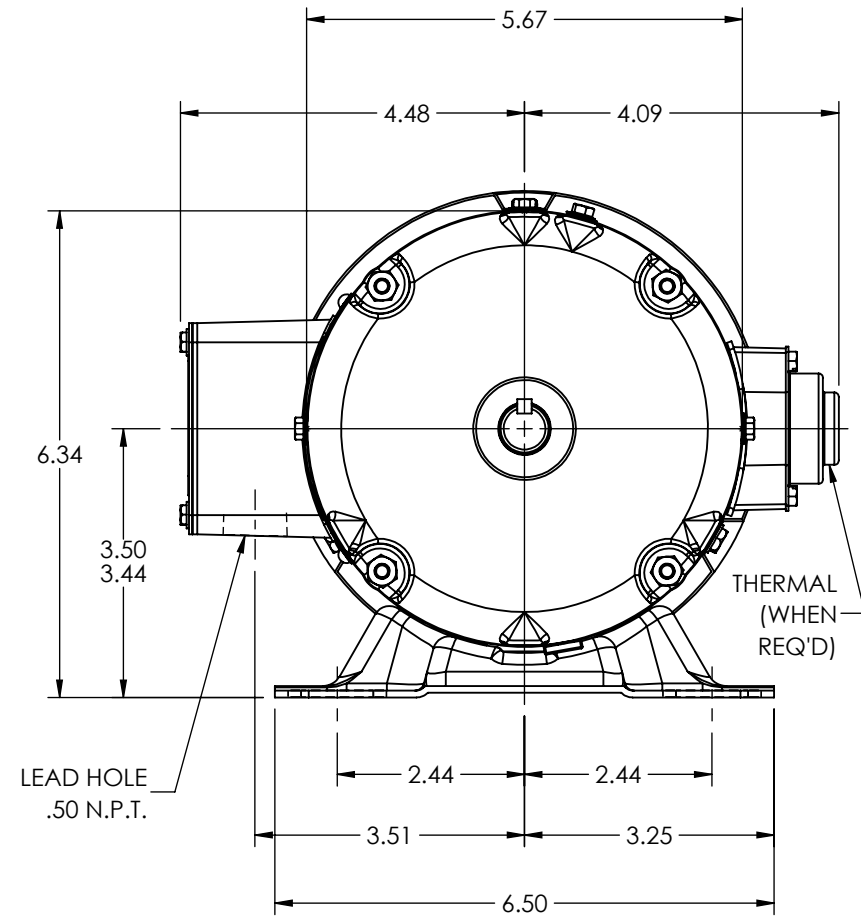
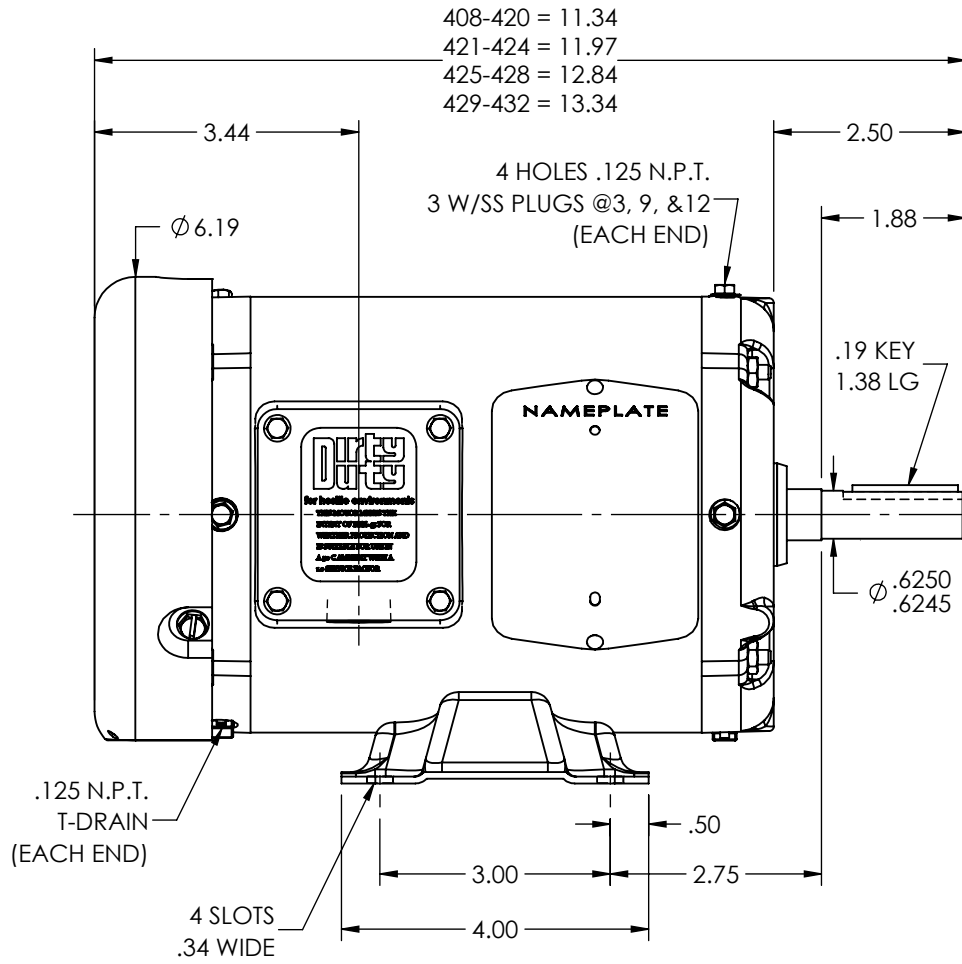
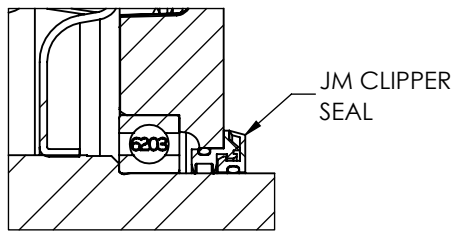


34LYM812



FRONT END DETAIL



PULLEY END DETAIL

CUSTOMER IS RESPONSIBLE FOR DETERMINING THAT THE PRODUCT WILL PERFORM SUITABLY IN THE INTENDED APPLICATION

REV. DESC: UPDATE STACK RANGES			
REV: F	VERSION: 06	REVISED: 01:35:47 02/04/2026	TDR: 000001271334
34LYM812	MODEL NO. 34LYM812	REF: -	
	BY: ENJF00		

**BALDOR - RELIANCE®**

STD HORZ 34M NEMA 56 TEFC DDP (S/P032-002-002)

34LYM812