

BALDOR • RELIANCE

Customer information packet

DEL3737TM

50LC 4P TEFC HOR 215T MTO

Class - None

Division - Not Applicable

Specifications

Enclosure	TEFC
Frame	215T
Frame Material	Steel
Frequency	60.00 Hz
Haz Area Class and Group	None
Haz Area Division	Not Applicable
Motor Letter Type	Cap Start, Cap Run
Output @ Frequency	10.000 HP @ 60 HZ
Phase	1
Synchronous Speed @ Frequency	1800 RPM @ 60 HZ
Voltage @ Frequency	230.0 V @ 60 HZ
Agency Approvals	UR CSA
Ambient Temperature	50 °C
Auxillary Box	No Auxillary Box
Auxillary Box Lead Termination	None
Base Indicator	Rigid
Bearing Grease Type	Polyrex EM (-20F +300F)
Blower	None
Current @ Voltage	39.000 A @ 230.0 V
Design Code	L
Drip Cover	No Drip Cover
Duty Rating	CONT
Efficiency @ 100% Load	85.5 %
Electrically Isolated Bearing	Not Electrically Isolated
Feedback Device	NO FEEDBACK
Front Shaft Indicator	None
Heater Indicator	No Heater
High Voltage Full Load Amps	39.0 a
Insulation Class	H
Inverter Code	Not Inverter
KVA Code	H

Part detail

Revision	B
Type	AC
Mech. spec.	37M294
Base	
Status	PRD/A
Elec. spec.	37WGW004
Layout	37LYM294
Eff. date	07-25-2024
CD Diagram	CD1336A01
Poles	04
Leads	2#10 A PH,3#14 B & J
Proprietary	False
Created date	11-24-2020

Lifting Lugs	Standard Lifting Lugs
Locked Bearing Indicator	No Locked Bearing
Motor Lead Quantity/Wire Size	2 @ 10 AWG, A PH
Motor Lead Termination	Flying Leads
Motor Standards	NEMA
Motor Type	3750LC
Mounting Arrangement	F1
Number of Poles	4
Overall Length	21.27 IN
Power Factor	96
Product Family	General Purpose
Pulley End Bearing Type	Ball
Pulley Face Code	Standard
Pulley Shaft Indicator	Standard
Rodent Screen	None
Service Factor	1.15
Shaft Diameter	1.375 IN
Shaft Ground Indicator	No Shaft Grounding
Shaft Rotation	Reversible
Shaft Slinger Indicator	No Slinger
Speed	1750 rpm
Speed Code	Single Speed
Starting Method	Direct on line
Thermal Device - Bearing	None
Thermal Device - Winding	None
Vibration Sensor Indicator	No Vibration Sensor
Winding Thermal 1	Manual Thermal Overload
Winding Thermal 1 Location	KO
Winding Thermal 2	None

Nameplate

NP1280L									
CAT.NO.	DEL3737TM								
SPEC.	37M294W004G1								
HP	10								
VOLTS	230								
AMP	39								
RPM	1750								
FRAME	215T	HZ	60	PH	1				
SER.F.	1.15	CODE	H	DES	L	CL	H		
NEMA-NOM-EFF	85.5	PF	96						
RATING	50C AMB-CONT								
CC									
DE	6307	ODE	6206						
ENCL	TEFC	SN							

AC Induction Motor Performance Data

Record # 85591

Typical performance - not guaranteed values

Winding: 37WGW004-R001		Type: 3750LC	Enclosure: TEFC	
Nameplate Data			230 V, 60 Hz: Single Voltage Motor	
Rated Output (HP)	10	Full Load Torque	29.92 LB-FT	
Volts	230	Start Configuration	direct on line	
Full Load Amps	39	Breakdown Torque	96.52 LB-FT	
R.P.M.	1750	Pull-up Torque	58.68 LB-FT	
Hz	60 Phase	1	Locked-rotor Torque	77.54 LB-FT
NEMA Design Code	L KVA Code	H	Starting Current	280 A
Service Factor (S.F.)	1.15	No-load Current	7.38 A	
NEMA Nom. Eff.	85.5 Power Factor	96	Line-line Res. @ 25°C	0.219 Ω A Ph 0.695 Ω B Ph
Rating - Duty	50C AMB-CONT	Temp. Rise @ Rated Load	75°C	
S.F. Amps		Temp. Rise @ S.F. Load	95°C	
		Locked-rotor Power Factor	93.7	
		Rotor inertia	1.23 lb-ft ²	

Load Characteristics 230 V, 60 Hz, 10 HP

% of Rated Load	25	50	75	100	125	150	S.F.
Power Factor	88	97	98	98	96	93	97
Efficiency	67.3	81.4	85.5	85.6	83.5	80	84.3
Speed	1788	1776	1765	1749	1731	1707	1738
Line amperes	13.81	20.64	29.04	38.61	50.07	63.69	45.5

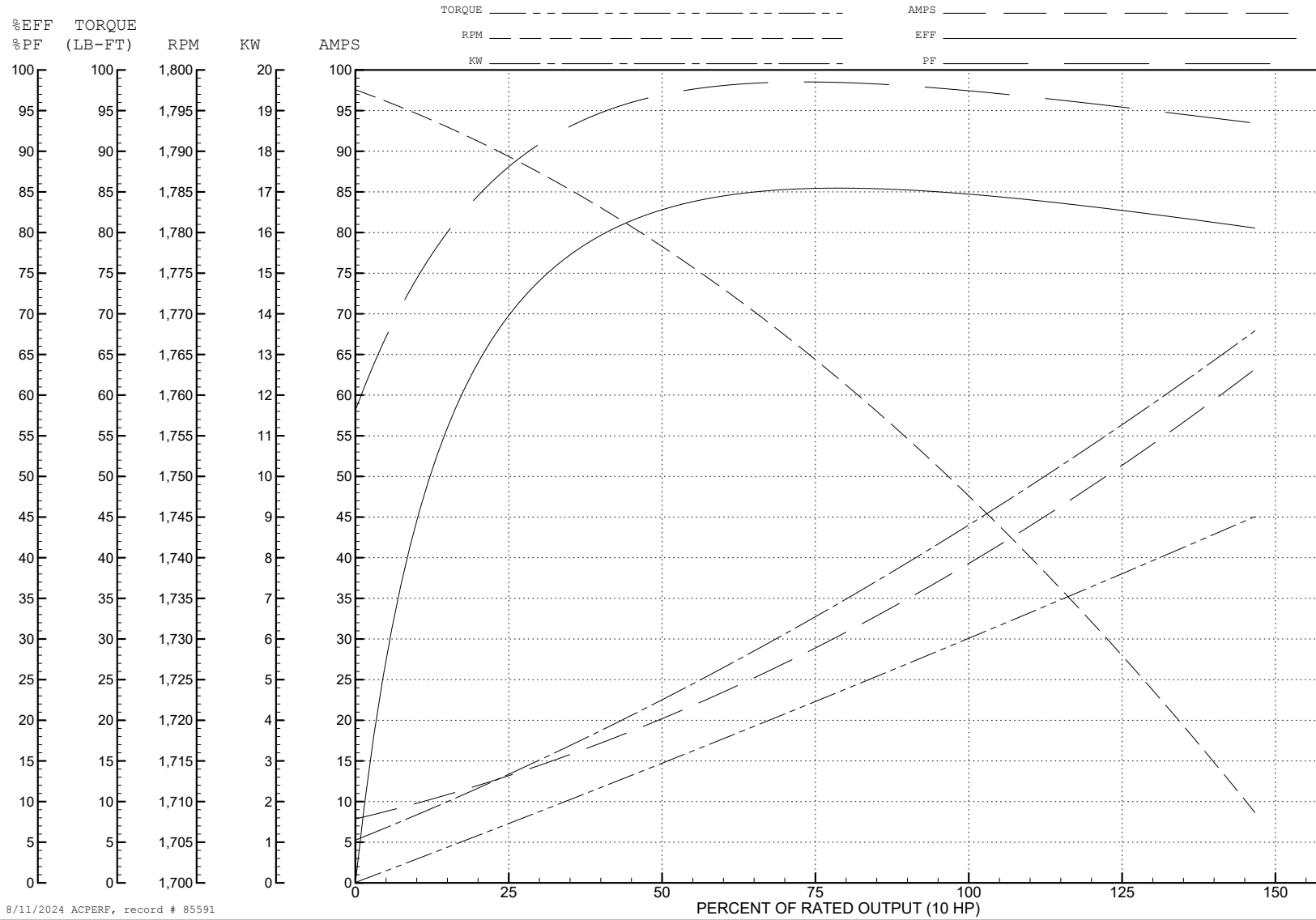
ABB Motors and Mechanical Inc.

WINDING # 37WGW004

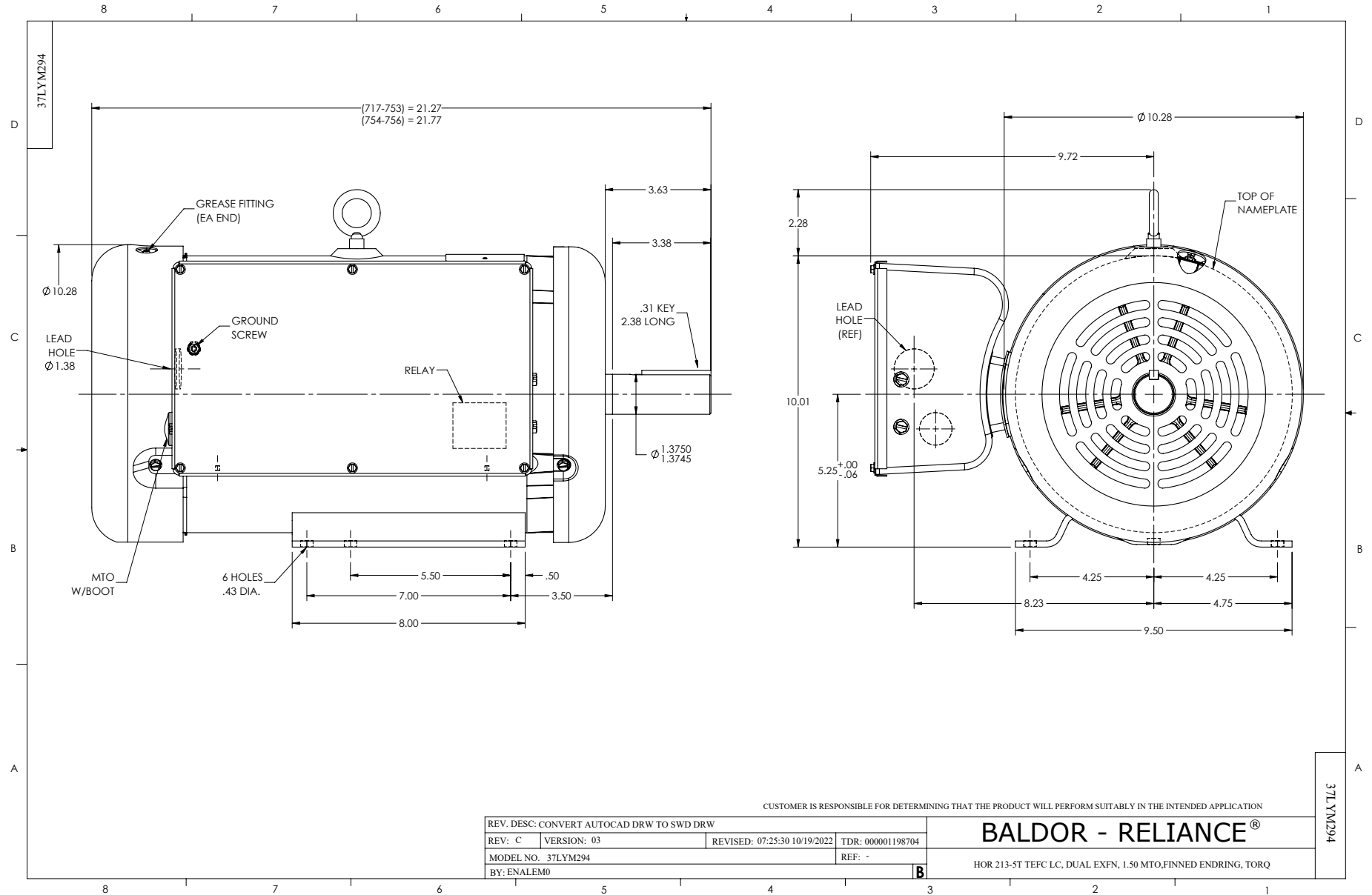
Typical performance - not guaranteed values.

10 HP 1 PH 60 HZ 1750 RPM 230 V 3750LC

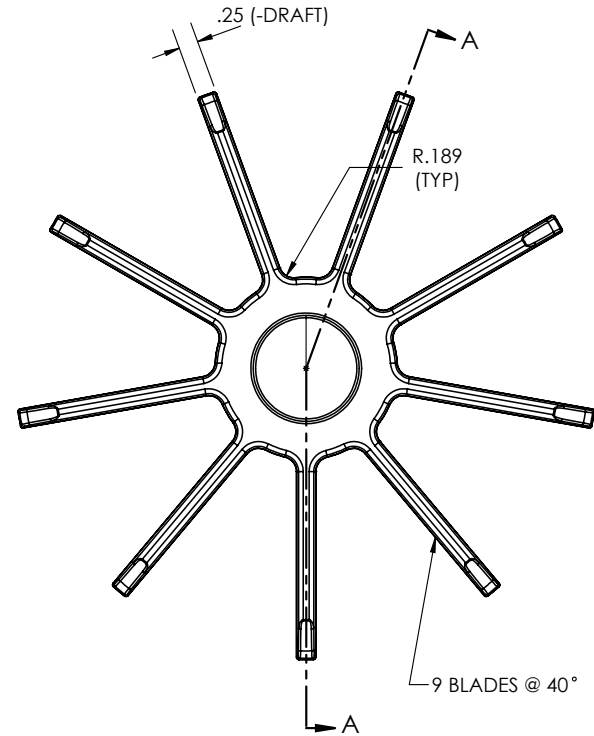
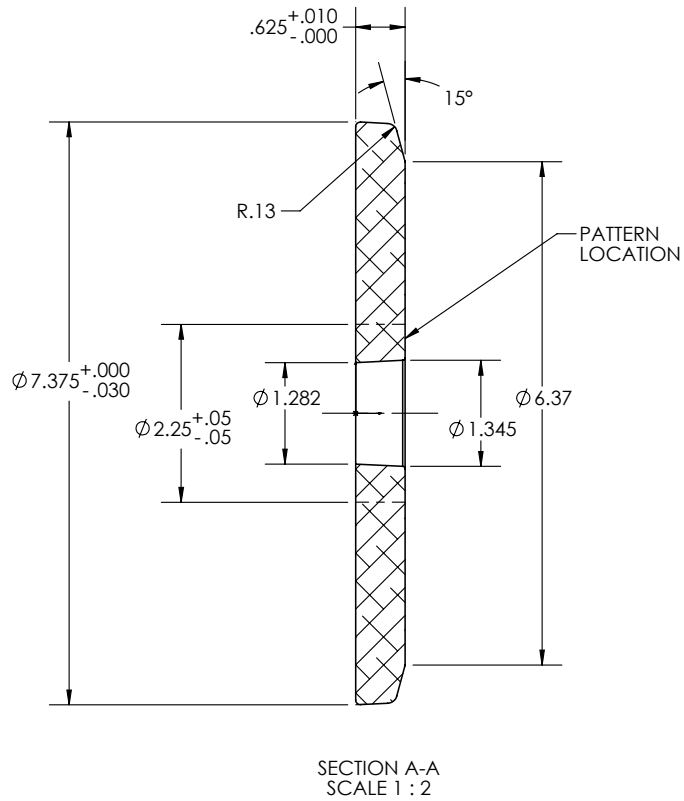
TORQUES (LB-FT): PO=96.52 PU=58.68 LR=77.54 LRA=280



8/11/2024 ACPERF, record # 85591



36FN3004



DIE CAST ALUMINUM TOLERANCES UNLESS OTHERWISE SPECIFIED		
2 PLCS	0-1" ±.010	R _L FLASH GROWTH ALLOWANCE .015"
3 PLCS	0-1" ±.004	
ABOVE 1" ±.001/INCH		ANGLES ±0.5°
UNSPECIFIED FEATURE DIMENSIONS:		
RADII = .03-.06		DRAFT ANGLES = 2.88°

WEIGHT = 9 OZ.

REV. DESC: INCREASE RADIUS AROUND HUB AREA

REV: B	VERSION: 02	REVISED: 02:56:33 05/10/2017	TDR: 000001027912
--------	-------------	------------------------------	-------------------

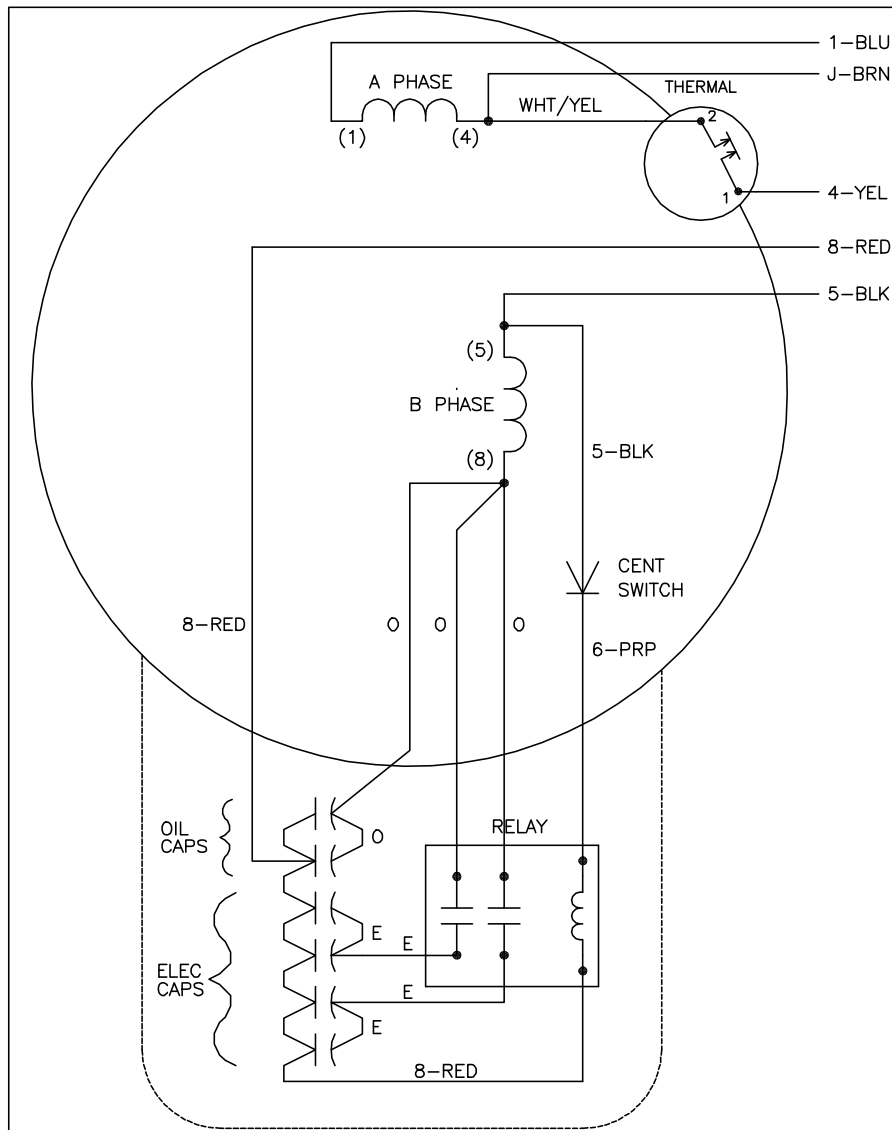
36FN3004	MODEL NO. 36FN3004	REF: -
	BY: USFRHAR	Material: - DIE CAST ALUMINUM

BALDOR

FAN EXTERNAL 36 FRAME - EXPLOSION PROOF DIE CAST

36FN3004

CD1336A01

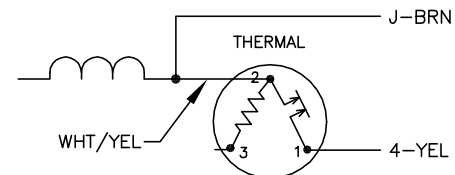


	LINE A	LINE B	JOIN
STD	1,8	4	J,5
OPP	1,5	4	J,8

NOTES:

1. STANDARD ROTATION IS CCW FACING END OPPOSITE SHAFT EXTENSION.
2. MULTIPLE CAPACITORS ARE CONNECTED IN PARALLEL UNLESS OTHERWISE SPECIFIED.
3. DRESS LEADS AWAY FROM RELAY TO AVOID INTERFERENCE.
4. CAPS AND RELAY MAY BE SEPARATELY MOUNTED.
5. LEAD COLORS ARE OPTIONAL. LEADS MUST ALWAYS BE NUMBERED AS SHOWN.

BYPASSING THE HEATER OF A THREE-TERMINAL THERMAL



REV. DESC: NEW	VERSION: 00	TDR: 000000373928
REV. LTR: -	FILE: \AAA\00129\270	REVISED: 15:59:20 08/19/2005
CD1336A01	MTL: -	BY: ENJOEPO

BALDOR ELECTRIC Co.

TYPE LC, SV, REV, 2-TERMINAL THERMAL, 5LD, RELAY W/CENT SW

CD1336A01