

BALDOR • RELIANCE

Customer information packet

DEL3733TM

7.5HP, 1725RPM, 1PH, 60HZ, 215T, 3750LC, TEFC

Class - None

Division - Not Applicable

Specifications

Enclosure	TEFC
Frame	215T
Frame Material	Steel
Frequency	60.00 Hz
Haz Area Class and Group	None
Haz Area Division	Not Applicable
Motor Letter Type	Cap Start, Cap Run
Output @ Frequency	7.500 HP @ 60 HZ
Phase	1
Synchronous Speed @ Frequency	1800 RPM @ 60 HZ
Voltage @ Frequency	230.0 V @ 60 HZ
Agency Approvals	UR CSA
Ambient Temperature	50 °C
Auxillary Box	No Auxillary Box
Auxillary Box Lead Termination	None
Base Indicator	Rigid
Bearing Grease Type	Polyrex EM (-20F +300F)
Blower	None
Current @ Voltage	28.000 A @ 230.0 V
Design Code	L
Drip Cover	No Drip Cover
Duty Rating	CONT
Efficiency @ 100% Load	85.0 %
Electrically Isolated Bearing	Not Electrically Isolated
Feedback Device	NO FEEDBACK
Front Face Code	Standard
Front Shaft Indicator	None
Heater Indicator	No Heater
High Voltage Full Load Amps	28.0 a
Insulation Class	F
Inverter Code	Not Inverter

Part detail

Revision	BB
Type	AC
Mech. spec.	37F364
Base	
Status	PRD/A
Elec. spec.	37WGW659
Layout	37LYF364
Eff. date	07-25-2024
CD Diagram	CD0152
Poles	04
Leads	2#10 A PH,3#14 B&J
Proprietary	False
Created date	01-01-0001

KVA Code	H
Lifting Lugs	Standard Lifting Lugs
Locked Bearing Indicator	Locked Bearing
Motor Lead Exit	Cap Box
Motor Lead Quantity/Wire Size	2 @ 10 AWG, A PH
Motor Lead Termination	Flying Leads
Motor Standards	NEMA
Motor Type	3750LC
Mounting Arrangement	F1
Number of Poles	4
Overall Length	20.77 IN
Power Factor	98
Product Family	General Purpose
Pulley End Bearing Type	Ball
Pulley Face Code	Standard
Pulley Shaft Indicator	Standard
Rodent Screen	None
Service Factor	1.15
Shaft Diameter	1.375 IN
Shaft Extension Location	Pulley End
Shaft Ground Indicator	No Shaft Grounding
Shaft Rotation	Reversible
Shaft Slinger Indicator	No Slinger
Speed	1725 rpm
Speed Code	Single Speed
Starting Method	Direct on line
Thermal Device - Bearing	None
Thermal Device - Winding	None
Vibration Sensor Indicator	No Vibration Sensor
Winding Thermal 1	Manual Thermal Overload
Winding Thermal 1 Location	KO
Winding Thermal 2	None

Nameplate

NP1280L							
CAT.NO.	DEL3733TM						
SPEC.	37F364W659						
HP	7.5						
VOLTS	230						
AMP	28						
RPM	1725						
FRAME	215T	HZ	60	PH	1		
SER.F.	1.15	CODE	H	DES	L	CL	F
NEMA-NOM-EFF	85	PF	98				
RATING	50C AMB-CONT						
CC							
DE	6307	ODE	6206				
ENCL	TEFC	SN					

AC Induction Motor Performance Data

Record # 11898

Typical performance - not guaranteed values

Winding: 37WGW659-R001		Type: 3750LC	Enclosure: TEFC		
Nameplate Data			230 V, 60 Hz: Single Voltage Motor		
Rated Output (HP)	7.5	Full Load Torque	22.4 LB-FT		
Volts	230	Start Configuration	direct on line		
Full Load Amps	28	Breakdown Torque	58 LB-FT		
R.P.M.	1725	Pull-up Torque	50 LB-FT		
Hz	60 Phase	1	Locked-rotor Torque	93 LB-FT	
NEMA Design Code	L	KVA Code	H	Starting Current	220 A
Service Factor (S.F.)	1.15	No-load Current	10.8 A		
NEMA Nom. Eff.	85	Power Factor	98	Line-line Res. @ 25°C	0.271 Ω A Ph 0.579 Ω B Ph
Rating - Duty	50C	AMB-CONT	Temp. Rise @ Rated Load	72°C	
S.F. Amps			Temp. Rise @ S.F. Load	88°C	

Load Characteristics 230 V, 60 Hz, 7.5 HP

% of Rated Load	25	50	75	100	125	150	S.F.
Power Factor	70	87	95	98	99	99	0
Efficiency	64.3	79	84.7	87.1	87.7	87.2	0
Speed	1789	1779	1768	1757	1744	1729	0
Line amperes	13.6	17.7	22.8	28.5	34.8	41.9	32.3

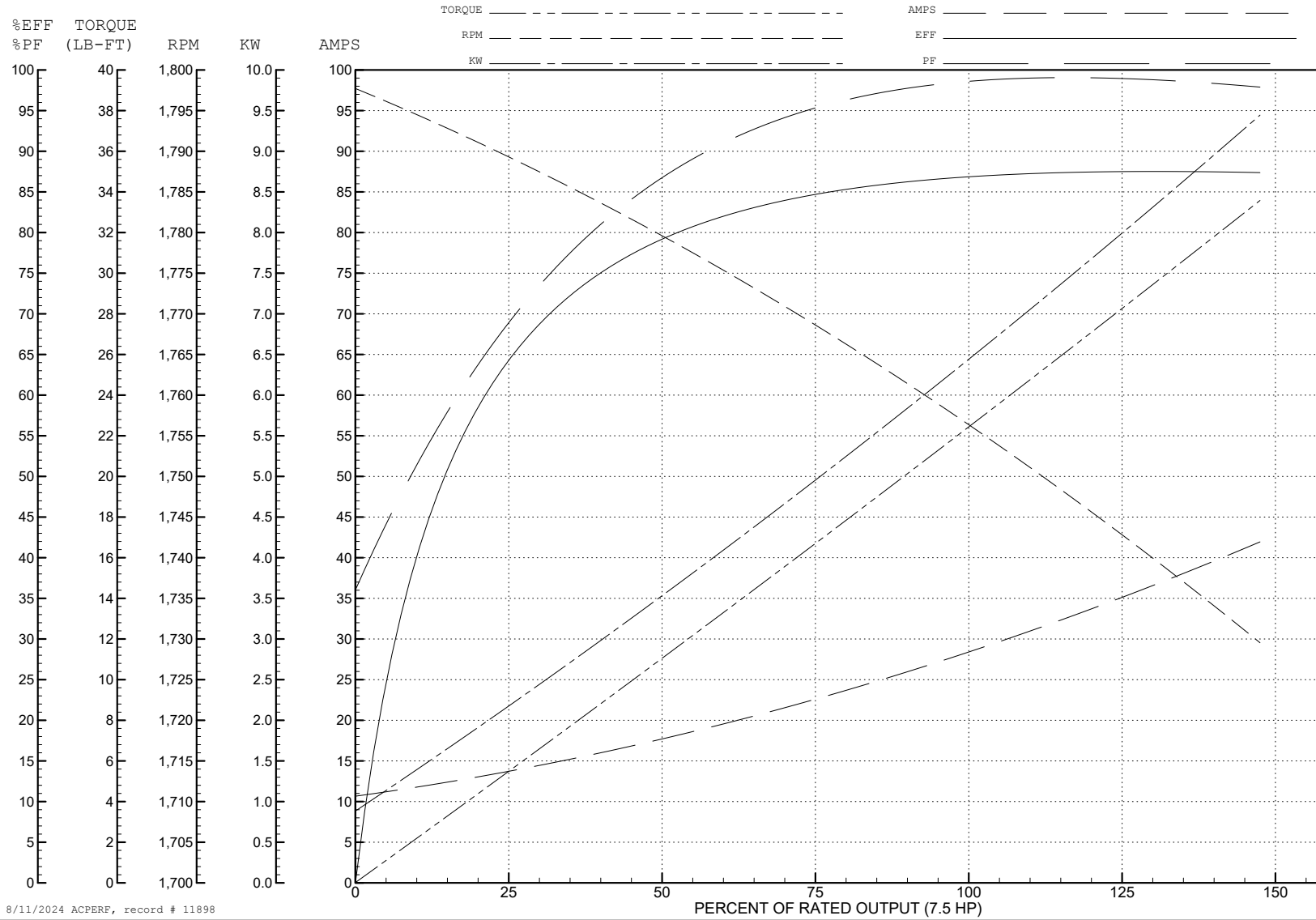
ABB Motors and Mechanical Inc.

WINDING # 37WGW659

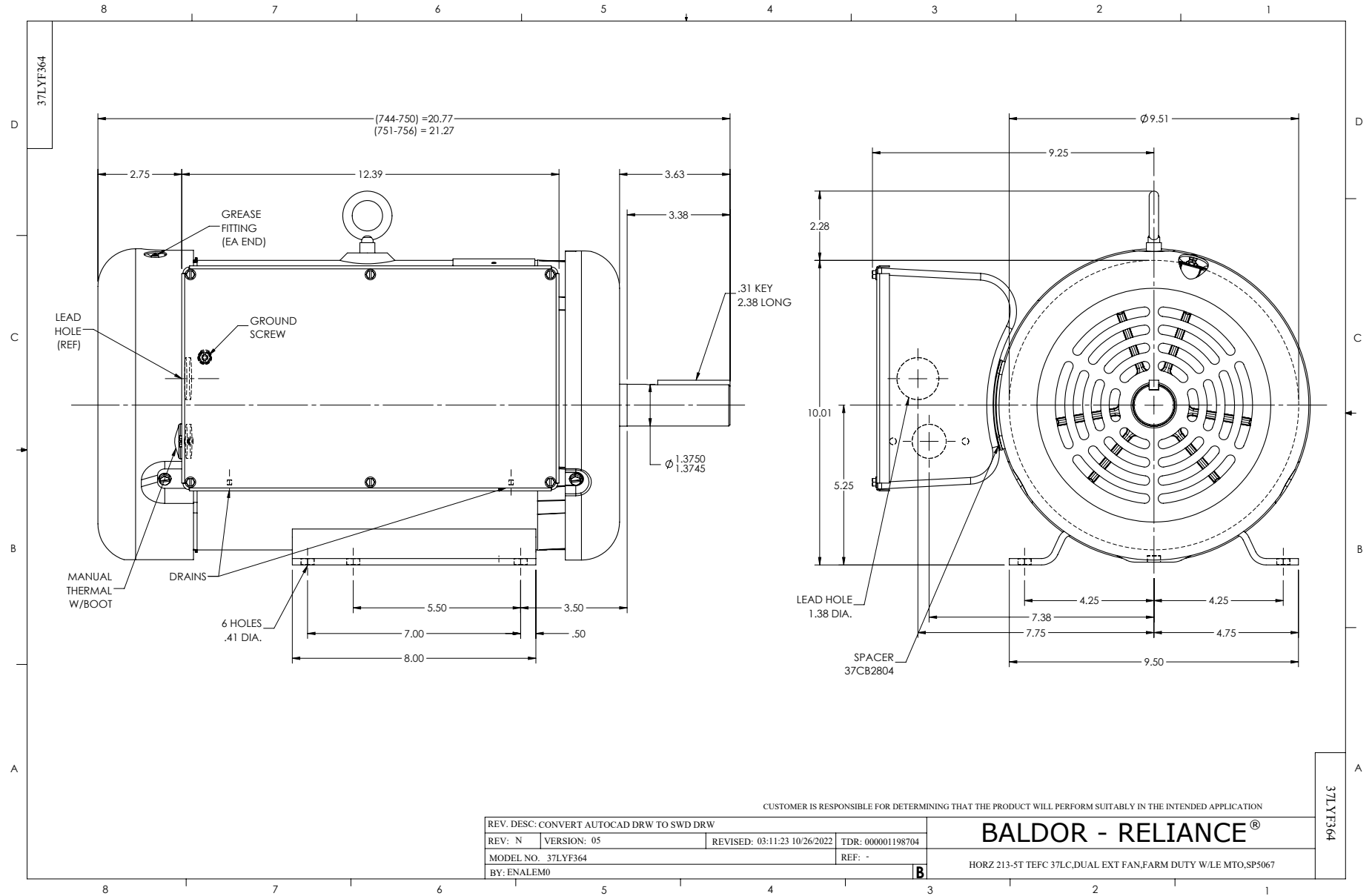
7.5 HP 1 PH 60 HZ 1725 RPM 230 V 3750LC

Typical performance - not guaranteed values.

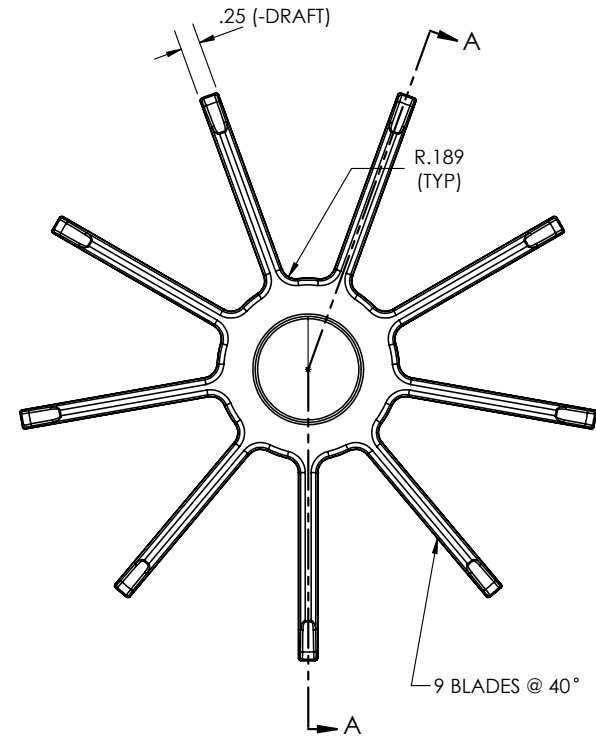
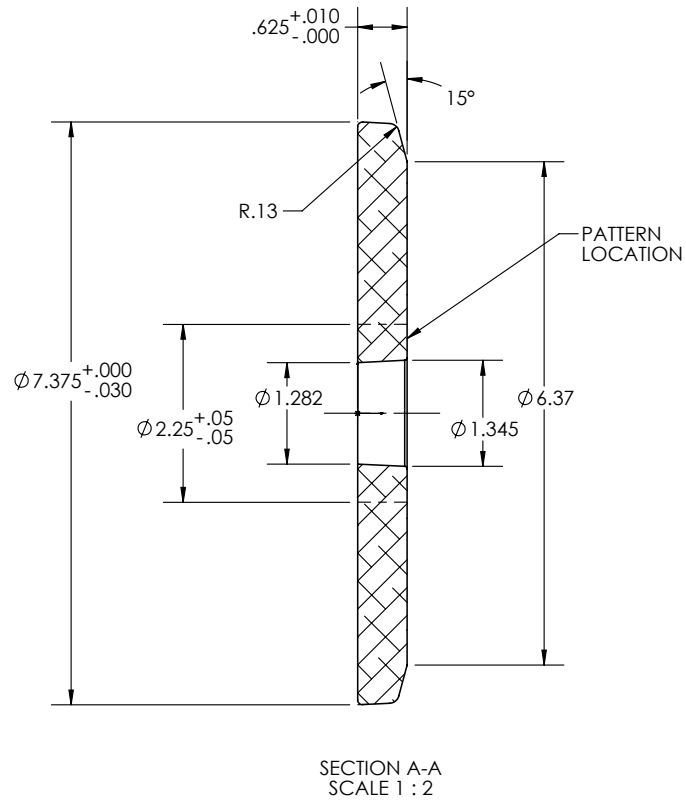
TORQUES (LB-FT): PO=58 PU=50 LR=93 LRA=220



8/11/2024 ACPERF, record # 11898



36FN3004



DIE CAST ALUMINUM TOLERANCES UNLESS OTHERWISE SPECIFIED		
2 PLCS	0-1" ±.010	R _L FLASH GROWTH ALLOWANCE .015"
3 PLCS	0-1" ±.004	
ABOVE 1" ±.001/INCH		ANGLES ±0.5°
UNSPECIFIED FEATURE DIMENSIONS:		
RADII = .03-.06		DRAFT ANGLES = 2.88°

WEIGHT = 9 OZ.

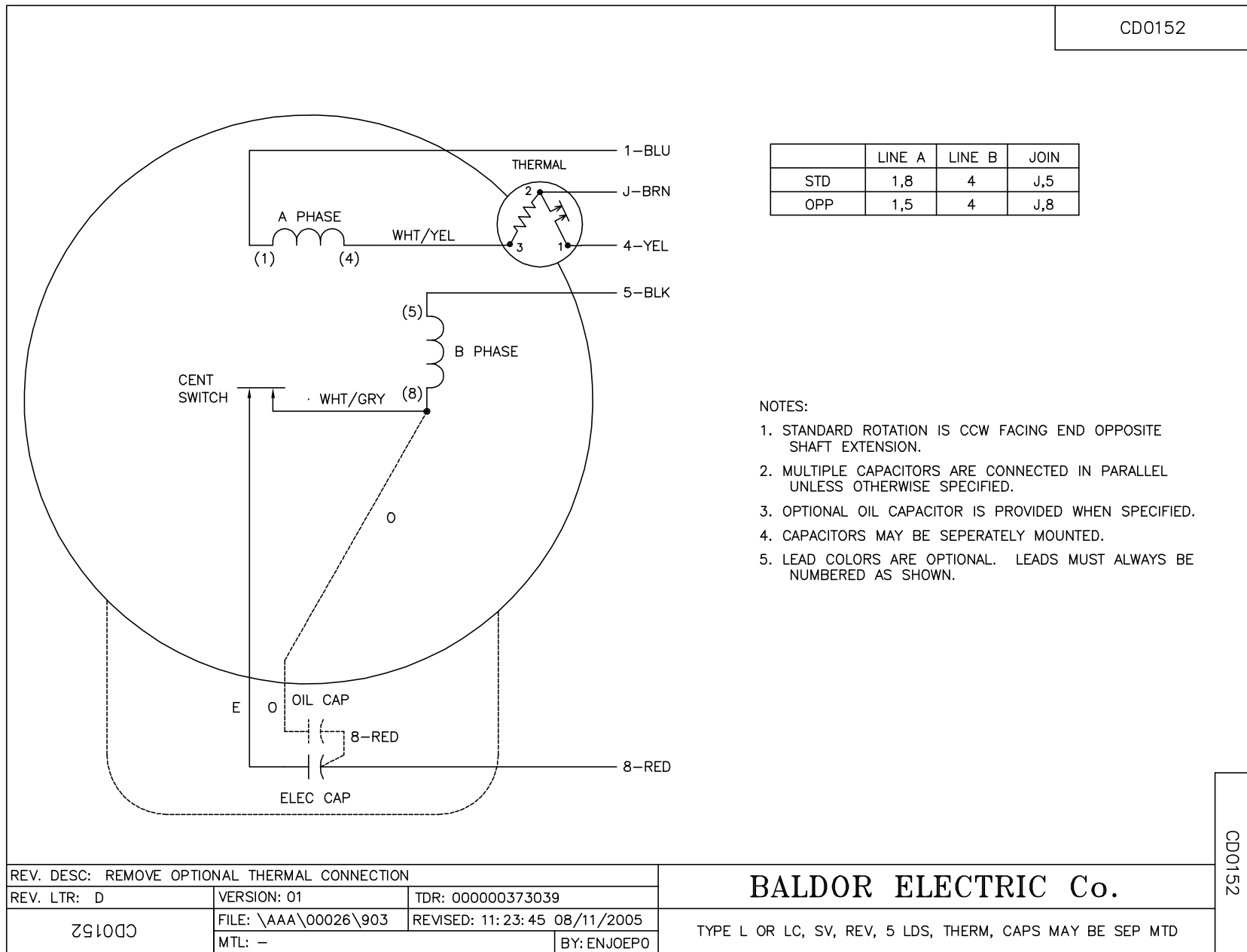
REV. DESC: INCREASE RADIUS AROUND HUB AREA			
REV: B	VERSION: 02	REVISED: 02:56:33 05/10/2017	TDR: 000001027912
36FN3004		MODEL NO. 36FN3004	REF: -
		BY: USFRHAR	Material: - DIE CAST ALUMINUM

BALDOR

FAN EXTERNAL 36 FRAME - EXPLOSION PROOF DIE CAST

36FN3004

CD0152



	LINE A	LINE B	JOIN
STD	1,8	4	J,5
OPP	1,5	4	J,8

NOTES:

1. STANDARD ROTATION IS CCW FACING END OPPOSITE SHAFT EXTENSION.
2. MULTIPLE CAPACITORS ARE CONNECTED IN PARALLEL UNLESS OTHERWISE SPECIFIED.
3. OPTIONAL OIL CAPACITOR IS PROVIDED WHEN SPECIFIED.
4. CAPACITORS MAY BE SEPERATELY MOUNTED.
5. LEAD COLORS ARE OPTIONAL. LEADS MUST ALWAYS BE NUMBERED AS SHOWN.

REV. DESC: REMOVE OPTIONAL THERMAL CONNECTION		
REV. LTR: D	VERSION: 01	TDR: 000000373039
CD0152	FILE: \AAA\00026\903	REVISED: 11: 23: 45 08/11/2005
	MTL: -	BY: ENJOEPO

BALDOR ELECTRIC Co.

TYPE L OR LC, SV, REV, 5 LDS, THERM, CAPS MAY BE SEP MTD

CD0152