

BALDOR® • RELIANCE®

Customer information packet

D5505R

5HP, 1750RPM, DC, 2113ATZ, TENV,

Specifications

Enclosure	TENV
Frame	SC2113ATZ
Frame Material	Steel
Output Power	5.000 HP
Agency Approvals	CCSA US
Ambient Temperature	40 °C
Bearing Grease Type	Polyrex EM (-20F +300F)
Drip Cover	No Drip Cover
Feedback Device	NO FEEDBACK
Field Winding Type	STAB SHUNT
Frame Prefix	SC
Heater Indicator	No Heater
Lifting Lugs	Standard Lifting Lugs
Motor Standards	NEMA
Mounting Arrangement	F1
Overall Length	28.38 IN
Shaft Extension Location	Pulley End
Shaft Ground Indicator	No Shaft Grounding
Shaft Slinger Indicator	No Slinger

Part detail

Revision	-
Type	DC
Mech. spec.	
Base	
Status	PRD/A
Elec. spec.	G6082C A
Layout	609950-001
Eff. date	04-13-2015
CD Diagram	406770-002
Poles	00
Leads	
Proprietary	False
Created date	04-10-2015

Nameplate

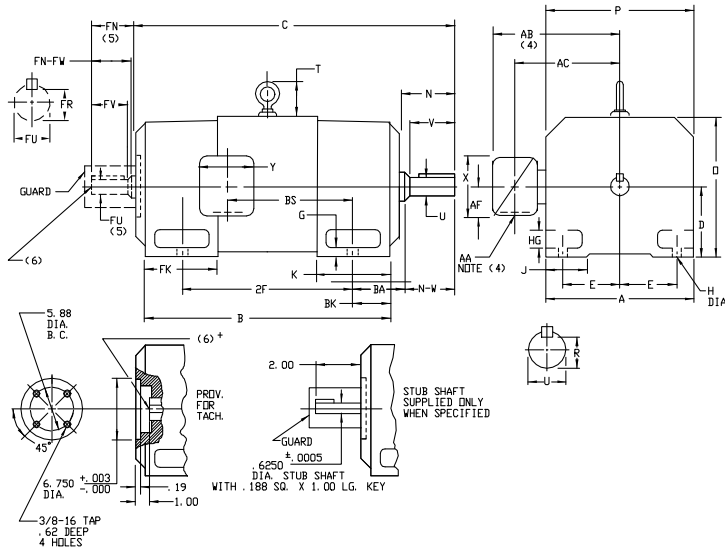
000613006HP					
CAT.NO.	D5505R	SPEC NO.	T21S0201		
FR	SC 2113ATZ	HP	5	DUTY	CONT
ENCL.	TENV	RPM	1750/ 2300	S.F.	1.0
ENCL MOD		VOLTS	500	INSUL	F
MAX SAFE SPEED	4500	AMPS	9.00	AMB.	40
	FIELD DATA	SER.NO.			
WINDING	STAB SHUNT	POWER CODE	C		
VOLTS	300	D.E. BRG.	50BC03J30X		
MAX AMPS @ 25 C	1.06	O.D.E. BRG.	45BC02J30X		
HOT AMPS	.71/ .51	MIN. AMB.	0	TYPE	TR
	BRUSH:419904051F; FLD. DATA				
	FOR HIGH VOLTS; FIELD VOLTS		150/300		

609950-001

INDUSTRIAL DIRECT CURRENT MOTORS AND GENERATORS - RPM III

ENCLOSURE: DRIP-PROOF FULLY-GUARDED, SPLASHPROOF, TOTALLY ENCLOSED
 COOLING: SELF-VENTILATED NON-VENTILATED
 MOUNTING: FOOT
 ACCESSORIES: PROVISION FOR TACHOMETER MOUNTING
 METHOD OF DRIVE: COUPLED OR BELTED ONLY WHEN SPECIFIED

FRAMES SC2113ATZ THRU LC2812ATZ



DIMENSIONS ARE IN INCHES; SEE 609950-1M FOR DIMENSIONS IN MILLIMETERS

FRAME	A	X(1)	E	G	H	HG	J	D	P	T	BA	K	FK	BK
SC2113ATZ-LC2113ATZ	10.25	5.25	4.25	44	44	1.38	1.75	10.44	10.31	2.56	3.50	5.19	6.81	2.38
SC2512ATZ-LC2512ATZ	12.31	6.25	5.00	50	56	1.62	2.00	12.90	12.44	3.06	4.25	6.06	8.00	3.00
MC2812ATZ-LC2812ATZ	13.78	7.00	5.50	62	56	1.88	2.75	14.00	13.94	3.38	4.75	6.75	9.19	3.50

FRAME	C(7)	B	BS	2F	DRIVE END SHAFT AND KEY					OPPOSITE DRIVE END SHAFT AND KEY(S)					WT.				
					N	N-W	UK(2)	V	UK(3)	SS	LGTH.	FN	FN-FW	FK(2)		FV	FK(3)	SS	LGTH.
SC2113ATZ	28.38	22.50	11.38	18.00	4.00	3.75	1.875	3.50	1.591	.500	2.50	3.50	3.25	1.625	3.00	1.416	.375	2.25	315
MC2113ATZ	29.62	23.75	12.62	18.00	4.00	3.75	1.875	3.50	1.591	.500	2.50	3.50	3.25	1.625	3.00	1.416	.375	2.25	340
LC2113ATZ	31.25	25.38	14.25	18.00	4.00	3.75	1.875	3.50	1.591	.500	2.50	3.50	3.25	1.625	3.00	1.416	.375	2.25	370
SC2512ATZ	31.69	25.06	12.06	20.00	4.50	4.25	2.125	4.00	1.845	.500	3.00	4.00	3.75	1.875	3.50	1.591	.500	2.50	505
MC2512ATZ	33.19	26.56	13.56	20.00	4.50	4.25	2.125	4.00	1.845	.500	3.00	4.00	3.75	1.875	3.50	1.591	.500	2.50	540
LC2512ATZ	34.69	28.06	15.06	20.00	4.50	4.25	2.125	4.00	1.845	.500	3.00	4.00	3.75	1.875	3.50	1.591	.500	2.50	580
MC2812ATZ	37.38	29.94	14.25	22.00	5.00	4.75	2.375	4.50	2.021	.625	3.50	4.50	4.25	2.125	4.00	1.845	.500	3.00	775
LC2812ATZ	39.62	32.19	16.50	22.00	5.00	4.75	2.375	4.50	2.021	.625	3.50	4.50	4.25	2.125	4.00	1.845	.500	3.00	850

- (1) "P" DIMENSION WILL NOT BE EXCEEDED. SHIMS UP TO .03 INCHES IN THICKNESS ARE USUALLY REQUIRED FOR COUPLED OR GEARED MACHINES.
- (2) "U" AND "FU" VARY-----+ .000 - .015
- (3) "R" AND "FR" VARY-----+ .000 - .015
- (4) TERMINAL BOX VARIES WITH H.P. FOR DIMENSIONS "AA", "AB", "AC", "AF", "X" AND "Y". REFER TO BDX D/S. (STD. 609959-1, "X/P" 609959-2, MILL 609959-3)
- (5) OPPOSITE DRIVE END SHFT SUPPLIED ONLY WHEN SPECIFIED.
- (6) MOTOR SHFT TAPPED FOR SCREW-IN STUB SHFT.
- (7) WHEN THE MOTOR APPLICATION DOES NOT REQUIRE THE USE OF DPP, DRIVE END, ADD .25 TO "C" DIM FOR BRACKET COVER.

TERMINAL BOX CAN BE ROTATED FOR LEAD OUTLET AT TOP, SIDES OR BOTTOM.
 TERMINAL BOX LOCATED ON OPPOSITE SIDE WHEN F-2, W-1, W-4, W-5, W-7,
 OR C-1 MOUNTING IS SPECIFIED. BOX LOCATED ON TOP WHEN SPECIFIED.
 MOTOR WEIGHT MAY VARY 15% FOR NON-STANDARD RATINGS AND/OR ACCESSORIES.
 IF MOUNTING CLEARANCE DETAILS ARE REQUIRED, CONSULT FACTORY.

CUSTOMER IS RESPONSIBLE FOR DETERMINING THAT BALDOR'S PRODUCT WILL PERFORM SUITABLY IN THE INTENDED APPLICATION.

REV. DESC: LOADED TO BUS	VERSION: 00	TDR: 000000577407
REV. LTR: -	REVISED: 10:21:19 01/26/2011	BY: RGGBC
FILE: \RGG\00015\543		
MTL: -		

BALDOR

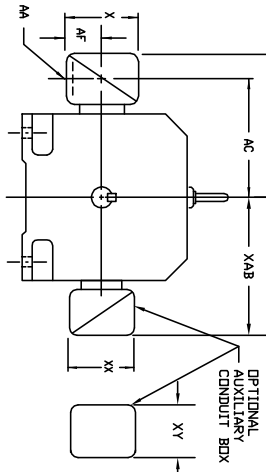
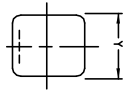
DIMENSION DRAWING, SC2113ATZ - LC2812ATZ, DPP, TENV, FOOT MTG

SH 1 of 1

609950-001

609959-001

INDUSTRIAL DIRECT CURRENT MOTORS
AND GENERATORS - RPM III
STANDARD SIZE AND ONE SIZE LARGER
TERMINAL BOX DIMENSIONS
FRAMES C2113ATZ THRU C2815ATZ



DIMENSIONS ARE IN INCHES

FRAME SIZE	MAX. AMPS	STANDARD SIZE						STEEL TERMINAL BOX DIMENSIONS						ONE SIZE LARGER						
		AK(1)	AB	AC	AF	X	Y	AK(1)	AB	AC	AF	X	Y	AK(1)	AB	AC	AF	X	Y	
C2113ATZ	40	3/4 & 1"	8.97	7.47	1.94	4.38	5.00	705028-1-R	1-1/4 & 1-1/2	10.03	8.03	2.50	5.50	6.12	705029-1-R					
C2115ATZ	96	1-1/4 & 1-1/2	10.03	8.03	2.50	5.50	6.12	705029-1-R	2" & 2-1/2	11.16	8.41	3.19	7.00	7.62	705030-1-R					
C2117ATZ	208	2" & 2-1/2	11.16	8.41	3.19	7.00	7.62	705030-1-R	2" & 2-1/2	11.16	8.41	3.19	7.00	7.62	705030-1-R					
C2119ATZ	400	3/4 & 1"	10.03	8.03	2.50	5.50	6.12	705029-1-R	1-1/4 & 1-1/2	11.09	9.09	2.50	5.50	6.12	705029-1-R					
C2121ATZ	96	1-1/4 & 1-1/2	11.09	9.09	2.50	5.50	6.12	705029-1-R	2" & 2-1/2	12.22	9.47	3.19	7.00	7.62	705030-1-R					
C2123ATZ	208	2" & 2-1/2	12.22	9.47	3.19	7.00	7.62	705030-1-R	2" & 2-1/2	12.22	9.47	3.19	7.00	7.62	705030-1-R					
C2125ATZ	400	3/4 & 1"	14.03	10.53	4.25	8.44	7.25	7487-4-R	3"	14.47	11.22	4.25	8.44	7.25	7487-4-R					
C2127ATZ	188	2"	14.47	11.22	4.25	8.44	7.25	7487-4-R	3"	15.91	11.84	5.38	10.56	9.00	706308-3-R					
C2129ATZ	259	4"	15.91	11.84	5.38	10.56	9.00	706308-3-R	5" (4)	18.59	13.34	7.00	12.75	15.00	706589-1-C					

FRAME SIZE	MAX. AMPS	STANDARD SIZE						CAST IRON TERMINAL BOX DIMENSIONS						ONE SIZE LARGER						
		AK(3)	AB	AC	AF	X	Y	AK(3)	AB	AC	AF	X	Y	AK(3)	AB	AC	AF	X	Y	
C2113ATZ	18	3/4	10.03	8.03	2.50	5.00	5.75	705028-2-S	1"	10.03	8.03	2.50	5.00	5.75	705028-2-T					
C2115ATZ	40	1"	10.03	8.03	2.50	5.00	5.75	705028-2-T	1-1/2	10.97	8.53	3.00	6.00	7.00	705029-2-S					
C2117ATZ	96	1-1/2	10.97	8.53	3.00	6.00	7.00	705029-2-S	2"	12.66	8.91	3.62	7.88	9.25	705030-2-S					
C2119ATZ	208	2"	11.09	9.09	2.50	5.00	5.75	705028-2-S	1"	11.09	9.09	2.50	5.00	5.75	705028-2-T					
C2121ATZ	40	1"	11.09	9.09	2.50	5.00	5.75	705028-2-T	1-1/2	12.03	9.59	3.00	6.00	7.00	705029-2-R					
C2123ATZ	96	1-1/2	12.03	9.59	3.00	6.00	7.00	705029-2-R	2"	12.03	9.59	3.00	6.00	7.00	705029-2-S					
C2125ATZ	208	2"	12.78	10.34	3.00	6.00	7.00	75460-T	3"	13.72	9.97	3.62	7.88	9.25	705030-2-S					
C2127ATZ	188	2"	14.47	10.72	3.62	7.88	9.25	76700-4R	4"	14.47	10.72	3.62	7.88	9.25	76700-4R					
C2129ATZ	259	4"	15.78	11.59	4.12	9.50	10.50	76708-RR	5" (4)	15.78	11.59	4.12	9.50	10.50	76708-RR					

FRAME SIZE	AMPS	STANDARD SIZE						OPTIONAL AUXILIARY CONDUIT BOX DIMENSIONS (IEC TYPE BOX)					
		AB	AC	AF	X	AA	Y	AK(1)	AB	AC	AF	X	Y
C210	100	10.71	8.98	2.72	7.48	---	7.48	706310-25-A					
	200	11.66	9.25	3.35	8.82	---	8.82	706310-56-B					
	100	11.30	9.57	2.72	7.48	---	7.48	706310-56-A					
C250	200	11.85	9.84	3.35	8.82	---	8.82	706310-56-B					
	400	17.48	12.75	6.20	14.39	---	14.39	706310-63-B & 706310-63G					
	800	17.48	12.75	6.20	14.39	---	14.39	706310-63-B & 706310-63G					
	200	12.60	10.59	3.76	8.82	---	8.82	706310-56-B					
	400	18.27	13.54	6.20	14.39	---	14.39	706310-63-B & 706310-63G					
	800	18.27	13.54	6.20	14.39	---	14.39	706310-63-B & 706310-63G					
C280	1600	18.27	13.54	7.68	15.35	---	15.35	706310-63-C					

- (1) MAX. CONDUIT
- (2) FRAME TERMINAL BOX FOR C2113ATZ AND C2521ATZ
- (3) FRAME TERMINAL BOX WITH MODULE KNOWNDON
- (4) TERMINAL BOX 76870-S AND 76870-9R EXTENDS BELOW MOTOR FEET

CUSTOMER IS RESPONSIBLE FOR DETERMINING THAT BALDOR'S PRODUCT WILL PERFORM SUITABLY IN THE INTENDED APPLICATION.

REV. DESC: ADD 706310-63G C/BOX TO C250 AND C280 FRAMES	VERSION: 01	TDR: 00000816512
REV. LTR: A		
FILE: \RGG\00021\153		REVISED: 03: 09: 09 09/06/2013
MTL: -		BY: RGGWT



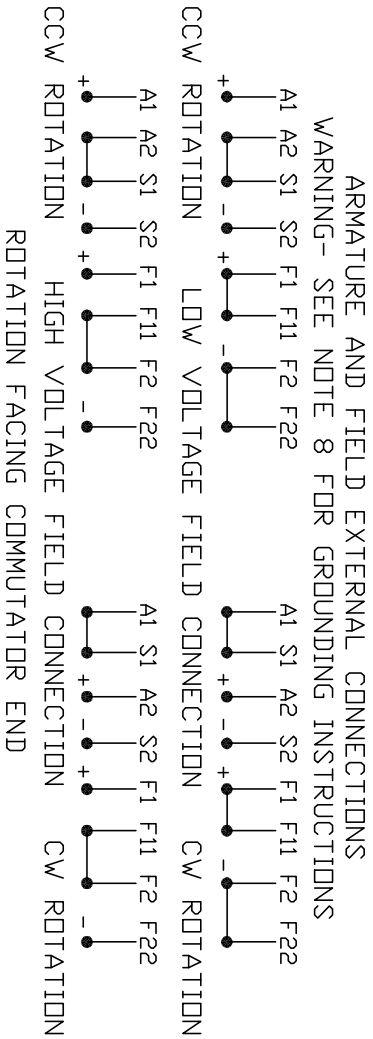
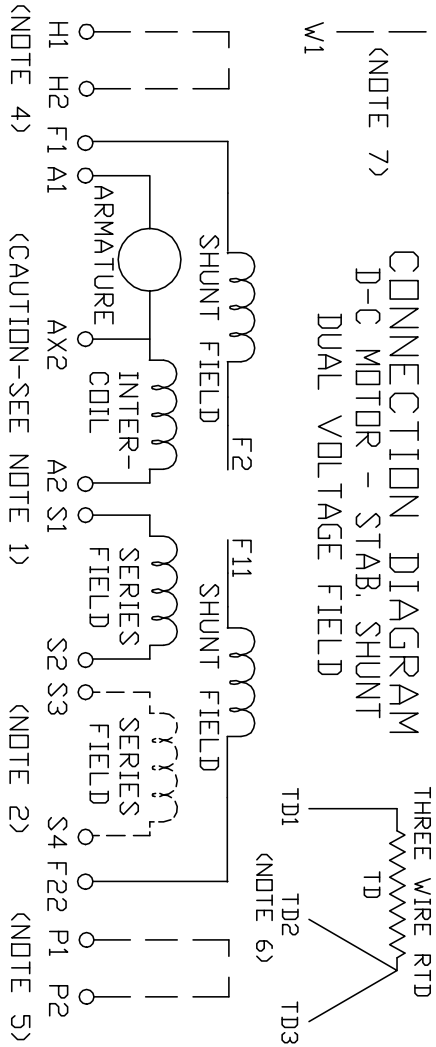
DIMENSION SHEET
SH 1 of 1

609959-001

406770-002

**CONNECTION DIAGRAM
D-C MOTOR - STAB. SHUNT
DUAL VOLTAGE FIELD**

406770-002



1. CAUTION — ARMATURE AND SERIES FIELD MAY HAVE MULTIPLE LEADS. CONNECT ALL LUGS WITH THE SAME MARKING TOGETHER.
 2. OPTIONAL SERIES FIELD IS MARKED S3 AND S4. FOR CUMULATIVE SERIES FIELD, CONNECT S3 TO S2 AND CONNECT S4 TO NEGATIVE. FOR DIFFERENTIAL SERIES FIELD CONNECT S4 TO S2 AND S3 TO NEGATIVE.
 3. OPTIONAL CONTROL SIGNAL LEAD IS MARKED AX2. ALWAYS TAKE INTERPOLE DROP BETWEEN A2 AND AX2. NOTE: NEMA DESIGNATION FOR AX2 IS LETTER C.
 4. SPACE HEATERS, WHEN PROVIDED, WILL HAVE LEADS MARKED H1 AND H2, H3, H4, ETC.
 5. THERMAL PROTECTOR, WHEN PROVIDED, WILL HAVE LEADS MARKED P1 AND P2, P3, P4, ETC.
 6. WINDING RTD'S, WHEN PROVIDED, WILL HAVE LEAD MARKED W1.
 7. BRUSH WEAR SENSOR, WHEN PROVIDED, WILL HAVE LEAD MARKED W1.
 8. WARNING — MOTOR MUST BE GROUNDED TO PREVENT SERIOUS INJURIES TO PERSONNEL. GROUND THE MOTOR PER IEC, NATIONAL ELECTRICAL CODE AND ANY APPLICABLE LOCAL ELECTRICAL CODES. A TAPPED HOLE IS PROVIDED IN THE CONDUIT BOX, ON THE FOOT. FRAME BRACE OR OPPOSITE OPPOSITE DRIVE END BRACKET, ADJACENT TO THE TERMINAL BOX FOR MOTOR GROUNDING. GROUND LEAD, WHEN PROVIDED, WILL BE GREEN.
- CUSTOMER _____ S.D. NO. _____
RELIANCE
CUSTOMER _____
ORDER NO. _____

REV. DESC: UPDATE LOGO AND TITLEBLOCK: LOADED TO BUS		
REV. LTR: -	VERSION: 00	TDR: 000000781086
FILE: \RSN\00026\434	REVISED: 02:35:07 02/01/2013	
MTL: -	BY: MGHPC	



D-C MOTOR CONNECTION DIAGRAM STAB. SHUNT, DUAL VOLTAGE FIELD

SH 1 of 1