

**BALDOR® • RELIANCE™**

---

# Customer information packet

## D51250R-BV

250HP, 1150RPM, DC, 4013ATZ, DPG-FV,

**Specifications**

<b>Enclosure</b>	DP
<b>Frame</b>	MC4013ATZ
<b>Frame Material</b>	Exposed Laminations
<b>Output Power</b>	250.000 HP
<b>Agency Approvals</b>	CCSA US
<b>Ambient Temperature</b>	40 °C
<b>Bearing Grease Type</b>	Polyrex EM (-20F +300F)
<b>Drip Cover</b>	No Drip Cover
<b>Feedback Device</b>	NO FEEDBACK
<b>Field Winding Type</b>	STR. SHUNT
<b>Frame Prefix</b>	MC
<b>Heater Indicator</b>	No Heater
<b>Lifting Lugs</b>	Standard Lifting Lugs
<b>Motor Standards</b>	NEMA
<b>Mounting Arrangement</b>	F2
<b>Overall Length</b>	56.94 IN
<b>Shaft Extension Location</b>	Pulley End
<b>Shaft Ground Indicator</b>	No Shaft Grounding
<b>Shaft Slinger Indicator</b>	No Slinger

**Part detail**

<b>Revision</b>	A
<b>Type</b>	DC
<b>Mech. spec.</b>	
<b>Base</b>	
<b>Status</b>	PRD/A
<b>Elec. spec.</b>	G7519E B
<b>Layout</b>	609962-013
<b>Eff. date</b>	08-30-2023
<b>CD Diagram</b>	
<b>Poles</b>	00
<b>Leads</b>	
<b>Proprietary</b>	False
<b>Created date</b>	04-09-2015

**Nameplate**

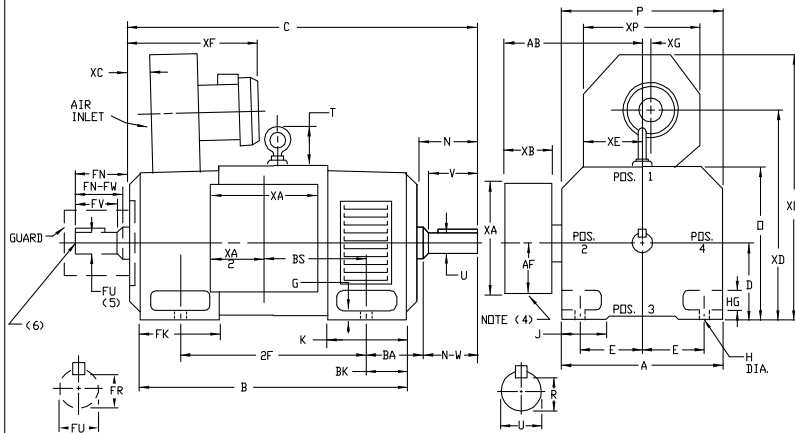
000613006HP					
<b>CAT.NO.</b>	D51250R-BV	<b>SPEC NO.</b>	T40S1317		
<b>FR</b>	MC 4013ATZ	<b>HP</b>	250	<b>DUTY</b>	CONT
<b>ENCL.</b>	DP	<b>RPM</b>	1150/2000	<b>S.F.</b>	1.0
<b>ENCL MOD</b>	FORCE VENT	<b>VOLTS</b>	500	<b>INSUL</b>	F
<b>MAX SAFE SPEED</b>	03000	<b>AMPS</b>	406.00	<b>AMB.</b>	40
	<b>FIELD DATA</b>	<b>SER.NO.</b>			
<b>WINDING</b>	STR. SHUNT	<b>POWER CODE</b>	C		
<b>VOLTS</b>	300	<b>D.E. BRG.</b>	95BC02J30X		
<b>MAX AMPS @ 25 C</b>	10.74	<b>O.D.E. BRG.</b>	95BC02J30X		
<b>HOT AMPS</b>	7.54/3.82	<b>MIN. AMB.</b>	0	<b>TYPE</b>	TR
	BRUSH:419904052AA				

609962-013

## INDUSTRIAL DIRECT CURRENT MOTORS AND GENERATORS - RPM III

ENCLOSURE: DRIP-PROOF FULLY-GUARDED COOLING: FORCE VENTILATED WITH INTEGRAL BLOWER AND MOTOR  
 MOUNTING: FOOT ACCESSORIES: PROVISION FOR TACHOMETER MOUNTING ONLY WHEN SPECIFIED

FRAMES C4011ATZ THRU ULC4013ATZ

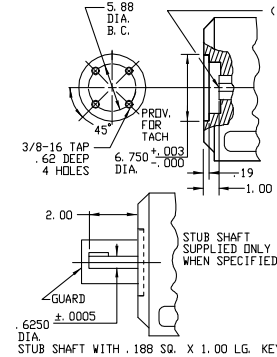


DIMENSIONS ARE IN INCHES

FRAME	A	B	C	D	E	G	H	HG	J	O	P	T	BA	K	FK	BK	AB	AF	RHK
C4011ATZ-ULC4013ATZ	19.38	10.00	8.00	1.06	1.06	2.82	3.50	19.81	19.56	4.31	6.62	8.75	12.12	5.25	16.12	8.00	6.240		

FRAME	METHOD OF DRIVE	C(7)	B	BS	2F	N	N-W	UC(2)	V	R(3)	SQ	LGTH	FN	FN-FW	FV(2)	FV(3)	SQ	LGTH	WT. LBS.	
C4011ATZ	COUPLED	36.19	42.06	16.00	28.00	7.62	7.25	3.625	7.00	3.134	.875	5.75	7.62	7.25	3.625	7.00	3.134	.875	5.75	2500
UC4011ATZ	BELTED	133.19	42.06	16.00	28.00	8.62	8.25	4.125	8.00	3.563	1.000	6.50	7.62	7.25	3.625	7.00	3.134	.875	5.75	2505
UMC4013ATZ	COUPLED	56.94	46.81	20.75	36.00	7.62	7.25	3.625	7.00	3.134	.875	5.75	7.62	7.25	3.625	7.00	3.134	.875	5.75	2800
UMC4013ATZ	BELTED	57.94	46.81	20.75	36.00	8.62	8.25	4.125	8.00	3.563	1.000	6.50	7.62	7.25	3.625	7.00	3.134	.875	5.75	2805
LC4013ATZ	COUPLED	60.19	50.06	24.00	36.00	7.62	7.25	3.625	7.00	3.134	.875	5.75	7.62	7.25	3.625	7.00	3.134	.875	5.75	3100
LC4013ATZ	BELTED	61.19	50.06	24.00	36.00	8.62	8.25	4.125	8.00	3.563	1.000	6.50	7.62	7.25	3.625	7.00	3.134	.875	5.75	3105



- (1) "D" DIMENSION WILL NOT BE EXCEEDED. SHIMS UP TO .06 INCHES IN THICKNESS ARE USUALLY REQUIRED FOR COUPLED OR GEARED MACHINES.
  - (2) "UF" AND "FUF" VARY -----.000 - .001
  - (3) "R" AND "FR" VARY -----.000 - .015
  - (4) CUSTOMER TO PROVIDE HOLE IN TERMINAL BOX FOR CONDUIT.
  - (5) OPPOSITE DRIVE END SHAFT SUPPLIED ONLY WHEN SPECIFIED.
  - (6) MOTOR SHAFT TAPPED FOR SCREW-IN STUB SHAFT
  - (7) WHEN THE MOTOR APPLICATION DOES NOT REQUIRE THE USE OF DPP, DRIVE END, ADD .25 TO "C" DIM. FOR BRACKET COVER.
- TERMINAL BOX LOCATED ON OPPOSITE SIDE WHEN F=2, W=1, W=4, W=5, W=7, OR C=1 MOUNTING IS SPECIFIED. BOX LOCATED ON TOP WHEN SPECIFIED. BLOWER ASSEMBLY CAN BE LOCATED AT POSITIONS 1, 2, OR 4, EXCEPT MOTOR WEIGHT MAY VARY 15% FOR NON-STANDARD RATINGS AND/OR ACCESSORIES. IF MOUNTING CLEARANCE DETAILS ARE REQUIRED, CONSULT FACTORY.

609962-013

CUSTOMER IS RESPONSIBLE FOR DETERMINING THAT BALDOR'S PRODUCT WILL PERFORM SUITABLY IN THE INTENDED APPLICATION.

REV. DESC: LOADED TO BUS		
REV. LTR: -	VERSION: 00	TDR: 000000577407
FILE: \RGG\00015\600	REVISED: 12:04:54 01/26/2011	BY: CONNAS
MTL: -		

**BALDOR**

DIMENSION DRAWING, C4011ATZ - ULC4013ATZ, DPP, FOOT MTG.

SH 1 of 1