

ABB BALDOR RELIANCE III



Customer information packet D5060P-BV

365-6AT, 60, 1750RPM, 500, 150, ,

Specifications

Armature Voltage	500 V
Base Speed	1750 rpm
Enclosure	DPBV
Field Voltage	150 V
	300 V
Frame	365-6AT
Frame Material	Steel
Output Power	60.000 HP
Agency Approvals	CSA
Ambient Temperature	40 °C
Armature Current	98.6 a
Bearing Grease Type	Polyrex EM (-20F +300F)
Drip Cover	No Drip Cover
Duty Rating	CONT
Electrically Isolated Bearing	Not Electrically Isolated
Feedback Device	NO FEEDBACK
Field Winding Type	STAB SHUNT
Heater Indicator	No Heater
Insulation Class	F
Lifting Lugs	Standard Lifting Lugs
Motor Standards	NEMA
Mounting Arrangement	F1
Overall Length	32.94 IN
Service Factor	1.00
Shaft Diameter	2.375 IN
Shaft Extension Location	Pulley End
Shaft Ground Indicator	No Shaft Grounding
Shaft Slinger Indicator	No Slinger

Part Detail

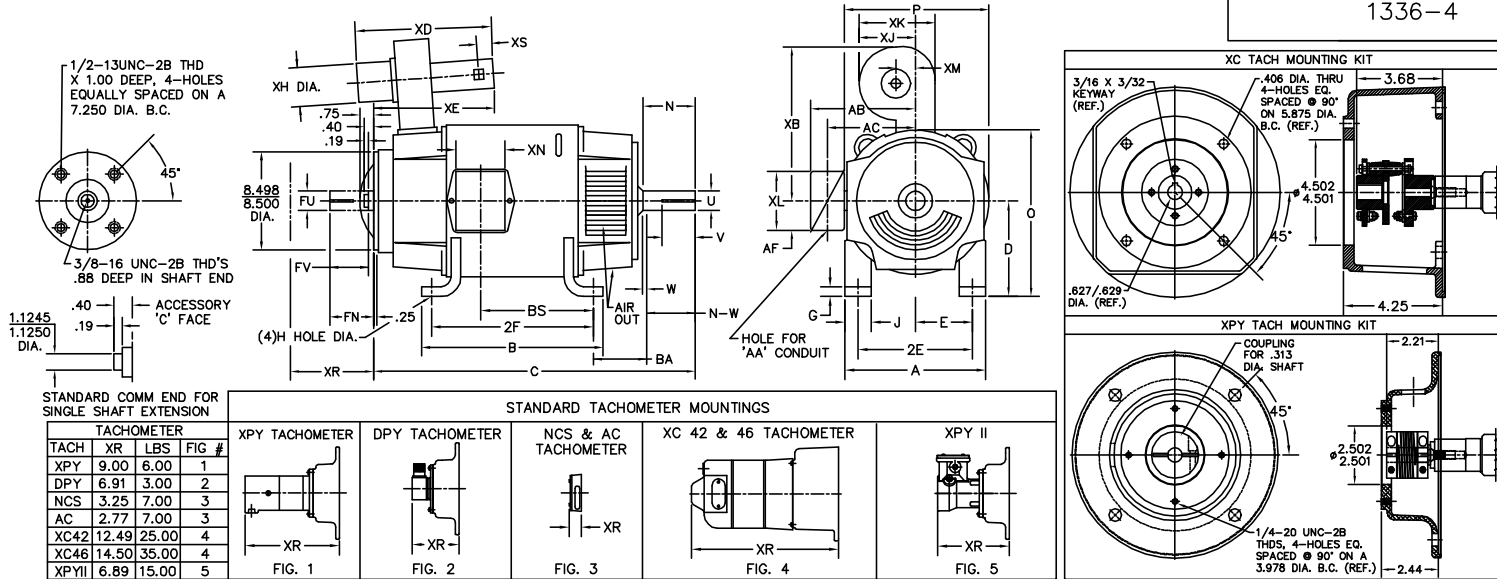
Revision	B
Type	DC
Mech. spec.	
Base	
Status	PRD/A
Elec. spec.	K0068A A
Layout	1336-4
Eff. date	03-06-2019
CD Diagram	15209
Poles	00
Leads	
Proprietary	False
Created date	04-09-2015

Nameplate

NP1734					
CAT.NO.		MODEL	T36R8005		
HP	60	RPM	1750/2100	FRAME	365-6AT
ARM V	500	ARM A	98.60	WOUND	STAB SHUNT
FLD V	150/300	FLD A	5.86-3.50/2.93-1.75		
CONN		OHMS		CL	F
ENCL	DPBV	DUTY	CONT	MX AMB	40
P CODE	C	CTSR		SER.F.	1.0
S/N			E/S	K0068A A	
	BRUSH:36024-3				
O.D.E. BRG.	6211	D.E. BRG.	6213	BRUSH	QTY

Accessories

Part number	Description	Multiplier
D5060P-BV	365-6AT,60,1750RPM,500,150,,	N2



STANDARD COMM END FOR SINGLE SHAFT EXTENSION					STANDARD TACHOMETER MOUNTINGS				
TACH	XR	LBS	FIG #		XPY TACHOMETER	DPY TACHOMETER	NCS & AC TACHOMETER	XC 42 & 46 TACHOMETER	XPY II
XPY	9.00	6.00	1						
DPY	6.91	3.00	2						
NCS	3.25	7.00	3						
AC	2.77	7.00	3						
XC42	12.49	25.00	4						
XC46	14.50	35.00	4						
XPYII	6.89	15.00	5						

FRAME	FOOT MOUNTING				D.E. SHAFT EXTENSION				DRIVE KEY				ACC SHAFT EXTENSION				FRAME							
	BA	E	2F	G	H	J	N	N-W	U	V	W	KEY-SQ.	KEY-LONG	FN	FU	FV	KEY-SQ.	KEY-LONG	A	B	C	D	O	P
327AT	5.25	6.25	14.00	.81	.656	3.00	4.40	4.25	2.125	4.00 ³	.15	.500	3.12	3.94	1.875	3.69	.500	2.81	15.88	15.75	32.75	8.00 ²	15.94	15.88
328AT	5.25	6.25	16.00	.81	.656	3.00	4.40	4.25	2.125	4.00 ³	.15	.500	3.12	3.94	1.875	3.69	.500	2.81	15.88	17.75	34.63	8.00 ²	15.94	15.88
329AT	5.25	6.25	18.00	.81	.656	3.00	4.40	4.25	2.125	4.00 ³	.15	.500	3.12	3.94	1.875	3.69	.500	2.81	15.88	19.75	36.63	8.00 ²	15.94	15.88
365AT	5.88	7.00	12.25	.81	.813	3.25	4.94	4.75	2.375	4.50 ³	.19	.625	3.50	4.62	2.125	4.37	.500	3.13	17.75	13.75	32.94	9.00 ²	17.94	17.88
366AT	5.88	7.00	14.00	.81	.813	3.25	4.94	4.75	2.375	4.50 ³	.19	.625	3.50	4.62	2.125	4.37	.500	3.13	17.75	15.50	35.13	9.00 ²	17.94	17.88
368AT	5.88	7.00	18.00	.81	.813	3.25	4.94	4.75	2.375	4.50 ³	.19	.625	3.50	4.62	2.125	4.37	.500	3.13	17.75	19.50	38.13	9.00 ²	17.94	17.88
3610AT	5.88	7.00	22.00	.81	.813	3.25	4.94	4.75	2.375	4.50 ³	.19	.625	3.50	4.62	2.125	4.37	.500	3.13	17.75	23.50	41.45	9.00 ²	17.94	17.88
3612AT	5.88	7.00	28.00	.81	.813	3.25	4.94	4.75	2.375	4.50 ³	.19	.625	3.50	4.62	2.125	4.37	.500	3.13	17.75	29.50	45.56	9.00 ²	17.94	17.88

FRAME	CONDUIT BOX				BLOWER										ARM APPROX. WK ² LBS.FT. ²	APPROXIMATE WEIGHT		
	AA	AB	AC	AF	BS	XL	XN	SIZE	XB	XD	XE	XH	XM	XJ			XK	XS
327AT	2	12.94	10.32	5.00	11.81	7.88	5.25	LM6	19.13	26.38	17.38	10.25	4.19	9.44	11.50	3.75	8.45	738 ⁵
328AT	2	12.94	10.32	5.00	13.68	7.88	5.25	LM6	19.13	26.38	17.38	10.25	4.19	9.44	11.50	3.75	9.67	813 ⁵
329AT	2	12.94	10.32	5.00	15.68	7.88	5.25	LM6	19.13	26.38	17.38	10.25	4.19	9.44	11.50	3.75	10.97	922 ⁵
365AT	2 1/2	14.06	11.38	5.00	9.06	7.88	5.25	LM6	18.88	26.38	18.44	10.25	5.69	10.95	11.50	3.75	15.61	803 ⁵
366AT	2 1/2	14.06	11.38	5.00	11.25	7.88	5.25	LM6	18.88	26.38	18.44	10.25	5.69	10.95	11.50	3.75	18.27	913 ⁵
368AT	2 1/2	14.06	11.38	5.00	14.25	7.88	5.25	LM6	18.88	26.38	18.44	10.25	5.69	10.95	11.50	3.75	22.21	1073 ⁵
3610AT	3	16.86	13.09	6.53	18.25	11.63	7.76	LM9	25.50	28.31	20.94	10.75	5.50	12.38	15.25	3.75	28.00	1109 ⁵
3612AT	3	16.86	13.09	6.53	24.25	11.63	7.76	LM9	25.50	28.31	20.94	10.75	5.50	12.38	15.25	3.75	31.60	1145 ⁵

- 1) SHAFT DIAMETERS TO 1.500 TOLERANCE +.0000 - .0005
SHAFT DIAMETERS ABOVE 1.500 TOLERANCE +.0000 - .0010
SHAFT DIAMETERS TO 1.625 RUNOUT .002 T.I.R. MAX.
SHAFT DIAMETERS ABOVE 1.625 RUNOUT .003 T.I.R. MAX.
- 2) 'D' DIMENSION TOLERANCE +.000 - .060
- 3) 'V' DIMENSION IS MAX. HUB LENGTH ON SHAFT
- 4) CONDUIT BOX CAN BE ROTATED IN 90° STEPS ON ITS OWN AXIS.
- 5) TOTAL WEIGHT OF MOTOR AND BLOWER LESS TACH WEIGHT
- 6) ALL DIMENSIONS NOT NOTED ARE NOMINAL DIMENSIONS CONSULT FACTORY FOR TOLERANCES.

FOR F1 OR F2 CONDUIT BOX LOCATION SEE SALES ORDER

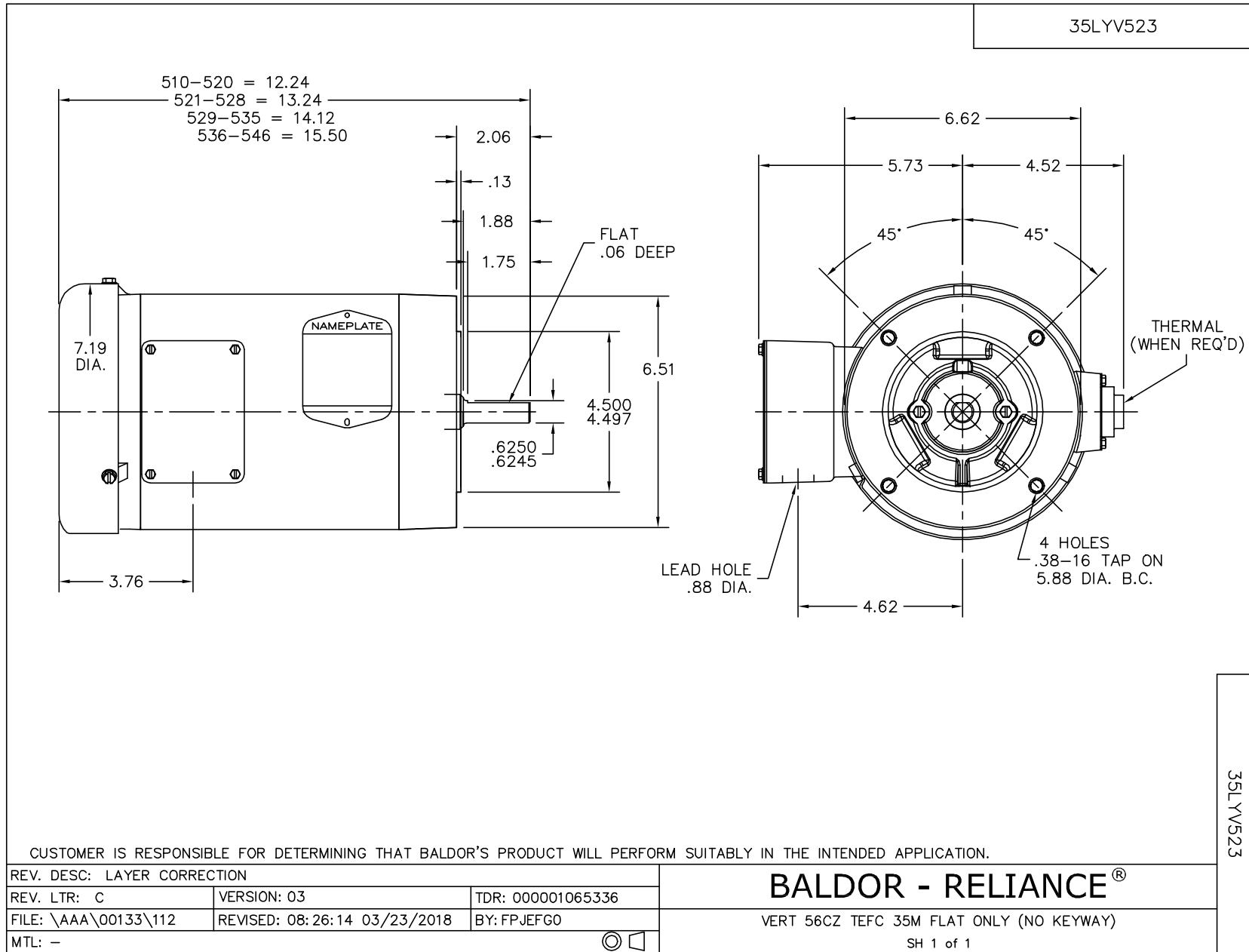
CUSTOMER IS RESPONSIBLE FOR DETERMINING THAT BALDOR'S PRODUCT WILL PERFORM SUITABLY IN THE INTENDED APPLICATION.

REV. DESC: REV. "D" DIM TO +.000 -.060 ONLY	VERSION: 01	TDR: 000000752448
REV. LTR: G	FILE: \RGG\00019\490	REVISED: 01:55:17 06/19/2012
MTL: -		BY: RGGNAS

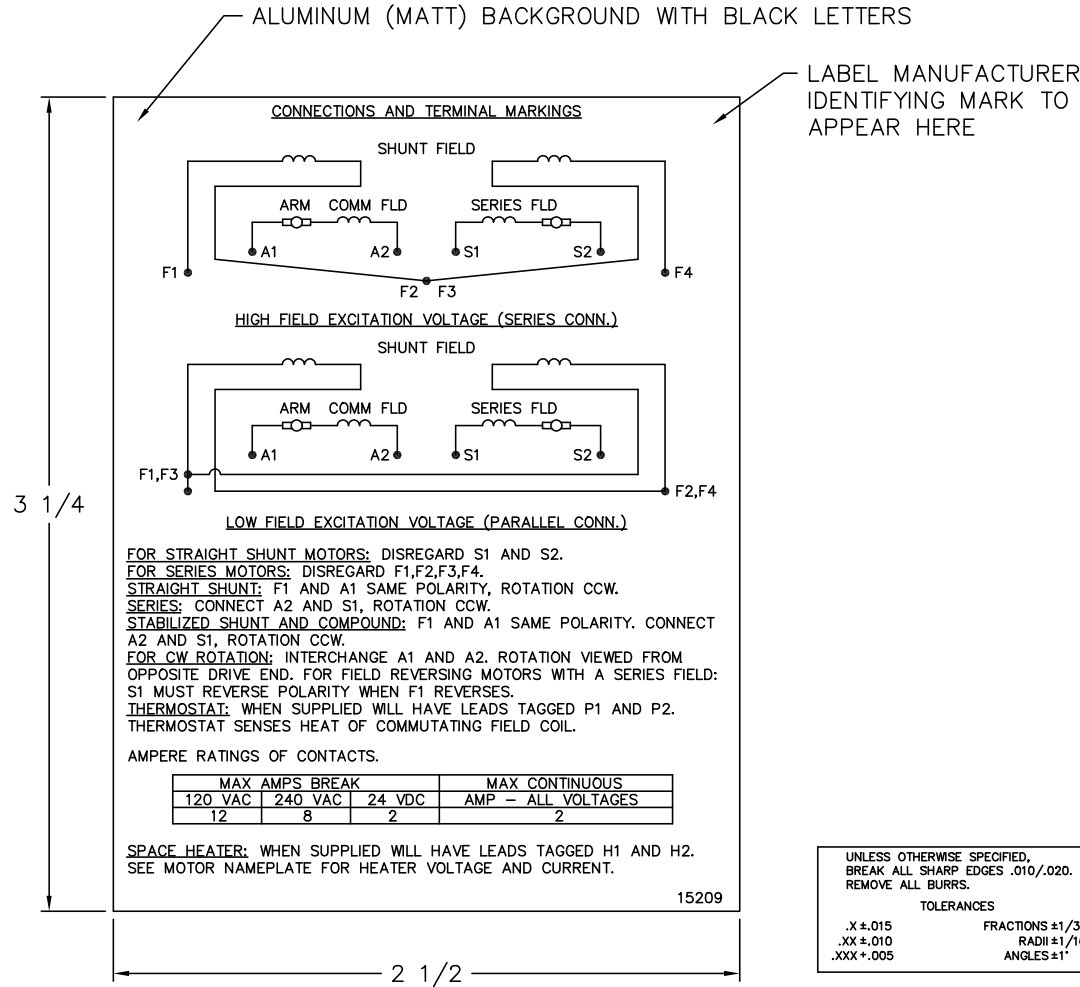
BALDOR

DIM SHEET: 327-3612AT,DPBV,W/TACH
SH 1 of 1

1336-4



15209



NOTE:
 MATERIAL .005 MINIMUM FULL HARD ALUMINUM DULL FINISH.
 TEMP. RANGE -20°C TO +125°C MAXIMUM.
 FOR INDOOR AND OUTDOOR MOUNTING BACK.
 METAL, PRESSURE SENSITIVE BACK. MUST MEET CSA STANDARD.
 THE CSA IDENTIFYING MARK OF THE LABEL MANUFACTURER MUST APPEAR IN THE UPPER RIGHT HAND CORNER AS INDICATED.

UNLESS OTHERWISE SPECIFIED, BREAK ALL SHARP EDGES .010/.020. REMOVE ALL BURRS.

TOLERANCES

.X ±.015 FRACTIONS ±1/32
 .XX ±.010 RADII ±1/16
 .XXX +.005 ANGLES ±1°

15209

MATL: NOTED			
REV:	G	CHANGE ALL "NAMEPLATE" TEXT TO "LABEL"	
60Z91		SCALE: -	BY: BKW
		FILE: CHB00002485	REVISED: 02/19/97
		TDR: 0115147	

BALDOR ELECTRIC Co.

LABEL, CONNECTIONS AND TERMINAL MARKINGS DC