

**BALDOR® • RELIANCE™**

---

# Customer information packet

## D50300RS-BV

300HP, 1750RPM, DC, 4013ATZ, DPG-FV,

**Specifications**

<b>Enclosure</b>	DP
<b>Frame</b>	MC4013ATZ
<b>Frame Material</b>	Exposed Laminations
<b>Output Power</b>	300.000 HP
<b>Agency Approvals</b>	CCSA US
<b>Ambient Temperature</b>	40 °C
<b>Bearing Grease Type</b>	Polyrex EM (-20F +300F)
<b>Drip Cover</b>	No Drip Cover
<b>Feedback Device</b>	NO FEEDBACK
<b>Field Winding Type</b>	STAB SHUNT
<b>Frame Prefix</b>	MC
<b>Heater Indicator</b>	No Heater
<b>Lifting Lugs</b>	Standard Lifting Lugs
<b>Motor Standards</b>	NEMA
<b>Mounting Arrangement</b>	F2
<b>Overall Length</b>	56.94 IN
<b>Shaft Extension Location</b>	Pulley End
<b>Shaft Ground Indicator</b>	No Shaft Grounding
<b>Shaft Slinger Indicator</b>	No Slinger

**Part detail**

<b>Revision</b>	-
<b>Type</b>	DC
<b>Mech. spec.</b>	
<b>Base</b>	
<b>Status</b>	PRD/A
<b>Elec. spec.</b>	G7648A A
<b>Layout</b>	609962-025
<b>Eff. date</b>	04-13-2015
<b>CD Diagram</b>	406770-001
<b>Poles</b>	00
<b>Leads</b>	
<b>Proprietary</b>	False
<b>Created date</b>	04-09-2015

**Nameplate**

**000613006LP**

<b>CAT.NO.</b>	D50300RS-BV	<b>SPEC NO.</b>	T40S1309		
<b>FR</b>	MC 4013ATZ	<b>HP</b>	300	<b>DUTY</b>	CONT
<b>ENCL.</b>	DP	<b>RPM</b>	1750/ 2000	<b>S.F.</b>	1.0
<b>ENCL MOD</b>	FORCE VENT	<b>VOLTS</b>	500	<b>INSUL</b>	F
<b>MAX SAFE SPEED</b>	3000	<b>AMPS</b>	478.00	<b>AMB.</b>	40
	<b>FIELD DATA</b>	<b>SER.NO.</b>			
<b>WINDING</b>	STAB SHUNT	<b>POWER CODE</b>	C		
<b>VOLTS</b>	300	<b>D.E. BRG.</b>	95BC02J30X		
<b>MAX AMPS @ 25 C</b>	6.50	<b>O.D.E. BRG.</b>	95BC02J30X		
<b>HOT AMPS</b>	4.76/ 3.92	<b>MIN. AMB.</b>	0	<b>TYPE</b>	TR
	BRUSH:419904052AB; AIR BAFFLED				

609962-025

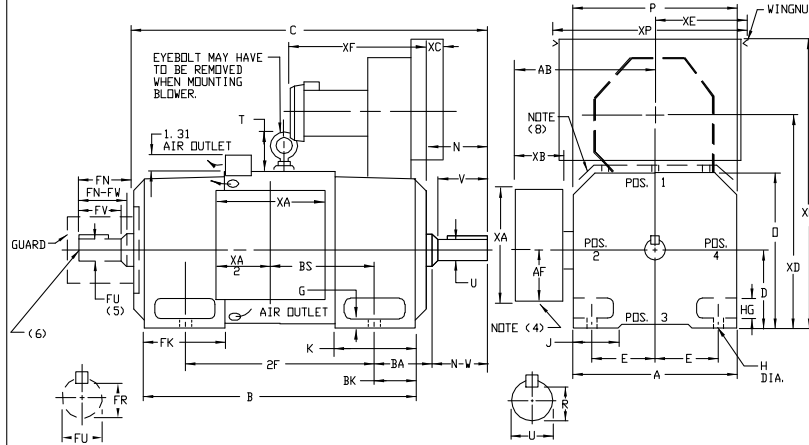
## INDUSTRIAL DIRECT CURRENT MOTORS AND GENERATORS - RPM III

ENCLOSURE: DRIP-PROOF FULLY-GUARDED,  
SPLASHPROOF  
MOUNTING: FOOT

COOLING: FORCE VENTILATED WITH  
INTEGRAL BLOWER AND  
MOTOR AIR FILTERED-  
SPECIAL BAFFLE

ACCESSORIES: PROVISION FOR  
TACHOMETER MOUNTING  
ONLY WHEN SPECIFIED

FRAMES C4011ATZ THRU ULC4013ATZ

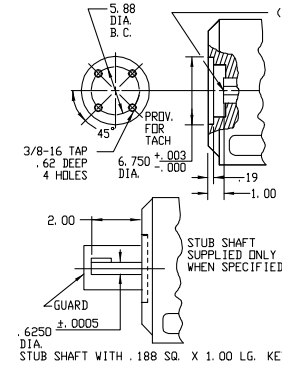


DIMENSIONS ARE IN INCHES

FRAME	A	B (1)	E	G	H	HG	J	D	P	T	BA	K	FK	BK	AB	AF	RH(6)
C4011ATZ-ULC4013ATZ	19.38	10.00	8.00	1.06	1.06	2.82	3.50	19.81	19.56	4.31	6.62	8.75	12.12	5.25	16.12	8.00	6.240

FRAME	METHOD OF DRIVE	C (7)	B	BS	2F	DRIVE END SHAFT AND KEY					(5) OPPOSITE DRIVE END SHAFT AND KEY					WT. LBS.				
						N-W	UK(2)	V	RC(3)	SO	LGTH	FN	FN-FW	FUK(2)	FV		FR(3)	SO	LGTH	
C4011ATZ	COUPLED	52.19	42.06	16.00	28.00	7.62	7.25	3.625	7.00	3.134	.875	5.75	7.62	7.25	3.625	7.00	3.134	875	5.75	2900
UC4011ATZ	BELTED	53.19	42.06	16.00	28.00	8.62	8.25	4.125	8.00	3.563	1.000	6.50	7.62	7.25	3.625	7.00	3.134	875	5.75	2505
MC4013ATZ	COUPLED	56.94	46.81	20.75	36.00	7.62	7.25	3.625	7.00	3.134	.875	5.75	7.62	7.25	3.625	7.00	3.134	875	5.75	2800
UMC4013ATZ	BELTED	57.94	46.81	20.75	36.00	8.62	8.25	4.125	8.00	3.563	1.000	6.50	7.62	7.25	3.625	7.00	3.134	875	5.75	2805
LC4013ATZ	COUPLED	60.19	50.06	24.00	36.00	7.62	7.25	3.625	7.00	3.134	.875	5.75	7.62	7.25	3.625	7.00	3.134	875	5.75	3100
ULC4013ATZ	BELTED	61.19	50.06	24.00	36.00	8.62	8.25	4.125	8.00	3.563	1.000	6.50	7.62	7.25	3.625	7.00	3.134	875	5.75	3105



FRAME	XA	XB	XC	XD	XE	XF	XD	XP
C4011ATZ-ULC4013ATZ	16.00	6.00	1.25	26.00	9.84	18.75	42.94	22.50

- (1) \*D\* DIMENSION WILL NOT BE EXCEEDED. SHIMS UP TO .06 INCHES IN THICKNESS ARE USUALLY REQUIRED FOR COUPLED OR GEARED MACHINES.
  - (2) \*UF AND FV\* VARY ----> .000 - .001
  - (3) \*R\* AND \*FR\* VARY ----> .000 - .015
  - (4) CUSTOMER TO PROVIDE HOLE IN TERMINAL BOX FOR CONDUIT.
  - (5) OPPOSITE DRIVE END SHAFT SUPPLIED ONLY WHEN SPECIFIED.
  - (6) MOTOR SHAFT TAPPED FOR SCREW-IN STUB SHAFT
  - (7) WHEN THE MOTOR APPLICATION DOES NOT REQUIRE THE USE OF OPP. DRIVE END, ADD .25 TO \*C\* DIM. FOR BRACKET COVER.
  - (8) FOR HORIZONTAL APPLICATIONS ONLY.
- TERMINAL BOX LOCATED ON OPPOSITE SIDE WHEN F-2, W-1, W-4, W-5, W-7, OR C-1 MOUNTING IS SPECIFIED. BOX LOCATED ON TOP WHEN SPECIFIED. BLOWER ASSEMBLY CAN BE LOCATED AT POSITIONS 1, 2, OR 4. MOTOR WEIGHT MAY VARY 15% FOR NON-STANDARD RATINGS AND/OR ACCESSORIES. IF MOUNTING CLEARANCE DETAILS ARE REQUIRED, CONSULT FACTORY.

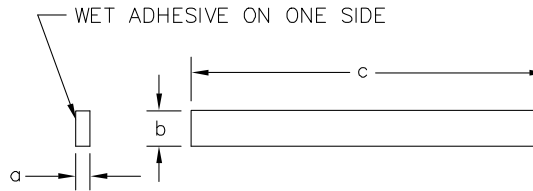
609962-025

CUSTOMER IS RESPONSIBLE FOR DETERMINING THAT BALDOR'S PRODUCT WILL PERFORM SUITABLY IN THE INTENDED APPLICATION.

REV. DESC: LOADED TO BUS	VERSION: 00	TDR: 000000577407
REV. LTR: -	REvised: 12: 40: 55 01/26/2011	BY: CONNAS
FILE: \RGG\00015\603		
MTL: -		

**BALDOR**  
DIMENSION DRAWING, C4011ATZ - ULC4013ATZ, DPP, FOOT MTG.  
SH 1 of 1

065564-004



SYM	MAKE FROM 065564-004	a	b	c	REMARKS
A	X	1/8	5/8	24*	TERMBOX & CVR 180AT-250AT
B	X	1/8	5/8	37 1/2*	TERMBOX & CVR 280AT-320AT
C	Y	1/4	5/8	44 1/2 $\Delta$	FILTER TO HOUSING GASKET
D	X	1/8	5/8	170"	TEAO HEAT EXCH.
E	Y	1/4	5/8	72" $\Delta$	TERMBOX & CVR

SYM	MAT'L SPEC	a	b	c
X	46024-XV	1/8	5/8	* 50' ROLL; WET ADHESIVE ON ONE SIDE
Y	46024-XV	1/4	5/8	* 50' ROLL; WET ADHESIVE ON ONE SIDE

$\Delta$  RELIANCE WILL CUT AND MOUNT ON FILTER HOUSING PER ASSEMBLY DRAWING 603989-2.

\* PROD. NOTE: WHEN ORDERING THRU PURCHASING ORDER AS 50 FT. ROLLS, WET ADHESIVE ON ONE SIDE. RELIANCE WILL CUT AND MOUNT ON COVER. PER INSTRUCTIONS ON COVER DRAWINGS.

CUSTOMER IS RESPONSIBLE FOR DETERMINING THAT BALDOR'S PRODUCT WILL PERFORM SUITABLY IN THE INTENDED APPLICATION.

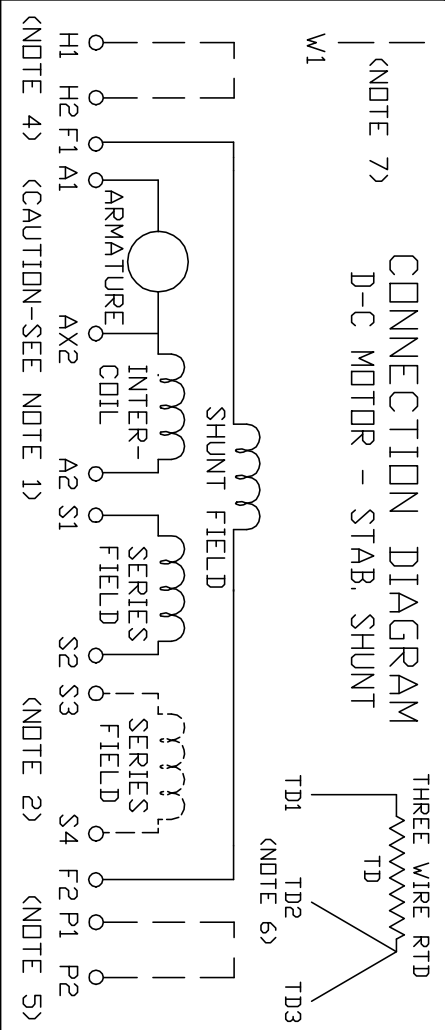
REV. DESC: CHANGE DESCRIPTION ON TITLE BLOCK		
REV. LTR: C	VERSION: 03	TDR: 00000571980
FILE: \RGG\00000\220	REVISED: 10:54:04 12/16/2010	BY: RGGWT
MTL: -		

**BALDOR**  
GASKET,STRIP,CLOSED CELL NEOPRENE  
SH 1 of 1

065564-004

406770-001

406770-001



ARMATURE AND FIELD EXTERNAL CONNECTIONS  
WARNING- SEE NOTE 8 FOR GROUNDING INSTRUCTIONS



ROTATION FACING COMMUTATOR END

1. CAUTION — ARMATURE AND SERIES FIELD MAY HAVE MULTIPLE LEADS. CONNECT ALL LUGS WITH THE SAME MARKING TOGETHER.
2. OPTIONAL SERIES FIELD IS MARKED S3 AND S4. FOR CUMULATIVE SERIES FIELD, CONNECT S3 TO S2 AND CONNECT S4 TO NEGATIVE. FOR DIFFERENTIAL SERIES FIELD CONNECT S4 TO S2 AND S3 TO NEGATIVE.
3. OPTIONAL CONTROL SIGNAL LEAD IS MARKED AX2. ALWAYS TAKE INTERPOLE DROP BETWEEN A2 AND AX2. NOTE: NEMA DESIGNATION FOR AX2 IS LETTER C.
4. SPACE HEATERS, WHEN PROVIDED, WILL HAVE LEADS MARKED H1 AND H2, H3, H4, ETC.
5. THERMAL PROTECTOR, WHEN PROVIDED, WILL HAVE LEADS MARKED P1 AND P2, P3, P4, ETC.
6. WINDING RTD'S, WHEN PROVIDED, WILL HAVE LEADS MARKED TD1, TD2, & TD3
7. BRUSH WEAR SENSOR, WHEN PROVIDED, WILL HAVE LEAD MARKED W1.
8. WARNING — MOTOR MUST BE GROUNDED TO PREVENT SERIOUS INJURIES TO PERSONNEL. GROUND THE MOTOR PER IEC, NATIONAL ELECTRICAL CODE AND ANY APPLICABLE LOCAL ELECTRICAL CODES. A TAPPED HOLE IS PROVIDED IN THE CONDUIT BOX, ON THE FOOT, FRAME BRACE OR OPPOSITE DRIVE END BRACKET, ADJACENT TO THE TERMINAL BOX FOR MOTOR GROUNDING. GROUND LEAD, WHEN PROVIDED, WILL BE GREEN.

CUSTOMER \_\_\_\_\_ ORDER NO. \_\_\_\_\_ S.D. NO. \_\_\_\_\_  
 CUSTOMER RELIANCE

REV. DESC: DELETED DUPLICATE WORDS FROM NOTE 8		
REV. LTR: A	VERSION: 01	TDR: 00000970330
FILE: \RSN\00026\422	REVISED: 10:19:12 03/11/2016	BY: RAGTBM
MTL: -	☐	

**BALDOR**  
 D-C MOTOR CONNECTION DIAGRAM STAB. SHUNT  
 SH 1 of 1