

BALDOR • RELIANCE

Customer information packet

D50250P2-BV

250HP, 1750/1900RPM, DC, 504-6AT, DPBV, F1, N

Specifications

Armature Voltage	500 V
Base Speed	1750 rpm
Enclosure	DPBV
Field Voltage	150 V
	300 V
Frame	504AT
Frame Material	Steel
Output Power	250.000 HP
Agency Approvals	CSA
Ambient Temperature	40 °C
Armature Current	405.0 a
Bearing Grease Type	Polyrex EM (-20F +300F)
Drip Cover	No Drip Cover
Duty Rating	CONT
Feedback Device	NO FEEDBACK
Field Winding Type	STR. SHUNT
Heater Indicator	No Heater
Insulation Class	F
Lifting Lugs	Standard Lifting Lugs
Motor Standards	NEMA
Mounting Arrangement	F1
Overall Length	45.75 IN
Service Factor	1.00
Shaft Diameter	3.249 IN
Shaft Extension Location	Pulley End
Shaft Ground Indicator	No Shaft Grounding
Shaft Slinger Indicator	No Slinger

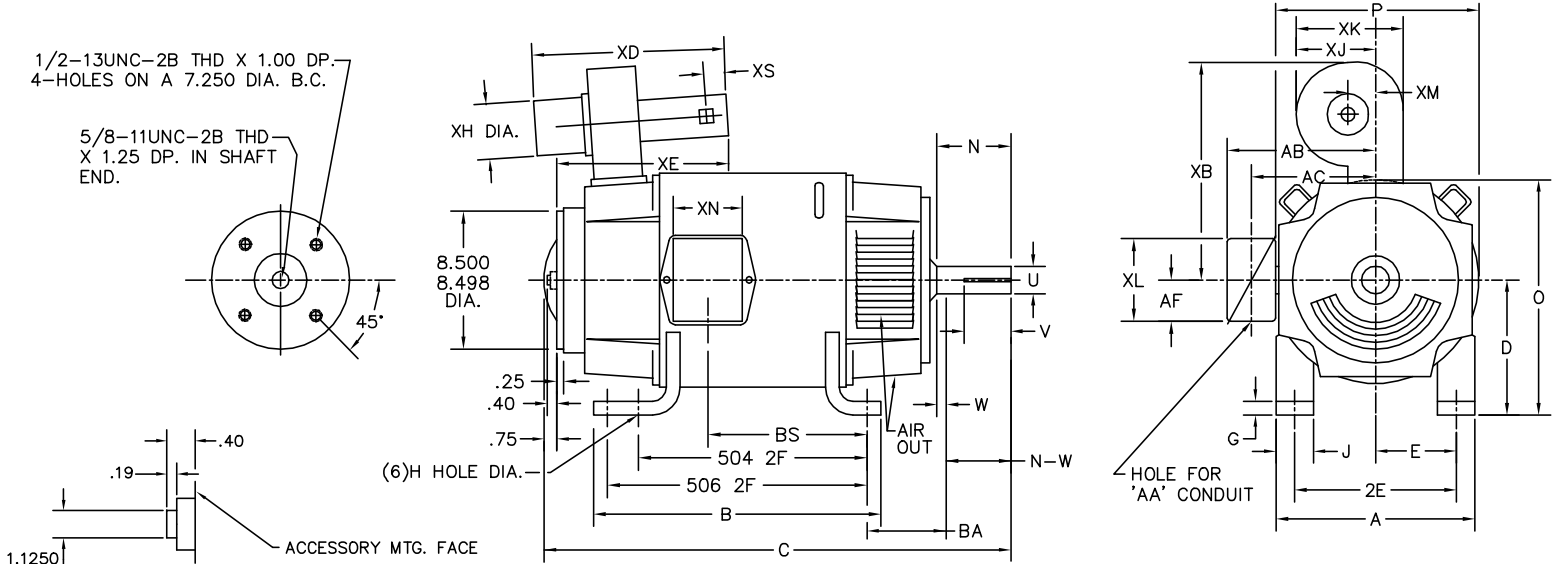
Part detail

Revision	D
Type	DC
Mech. spec.	
Base	
Status	PRD/A
Elec. spec.	K0112A A
Layout	2339-4
Eff. date	03-22-2022
CD Diagram	15209
Poles	00
Leads	
Proprietary	False
Created date	04-09-2015

Nameplate

NP1734					
CAT.NO.	D50250P2-BV	MODEL	T50R8003		
HP	250	RPM	1750/1900	FRAME	504-6AT
ARM V	500	ARM A	405.00	WOUND	STR. SHUNT
FLD V	150/300	FLD A	14.58-9.70/7.29-4.85		
CONN		OHMS		CL	F
ENCL	DPBV	DUTY	CONT	MX AMB	40
P CODE	C	CTSR		SER.F.	1.0
S/N		E/S	K0112A A		
	BRUSH:50034-2				
O.D.E. BRG.	6216	D.E. BRG.	6218	BRUSH	QTY

2339-4



FRAME	FOOT MOUNTING						D.E. SHAFT EXTENSION						DRIVE KEY		FRAME					
	BA	E	504 2F	506 2F	G	H	J	N	N-W	U	V	W	KEY-SQ.	KEY-LONG	A	B	C	D	O	P
504-6AT	8.50	10.00	16.00	20.00	1.18	1.188	4.50	6.76	6.57	3.250 ¹	6.32 ⁴	.19	.750	5.25	24.88	22.88	45.75	12.50 ³	24.91	24.81

FRAME	CONDUIT BOX							BLOWER									APPROXIMATE WEIGHT
	AA	AB	AC	AF	BS	XL	XN	SIZE	XB	XD	XE	XH	XM	XJ	XK	XS	
504-6AT	3	20.65	16.81	2.62	13.25	11.63	7.76	9	25.50	28.31	20.94	10.75	5.50	12.38	15.25	3.75	1957

- 1) SHAFT DIAMETERS ABOVE 1.500 TOLERANCE +.0000 -.0010
- 2) SHAFT DIAMETERS ABOVE 1.625 RUNOUT .003 T.I.R. MAX.
- 3) 'D' DIMENSION TOLERANCE +.000 - .060
- 4) 'V' DIMENSION IS MAX. HUB LENGTH ON SHAFT
- 5) CONDUIT BOX CAN BE ROTATED IN 90° STEPS ON ITS OWN AXIS.
- 6) ALL DIMENSIONS NOT NOTED ARE NOMINAL DIMENSIONS CONSULT FACTORY FOR TOLERANCES.

CUSTOMER IS RESPONSIBLE FOR DETERMINING THAT MOTOR PERFORMANCE IS SUITABLE IN THE APPLICATION.

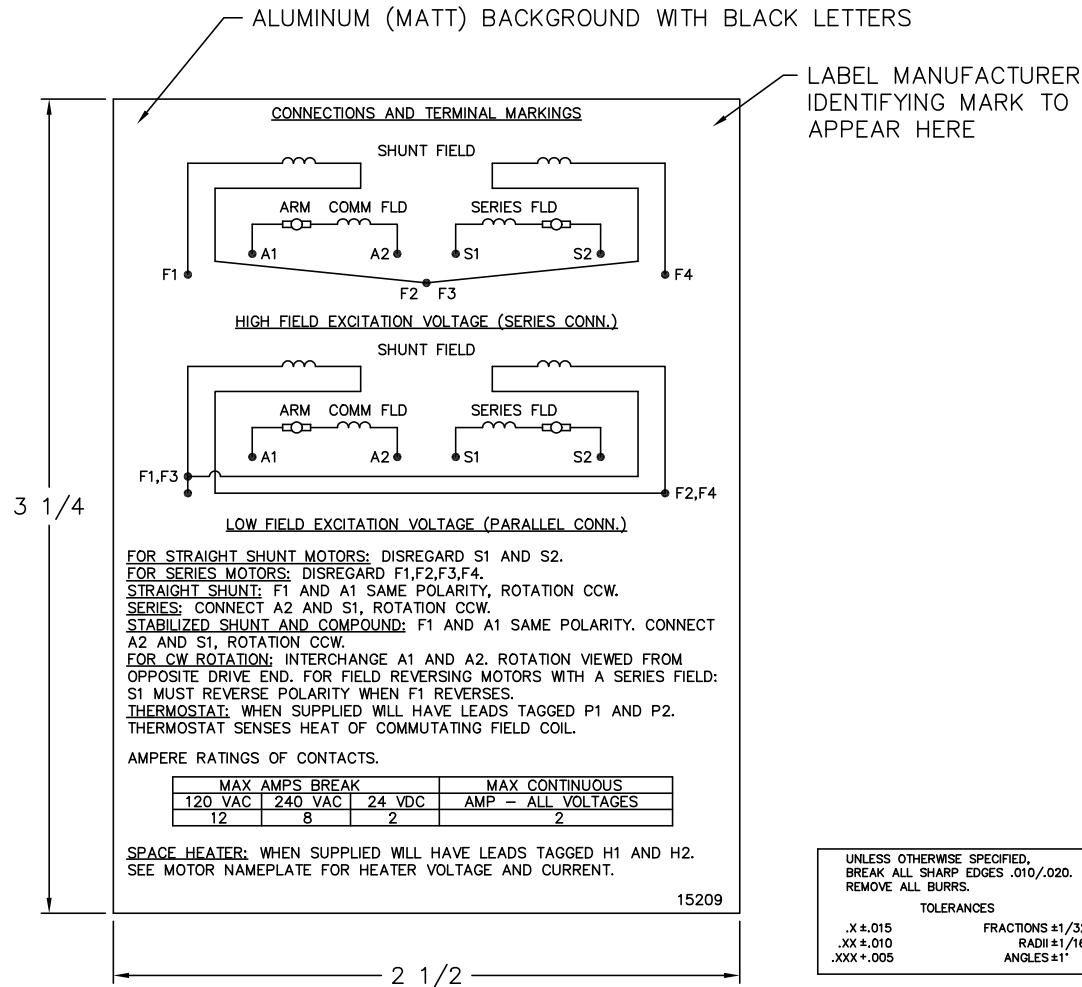
REV. DESC: NEW			
REV. LTR: -	BY: MBT	REVISED: 08:49:51 04/08/2004	TDR: 328876
2339-4		FILE: CHB00011581	REF: 2339-4
		MTL: -	

BALDOR ELECTRIC Co.

DIM SHEET,504-6AT,DPBV,504/506 MTG,LM9 BLOWER

2339-4

15209



NOTE:
 MATERIAL .005 MINIMUM FULL HARD ALUMINUM DULL FINISH.
 TEMP. RANGE -20°C TO +125°C MAXIMUM.
 FOR INDOOR AND OUTDOOR MOUNTING BACK.
 METAL, PRESSURE SENSITIVE BACK. MUST MEET CSA STANDARD.
 THE CSA IDENTIFYING MARK OF THE LABEL MANUFACTURER MUST APPEAR IN THE UPPER RIGHT HAND CORNER AS INDICATED.

MATL: NOTED	
REV: G	CHANGE ALL "NAMEPLATE" TEXT TO "LABEL"
60Z91	SCALE: - BY: BKW REVISED: 02/19/97
	FILE: CHB00002485 TDR: 0115147

BALDOR ELECTRIC Co.

LABEL, CONNECTIONS AND TERMINAL MARKINGS DC

15209