

BALDOR • RELIANCE

Customer information packet

D50250P

250HP, 1750/1900RPM, DC, 506AT, DPGF, F1, N

Specifications

Armature Voltage	500 V
Base Speed	1750 rpm
Enclosure	DPFG
Field Voltage	150 V
	300 V
Frame	506AT
Frame Material	Steel
Output Power	250.000 HP
Agency Approvals	CSA
Ambient Temperature	40 °C
Armature Current	392.0 a
Base Indicator	Rigid
Bearing Grease Type	Polyrex EM (-20F +300F)
Drip Cover	No Drip Cover
Duty Rating	CONT
Feedback Device	NO FEEDBACK
Field Winding Type	STR. SHUNT
Heater Indicator	No Heater
Insulation Class	F
Lifting Lugs	Standard Lifting Lugs
Motor Standards	NEMA
Mounting Arrangement	F1
Overall Length	55.00 IN
Service Factor	1.00
Shaft Diameter	3.249 IN
Shaft Extension Location	Pulley End
Shaft Ground Indicator	No Shaft Grounding
Shaft Slinger Indicator	No Slinger
Thermal Device - Bearing	None

Part detail

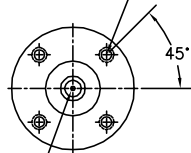
Revision	B
Type	DC
Mech. spec.	
Base	
Status	PRD/A
Elec. spec.	K0113A A
Layout	877-3
Eff. date	03-22-2022
CD Diagram	15209
Poles	00
Leads	
Proprietary	False
Created date	04-09-2015

Nameplate

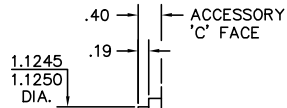
NP1734					
CAT.NO.	D50250P	MODEL	T50R8002		
HP	250	RPM	1750/1900	FRAME	0506AT
ARM V	500	ARM A	392.00	WOUND	STR. SHUNT
FLD V	150/300	FLD A	14.10-10.04/7.05-5.02		
CONN		OHMS		CL	F
ENCL	DPFG	DUTY	CONT	MX AMB	40
P CODE	D	CTSR		SER.F.	1.0
S/N		E/S	K0113A A		
	BRUSH:50034-2				
O.D.E. BRG.	6216	D.E. BRG.	6218	BRUSH	QTY

877-3

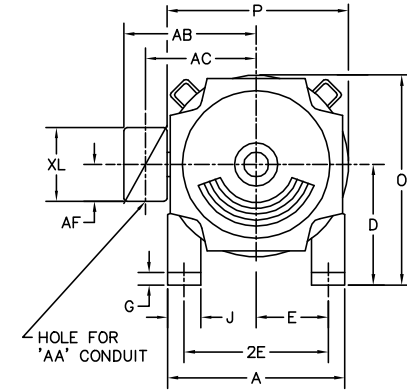
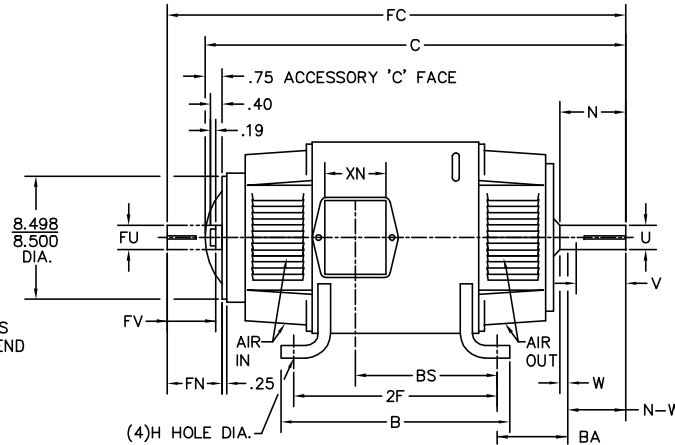
1/2-13UNC-2B THD X 1.00 DEEP
4-HOLES EQUALLY SPACED
ON A 7.250 DIA. B.C.



5/8-11 UNC-2B THD'S
1.25 DEEP IN SHAFT END
(5012, 3/4-10)



STANDARD COMM END
FOR SINGLE SHAFT EXTENSION



FRAME	FOOT MOUNTING				D.E. SHAFT EXTENSION				DRIVE KEY			ACC SHAFT EXTENSION			ACC KEY		FRAME								
	BA	E	2F	G	H	J	N	N-W	U	V	W	KEY-SQ.	KEY-LONG	FN	FU	FV	KEY-SQ.	KEY-LONG	A	B	C	FC	D	O	P
504AT	8.50	10.00	16.00	1.18	1.188	4.50	6.76	6.57	3.250	6.32 ³	.19	.750	5.25	5.95	2.875	5.70	.750	5.00	24.88	18.88	45.75	51.00	12.50 ²	24.91	24.81
506AT	8.50	10.00	20.00	1.18	1.188	4.50	6.76	6.57	3.250	6.32 ³	.19	.750	5.25	5.95	2.875	5.70	.750	5.00	24.88	22.88	49.75	55.00	12.50 ²	24.91	24.81
508AT	8.50	10.00	25.00	1.18	1.188	4.50	6.76	6.57	3.250	6.32 ³	.19	.750	5.25	5.95	2.875	5.70	.750	5.00	24.88	27.88	54.75	60.00	12.50 ²	24.91	24.81
5010AT	8.50	10.00	32.00	1.18	1.188	4.50	6.76	6.57	3.250	6.32 ³	.19	.750	5.25	5.95	2.875	5.70	.750	5.00	24.88	34.88	61.75	67.00	12.50 ²	24.91	24.81
5011AT	8.50	10.00	36.00	1.18	1.188	4.50	6.76	6.57	3.375	6.32 ³	.19	.875	5.25	5.95	2.875	5.70	.750	5.00	24.88	38.88	65.75	71.00	12.50 ²	24.91	24.81
5012AT	8.50	10.00	43.00	1.18	1.188	4.50	7.06	6.87	4.250	6.62 ³	.19	1.000	5.25	5.95	2.875	5.70	1.000	5.00	24.88	45.88	73.75	79.75	12.50 ²	24.91	24.91

FRAME	CONDUIT BOX							ARM APPROX. WK ² LBS.FT. ²	APPROXIMATE WEIGHT
	AA	AB	AC	AF	BS	XL	XN		
504AT	3	20.65	16.81	2.62	13.25	11.63	7.76	79.10	1910 ⁵
506AT	3	20.65	16.81	2.62	17.25	11.63	7.76	98.76	2290 ⁵
508AT	3	20.65	16.81	2.62	22.25	11.63	7.76	121.87	2820 ⁵
5010AT	4 ⁴	21.20	16.81	2.84	30.12	13.40	13.50	156	3450 ⁵
5011AT	4 ⁴	21.20	16.81	2.84	34.12	13.40	13.50	161	3810 ⁵
5012AT	4 ⁴	21.20	17.19	2.84	41.12	13.40	13.50	170	4887 ⁵

- 1) SHAFT DIAMETERS TO 1.500 TOLERANCE +.0000 -.0005
SHAFT DIAMETERS ABOVE 1.500 TOLERANCE +.0000 -.0010
SHAFT DIAMETERS TO 1.625 RUNOUT .002 T.I.R. MAX.
SHAFT DIAMETERS ABOVE 1.625 RUNOUT .003 T.I.R. MAX.
- 2) 'D' DIMENSION TOLERANCE +.000 - .060.
- 3) 'V' DIMENSION IS MAX. HUB LENGTH ON SHAFT
- 4) THERE ARE TWO HOLES FOR 4" CONDUIT, SECOND HOLE IS 6" TOWARD DRIVE END.
- 5) TOTAL WEIGHT OF MOTOR.
- 6) ALL DIMENSIONS NOT NOTED ARE NOMINAL DIMENSIONS CONSULT FACTORY FOR TOLERANCES.

FOR F1 OR F2 CONDUIT BOX
LOCATION SEE SALES ORDER

CUSTOMER IS RESPONSIBLE FOR DETERMINING THAT MOTOR PERFORMANCE IS SUITABLE IN THE APPLICATION.

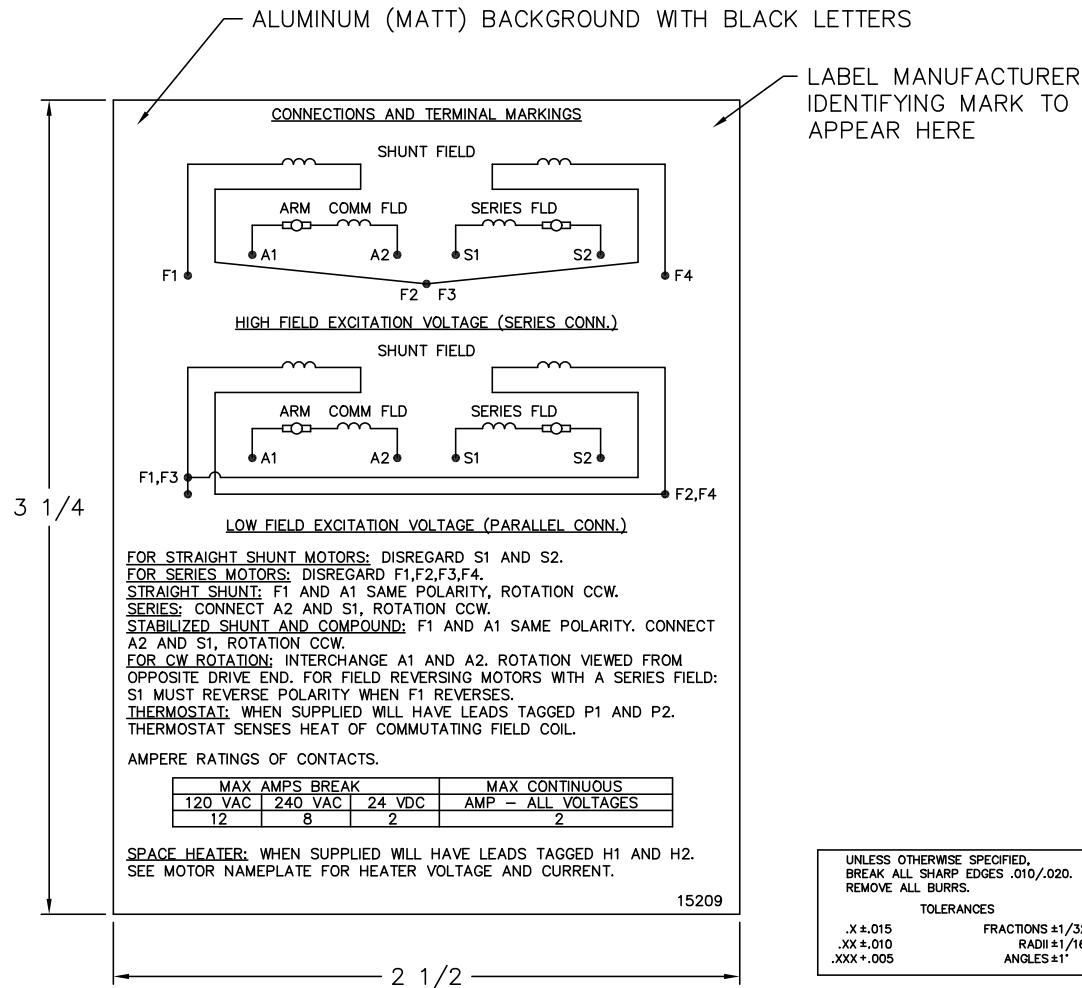
REV. DESC: CHG (5011)U DIM TO 3.375, KEY-SQ TO .875			
REV. LTR: D	BY: MBT	REVISED: 07:59:01 04/22/2003	TDR: 299170
Σ-LL8		FILE: CHB00001040	REF: 877-3
		MTL: -	

BALDOR ELECTRIC Co.

DIM SHEET: 504-5012AT,DPFG

877-3

15209



NOTE:
 MATERIAL .005 MINIMUM FULL HARD ALUMINUM DULL FINISH.
 TEMP. RANGE -20°C TO +125°C MAXIMUM.
 FOR INDOOR AND OUTDOOR MOUNTING BACK.
 METAL, PRESSURE SENSITIVE BACK. MUST MEET CSA STANDARD.
 THE CSA IDENTIFYING MARK OF THE LABEL MANUFACTURER MUST APPEAR IN THE UPPER RIGHT HAND CORNER AS INDICATED.

MATL: NOTED			
REV:	G	CHANGE ALL "NAMEPLATE" TEXT TO "LABEL"	
60Z91		SCALE: -	BY: BKW
		FILE: CHB00002485	REVISED: 02/19/97
		TDR: 0115147	

BALDOR ELECTRIC Co.

LABEL, CONNECTIONS AND TERMINAL MARKINGS DC

15209