

BALDOR • RELIANCE

Customer information packet

D50200RS-BV

200HP, 1750RPM, DC, 3612ATZ, DPG-FV,

Specifications

Enclosure	DP
Frame	LC3612ATZ
Frame Material	Exposed Laminations
Output Power	200.000 HP
Agency Approvals	CCSA US
Ambient Temperature	40 °C
Bearing Grease Type	Polyrex EM (-20F +300F)
Drip Cover	No Drip Cover
Feedback Device	NO FEEDBACK
Field Winding Type	STAB SHUNT
Frame Prefix	LC
Heater Indicator	No Heater
Lifting Lugs	Standard Lifting Lugs
Motor Standards	NEMA
Mounting Arrangement	F2
Overall Length	46.62 IN
Shaft Extension Location	Pulley End
Shaft Ground Indicator	No Shaft Grounding
Shaft Slinger Indicator	No Slinger

Part detail

Revision	-
Type	DC
Mech. spec.	
Base	
Status	PRD/A
Elec. spec.	G7619A A
Layout	609972-049
Eff. date	04-13-2015
CD Diagram	406770-001
Poles	00
Leads	
Proprietary	False
Created date	04-09-2015

Nameplate

000613006LP

CAT.NO.	D50200RS-BV	SPEC NO.	T36S1314		
FR	LC 3612ATZ	HP	200	DUTY	CONT
ENCL.	DP	RPM	1750/ 2000	S.F.	1.0
ENCL MOD	FORCE VENT	VOLTS	500	INSUL	F
MAX SAFE SPEED	3400	AMPS	321.00	AMB.	40
	FIELD DATA	SER.NO.			
WINDING	STAB SHUNT	POWER CODE	C		
VOLTS	300	D.E. BRG.	95BC02J30X		
MAX AMPS @ 25 C	5.41	O.D.E. BRG.	80BC02J30X		
HOT AMPS	3.91/ 3.29	MIN. AMB.	0	TYPE	TR
	BRUSH:419904052AB; AIR BAFFLED				

609972-049

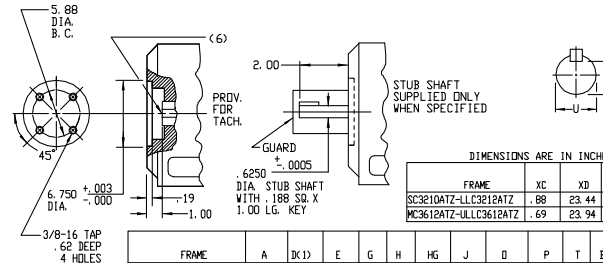
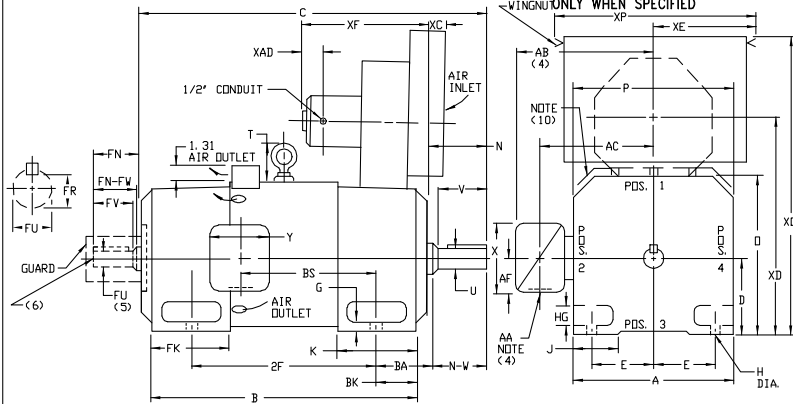
INDUSTRIAL DIRECT CURRENT MOTORS AND GENERATORS - RPM III

ENCLOSURE: DRIP-PROOF FULLY-GUARDED,
SPLASHPROOF
MOUNTING: FOOT

COOLING: FORCE VENTILATED WITH
INTEGRAL BLOWER AND
MOTOR AIR FILTERED-
SPECIAL BAFFLE

ACCESSORIES: PROVISION FOR
TACHOMETER MOUNTING
VINGNU ONLY WHEN SPECIFIED

FRAMES SC3210ATZ THRU ULLC3612ATZ



DIMENSIONS ARE IN INCHES

FRAME	XC	XD	XE	XF	XD	XP	XAD
SC3210ATZ-LLC3212ATZ	.88	23.44	11.25	17.69	38.63	22.50	3.06
MC3612ATZ-ULLC3612ATZ	.69	23.94	9.83	18.81	38.25	22.50	(11)

FRAME	A	DC1	E	G	H	HG	J	D	P	T	BA	K	FK		BK
													STD.	LG(B)	
SC3210ATZ-LLC3212ATZ	15.50	8.00	6.25	.75	69	2.25	3.00	15.81	15.62	4.25	5.25	6.75	7.94	10.44	4.00
MC3612ATZ-ULLC3612ATZ	17.50	9.00	7.00	.88	81	2.62	3.50	17.81	17.62	4.25	5.88	7.25	8.56	10.31	4.62

FRAME	METHOD OF DRIVE	C(7)		B		DRIVE END SHAFT AND KEY										OPPOSITE DRIVE END SHAFT AND KEY (5)				WT. LBS.		
		STD.	LG(B)	STD.	LG(B)	BS	2F	N	N-W	UK(2)	V	R(3)	SD	LGTH	FN	FN-FV	FK(2)	FV	FK(3)		SD	LGTH
SC3210ATZ-LSC3210ATZ	(9)	36.25	38.75	28.31	30.81	13.38	20.00	5.50	5.25	2.625	5.00	2.275	6.25	4.00	4.75	4.50	2.250	4.25	1.972	500	3.25	1115
MC3212ATZ-LMC3212ATZ	(9)	39.25	41.75	31.31	33.81	16.38	25.00	5.50	5.25	2.625	5.00	2.275	6.25	4.00	4.75	4.50	2.250	4.25	1.972	500	3.25	1210
LC3212ATZ-LLC3212ATZ	(9)	41.25	43.75	33.31	35.81	18.38	25.00	5.50	5.25	2.625	5.00	2.275	6.25	4.00	4.75	4.50	2.250	4.25	1.972	500	3.25	1290
UMC3212ATZ-ULMC3212ATZ	BELTED	39.75	42.25	31.31	33.81	16.38	25.00	6.00	5.75	2.875	5.50	2.450	7.50	4.25	4.75	4.50	2.250	4.25	1.972	500	3.25	1180
MC3612ATZ-LMC3612ATZ	COUPLED	42.88	44.62	34.44	36.19	18.12	28.00	6.00	5.75	2.875	5.50	2.450	7.50	4.25	6.00	5.75	2.875	5.50	2.450	750	4.25	1685
UMC3612ATZ-ULMC3612ATZ	BELTED	43.62	45.38	34.44	36.19	18.12	28.00	6.75	6.50	3.250	6.25	2.831	7.50	4.25	6.00	5.75	2.875	5.50	2.450	750	4.25	1695
LC3612ATZ-LLC3612ATZ	COUPLED	46.62	48.38	38.19	39.94	21.88	28.00	6.00	5.75	2.875	5.50	2.450	7.50	4.25	6.00	5.75	2.875	5.50	2.450	750	4.25	1850
ULC3612ATZ-ULLC3612ATZ	BELTED	47.38	49.12	38.19	39.94	21.88	28.00	6.75	6.50	3.250	6.25	2.831	7.50	4.25	6.00	5.75	2.875	5.50	2.450	750	4.25	1860

- (1) "B" DIMENSION WILL NOT BE EXCEEDED. SHIMS UP .06 INCHES IN THICKNESS ARE USUALLY REQUIRED FOR COUPLED OR GEARED MACHINES.
- (2) "V" AND "FV" VARY FROM .000 - .001
- (3) "R" AND "FR" VARY FROM .000 - .015
- (4) TERMINAL BOX VARIES WITH H.P. FOR DIMENSIONS "AA", "AB", "AC", "AF", "X" AND "Y". REFER TO BOX D/S. (STD. 609979-1, *M/F 609979-2, M/L 609979-3)
- (5) OPPOSITE DRIVE END SHAFT SUPPLIED ONLY WHEN SPECIFIED.
- (6) MOTOR SHAFT TAPPED FOR SCREW IN STUB SHAFT.
- (7) WHEN THE MOTOR APPLICATION DOES NOT REQUIRE THE USE OF DRP, DRIVE END, ADD .25 TO "C" DIM. FOR BRACKET COVER.
- (8) DIMENSION FOR FRAMES WITH PREFIX LSC, LMC, LLC, ULMC, OR ULLC. METHOD OF DRIVE: COUPLED OR BELTED.
- (9) "XD" DIMENSION IS NOT APPLICABLE TO C360 FRAMES. (BLDWER MOTOR HAS CONDUIT BOX.)
- (10) FOR HORIZONTAL APPLICATIONS ONLY. TERMINAL BOX CAN BE ROTATED FOR LEAD OUTLET AT TOP, SIDES OR BOTTOM. TERMINAL BOX LOCATED ON OPPOSITE SIDE WHEN F-2, W-1, V-4, W-5, W-7, OR C-1 MOUNTING IS SPECIFIED. BOX LOCATED ON TOP WHEN SPECIFIED. BLOWER ASSEMBLY CAN BE LOCATED AT POSITIONS 1, 2, OR 4. MOTOR WEIGHT MAY VARY 15% FOR NON-STANDARD RATINGS AND/OR ACCESSORIES. IF MOUNTING CLEARANCE DETAILS ARE REQUIRED, CONSULT FACTORY.

609972-049

CUSTOMER IS RESPONSIBLE FOR DETERMINING THAT BALDOR'S PRODUCT WILL PERFORM SUITABLY IN THE INTENDED APPLICATION.

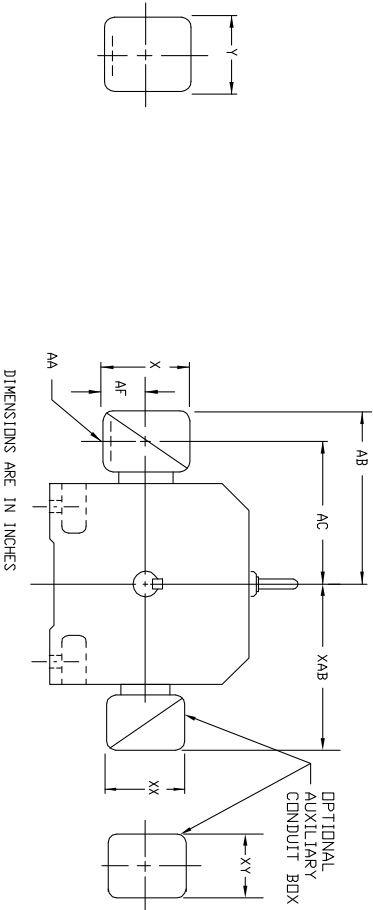
REV. DESC: LOADED TO BUS	VERSION: 00	TDR: 000000577407
REV. LTR: -	REVISED: 01:15:54 01/26/2011	BY: CONNAS
FILE: \RGG\00015\628		
MTL: -		



DIMENSION DRAWING, SC3210ATZ - ULLC3612ATZ, DPP, FOOT MTG.
SH 1 of 1

INDUSTRIAL DIRECT CURRENT MOTORS AND GENERATORS - RPM III

STEEL AND CAST IRON TERMINAL BOX DIMENSIONS
STANDARD SIZE AND ONE SIZE LARGER
FRAMES C3210ATZ THRU C3613ATZ



FRAME SIZE	MAX AMPS	STANDARD SIZE						STEEL TERMINAL BOX DIMENSIONS						ONE SIZE LARGER						PART NUMBER		
		AA(2)	AB	AC	AF	X	Y	AA(1)	AB	AC	AF	X	Y	AA(2)	AB	AC	AF	X	Y			
C3210ATZ	185	2	14.88	11.38	4.25	8.44	7.25	74874-R	3	15.31	12.06	4.25	8.44	7.25	74874-24-R	3	15.31	12.06	4.25	8.44	7.25	74874-24-R
C3212ATZ	269	3	15.31	12.06	4.25	8.44	7.25	74874-24-R	4	16.75	12.69	5.38	10.56	9.00	700308-3-R	4	17.75	13.69	5.38	10.56	9.00	700308-3-R
C3214ATZ	500	4	16.75	12.69	5.38	10.56	9.00	700308-3-R	5	21.00	15.88	6.50	12.10	14.62	702658-1-C	5	22.00	15.88	6.50	12.10	14.62	702658-1-C
C3612ATZ	185	3	16.31	13.06	4.25	8.44	7.25	74874-R	3	16.31	13.06	4.25	8.44	7.25	74874-24-R	3	16.31	13.06	4.25	8.44	7.25	74874-24-R
C3613ATZ	269	4	17.75	13.69	5.38	10.56	9.00	700308-3-R	4	17.75	13.69	5.38	10.56	9.00	700308-3-R	4	17.75	13.69	5.38	10.56	9.00	700308-3-R
C3613ATZ	500	5	22.00	15.88	6.50	12.10	14.62	702658-1-C	5	22.00	15.88	6.50	12.10	14.62	702658-1-C	5	22.00	15.88	6.50	12.10	14.62	702658-1-C

FRAME SIZE	MAX AMPS	STANDARD SIZE						CAST IRON TERMINAL BOX DIMENSIONS						ONE SIZE LARGER						PART NUMBER		
		AA(2)	AB	AC	AF	X	Y	AA(2)	AB	AC	AF	X	Y	AA(2)	AB	AC	AF	X	Y			
C3210ATZ	185	3	15.31	11.19	3.00	6.00	7.00	75460-R	3	15.31	11.19	3.00	6.00	7.00	75460-R	3	15.31	11.19	3.00	6.00	7.00	75460-R
C3212ATZ	269	4	16.62	12.44	4.12	9.50	10.50	76708-RR	4	16.62	12.44	4.12	9.50	10.50	76708-RR	4	16.62	12.44	4.12	9.50	10.50	76708-RR
C3214ATZ	500	5	19.44	14.19	7.00	12.75	15.00	76870-S	5	19.44	14.19	7.00	12.75	15.00	76870-S	5	19.44	14.19	7.00	12.75	15.00	76870-S
C3612ATZ	185	3	16.31	12.56	3.62	7.88	9.25	75460-R	3	16.31	12.56	3.62	7.88	9.25	75460-R	3	16.31	12.56	3.62	7.88	9.25	75460-R
C3613ATZ	269	4	17.62	13.44	4.12	9.50	10.50	76708-RR	4	17.62	13.44	4.12	9.50	10.50	76708-RR	4	17.62	13.44	4.12	9.50	10.50	76708-RR
C3613ATZ	500	5	20.44	15.19	7.00	12.75	15.00	76870-S	5	20.44	15.19	7.00	12.75	15.00	76870-S	5	20.44	15.19	7.00	12.75	15.00	76870-S

FRAME SIZE	AMPS	STANDARD SIZE						OPTIONAL AUXILIARY CONDUIT BOX DIMENSIONS (MAXIMUM)						PART NUMBER
		AB	AC	AF	X	AA (3)	Y	XAB	XX	XY	XX	XY		
C320	400	19.02	15.28	6.20	14.39	---	14.39	706310-63-B						
	800	19.02	15.28	6.20	14.39	---	14.39	706310-63-B						
	1600	19.02	15.28	7.68	15.35	---	15.35	706310-63-C						
C360	400	20.00	15.28	6.20	14.39	---	14.39	706310-63-B						
	800	20.00	15.28	6.20	14.39	---	14.39	706310-63-B						
	1600	20.00	15.28	7.68	15.35	---	15.35	706310-63-C						

FRAME SIZE	XAB	XX	XY	XY	XY	XY	XY	XY	XY	XY	XY	XY	XY	XY
C320	10.00	4.25	4.25	602007-26-A	C320	13.50	8.00	8.00	8.00	8.00	8.00	8.00	8.00	8.00
C360	11.00	4.25	4.25	602007-26-A	C360	14.50	8.00	8.00	8.00	8.00	8.00	8.00	8.00	8.00

- (1) *AA* CONDUIT.
- (2) *AA* PIPE TAP.
- (3) CUSTOMER TO PROVIDE HOLE FOR CONDUIT.
- TERMINAL BOX LOCATED ON OPPOSITE SIDE WHEN F-2, V-1, V-4, W-5, W-7.
- TERMINAL BOX LOCATED ON OPPOSITE SIDE WHEN F-2, V-1, V-4, W-5, W-7.
- FOR *X/P* TERMINAL BOX DIMENSIONS SEE 609979-2.
- FOR MILL TYPE TERMINAL BOX DIMENSIONS SEE 609979-3.

100-626609

CUSTOMER IS RESPONSIBLE FOR DETERMINING THAT BALDOR'S PRODUCT WILL PERFORM SUITABLY IN THE INTENDED APPLICATION.

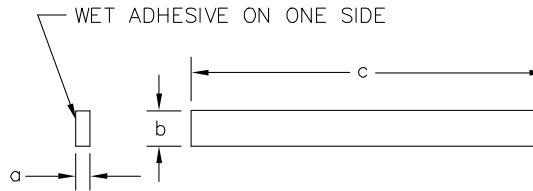
REV. DESC: LOAD TO BUS	VERSION: 00	TDR: 000000958110
REV. LTR: -	REVISED: 08: 37: 45 12/17/2015	BY: RCGWT
FILE: \RGG\00026\318		
MTL: -		



DIM SHT,C3210ATZ THRU C3613ATZ,W/AUX C/BOX

SH 1 of 1

065564-004



SYM	MAKE FROM 065564-004	a	b	c	REMARKS
A	X	1/8	5/8	24*	TERMBOX & CVR 180AT-250AT
B	X	1/8	5/8	37 1/2*	TERMBOX & CVR 280AT-320AT
C	Y	1/4	5/8	44 1/2 Δ	FILTER TO HOUSING GASKET
D	X	1/8	5/8	170"	TEAO HEAT EXCH.
E	Y	1/4	5/8	72" Δ	TERMBOX & CVR

SYM	MAT'L SPEC	a	b	c
X	46024-XV	1/8	5/8	* 50' ROLL; WET ADHESIVE ON ONE SIDE
Y	46024-XV	1/4	5/8	* 50' ROLL; WET ADHESIVE ON ONE SIDE

Δ RELIANCE WILL CUT AND MOUNT ON FILTER HOUSING PER ASSEMBLY DRAWING 603989-2.

* PROD. NOTE: WHEN ORDERING THRU PURCHASING ORDER AS 50 FT. ROLLS, WET ADHESIVE ON ONE SIDE. RELIANCE WILL CUT AND MOUNT ON COVER. PER INSTRUCTIONS ON COVER DRAWINGS.

065564-004

CUSTOMER IS RESPONSIBLE FOR DETERMINING THAT BALDOR'S PRODUCT WILL PERFORM SUITABLY IN THE INTENDED APPLICATION.

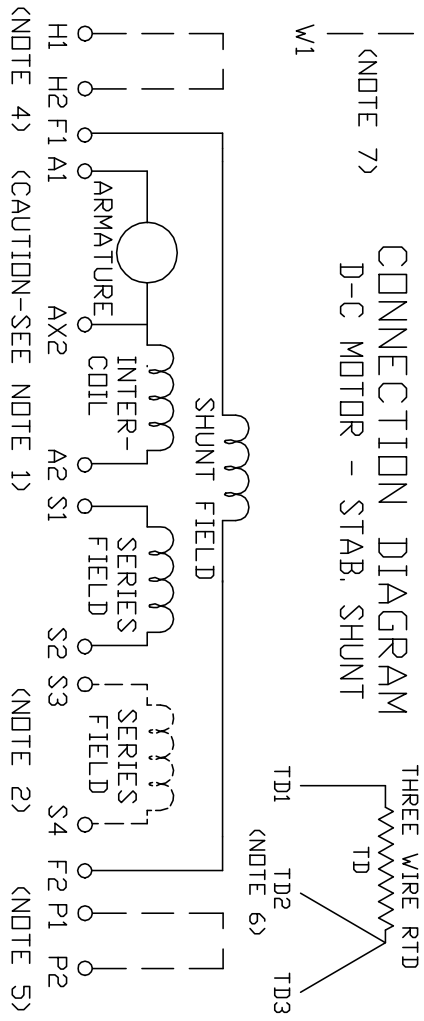
REV. DESC: CHANGE DESCRIPTION ON TITLE BLOCK		
REV. LTR: C	VERSION: 03	TDR: 00000571980
FILE: \RGG\00000\220	REVISED: 10:54:04 12/16/2010	BY: RGGWT
MTL: -		

BALDOR
GASKET,STRIP,CLOSED CELL NEOPRENE
SH 1 of 1

406770-001

406770-001

CONNECTION DIAGRAM
D-C MOTOR - STAB. SHUNT



ARMATURE AND FIELD EXTERNAL CONNECTIONS
WARNING- SEE NOTE 8 FOR GROUNDING INSTRUCTIONS



ROTATION FACING COMMUTATOR END

1. CAUTION — ARMATURE AND SERIES FIELD MAY HAVE MULTIPLE LEADS. CONNECT ALL LUGS WITH THE SAME MARKING TOGETHER.
2. OPTIONAL SERIES FIELD IS MARKED S3 AND S4. FOR CUMULATIVE SERIES FIELD, CONNECT S3 TO S2 AND CONNECT S4 TO NEGATIVE. FOR DIFFERENTIAL SERIES FIELD CONNECT S4 TO S2 AND S3 TO NEGATIVE.
3. OPTIONAL CONTROL SIGNAL LEAD IS MARKED AX2. ALWAYS TAKE INTERPOLE DROP BETWEEN A2 AND AX2. NOTE: NEMA DESIGNATION FOR AX2 IS LETTER C.
4. SPACE HEATERS, WHEN PROVIDED, WILL HAVE LEADS MARKED H1 AND H2, H3, H4, ETC.
5. THERMAL PROTECTOR, WHEN PROVIDED, WILL HAVE LEADS MARKED P1 AND P2, P3, P4, ETC.
6. WINDING RTD'S, WHEN PROVIDED, WILL HAVE LEADS MARKED TD1, TD2, & TD3
7. BRUSH WEAR SENSOR, WHEN PROVIDED, WILL HAVE LEAD MARKED W1.
8. WARNING — MOTOR MUST BE GROUNDED TO PREVENT SERIOUS INJURIES TO PERSONNEL. GROUND THE MOTOR PER IEC, NATIONAL ELECTRICAL CODE AND ANY APPLICABLE LOCAL ELECTRICAL CODES. A TAPPED HOLE IS PROVIDED IN THE CONDUIT BOX, ON THE FOOT, FRAME BRACE OR OPPOSITE DRIVE END BRACKET, ADJACENT TO THE TERMINAL BOX FOR MOTOR GROUNDING. GROUND LEAD, WHEN PROVIDED, WILL BE GREEN.

CUSTOMER _____ ORDER NO. _____ S.D. NO. _____

REV. DESC: DELETED DUPLICATE WORDS FROM NOTE 8

REV. LTR: A

VERSION: 01

TDR: 00000970330

FILE: \RSN\00026\422

REVISED: 10:19:12 03/11/2016

BY: RAGTBM

MTL: -

BALDOR

D-C MOTOR CONNECTION DIAGRAM STAB. SHUNT

SH 1 of 1