

**BALDOR® • RELIANCE™**

---

# Customer information packet

## D50200P2-BV

0409AT, 200, 1750RPM, 500, 150, ,

**Specifications**

<b>Enclosure</b>	DPBV
<b>Frame</b>	409AT
<b>Frame Material</b>	Steel
<b>Output Power</b>	200.000 HP
<b>Agency Approvals</b>	CSA
<b>Ambient Temperature</b>	40 °C
<b>Bearing Grease Type</b>	Polyrex EM (-20F +300F)
<b>Drip Cover</b>	No Drip Cover
<b>Feedback Device</b>	NO FEEDBACK
<b>Field Winding Type</b>	STR. SHUNT
<b>Heater Indicator</b>	No Heater
<b>Lifting Lugs</b>	Standard Lifting Lugs
<b>Motor Standards</b>	NEMA
<b>Mounting Arrangement</b>	F1
<b>Overall Length</b>	43.88 IN
<b>Shaft Extension Location</b>	Pulley End
<b>Shaft Ground Indicator</b>	No Shaft Grounding
<b>Shaft Slinger Indicator</b>	No Slinger

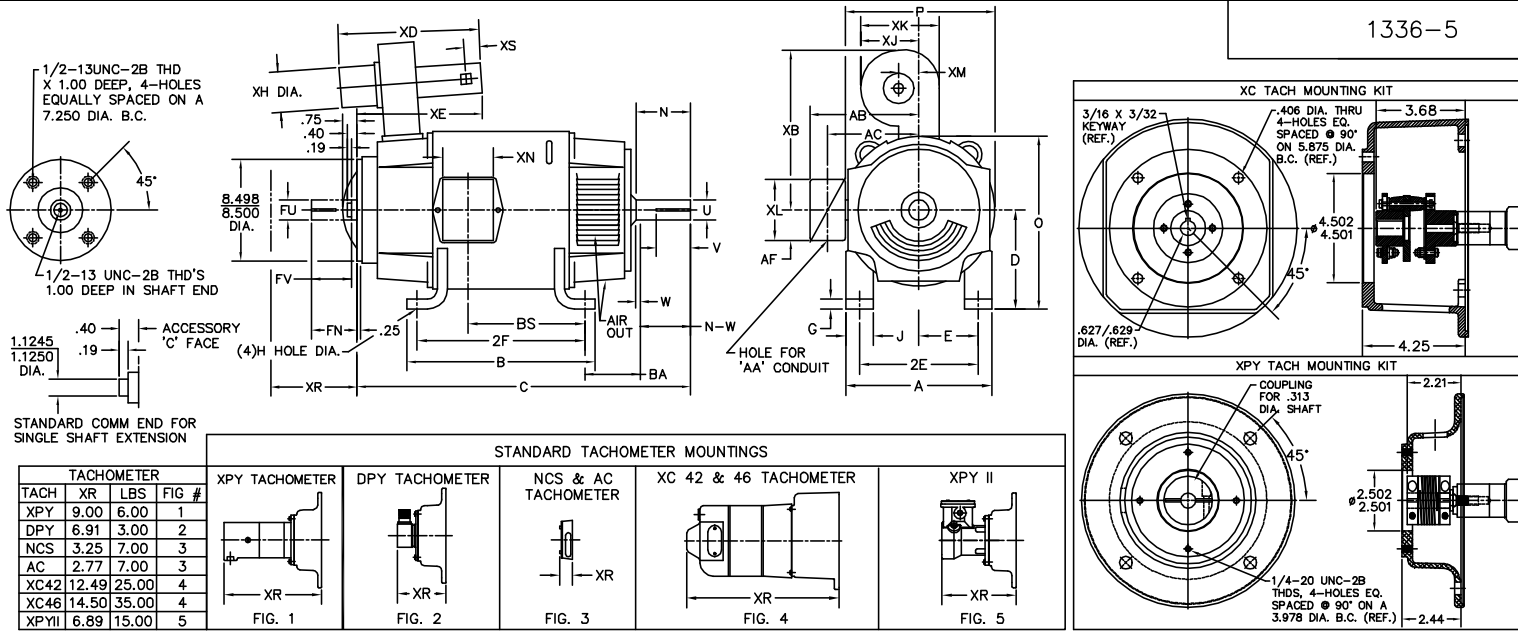
**Part detail**

<b>Revision</b>	B
<b>Type</b>	DC
<b>Mech. spec.</b>	
<b>Base</b>	
<b>Status</b>	PRD/A
<b>Elec. spec.</b>	K0109A A
<b>Layout</b>	1336-5
<b>Eff. date</b>	03-06-2019
<b>CD Diagram</b>	15209
<b>Poles</b>	00
<b>Leads</b>	
<b>Proprietary</b>	False
<b>Created date</b>	04-09-2015

**Nameplate**

<b>NP1734</b>					
<b>CAT.NO.</b>	D50200P2-BV	<b>MODEL</b>	T40R8004		
<b>HP</b>	200	<b>RPM</b>	1750/1900	<b>FRAME</b>	0409AT
<b>ARM V</b>	500	<b>ARM A</b>	311.00	<b>WOUND</b>	STR. SHUNT
<b>FLD V</b>	150/300	<b>FLD A</b>	11.14-7.50/5.57-3.75		
<b>CONN</b>		<b>OHMS</b>		<b>CL</b>	F
<b>ENCL</b>	DPBV	<b>DUTY</b>	CONT	<b>MX AMB</b>	40
<b>P CODE</b>	C	<b>CTSR</b>		<b>SER.F.</b>	1.0
<b>S/N</b>		<b>E/S</b>	K0109A A		
	BRUSH:40019-3				
<b>O.D.E. BRG.</b>	6213	<b>D.E. BRG.</b>	6214	<b>BRUSH</b>	<b>QTY</b>

1336-5



STANDARD COMM END FOR SINGLE SHAFT EXTENSION

STANDARD TACHOMETER MOUNTINGS

TACHOMETER				XPY TACHOMETER	DPY TACHOMETER	NCS & AC TACHOMETER	XC 42 & 46 TACHOMETER	XPY II
TACH	XR	LBS	FIG #					
XPY	9.00	6.00	1					
DPY	6.91	3.00	2					
NCS	3.25	7.00	3					
AC	2.77	7.00	3					
XC42	12.49	25.00	4					
XC46	14.50	35.00	4					
XPYII	6.89	15.00	5					

FRAME	FOOT MOUNTING						D.E. SHAFT EXTENSION						DRIVE KEY		ACC SHAFT EXTENSION			ACC KEY		FRAME					
	BA	E	2F	G	H	J	N	N-W	U	V	W	KEY-SQ.	KEY-LONG	FN	FU	FV	KEY-SQ.	KEY-LONG	A	B	C	D	O	P	
407AT	6.63	8.00	18.00	.81	.938	4.00	5.44	5.25	2.625	5.00 <sup>3</sup>	.19	.625	4.00	4.95	2.375	4.70	.625	3.50	20.00	20.00	39.38	10.00 <sup>2</sup>	20.19	20.38	
L407AT	6.63	8.00	18.00	.81	.938	4.00	5.44	5.25	2.625	5.00 <sup>3</sup>	.19	.625	4.00	4.95	2.375	4.70	.625	3.50	20.00	20.00	40.50	10.00 <sup>2</sup>	20.19	20.38	
409AT	6.63	8.00	22.00	.81	.938	4.00	5.44	5.25	2.625	5.00 <sup>3</sup>	.19	.625	4.00	4.95	2.375	4.70	.625	3.50	20.00	24.00	43.88	10.00 <sup>2</sup>	20.19	20.38	
L409AT	6.63	8.00	22.00	.81	.938	4.00	5.44	5.25	2.625	5.00 <sup>3</sup>	.19	.625	4.00	4.95	2.375	4.70	.625	3.50	20.00	24.00	45.00	10.00 <sup>2</sup>	20.19	20.38	
L4011AT	6.63	8.00	28.00	.81	.938	4.00	5.44	5.25	2.625	5.00 <sup>3</sup>	.19	.625	4.00	4.95	2.375	4.70	.625	3.50	20.00	30.00	52.75	10.00 <sup>2</sup>	20.19	20.38	

FRAME	CONDUIT BOX						BLOWER										ARM APPROX. WK <sup>2</sup> LBS.FT. <sup>2</sup>	APPROXIMATE WEIGHT
	AA	AB	AC	AF	BS	XL	SIZE	XB	XD	XE	XH	XM	XJ	XK	XS			
407AT	3	18.28	14.45	3.34	14.50	11.63	7.76	LM6	19.63	26.38	19.05	10.25	5.69	10.95	11.50	3.75	35.47	1355 <sup>5</sup>
L407AT	3	18.28	14.45	3.34	15.62	11.63	7.76	LM6	19.63	26.38	19.05	10.25	5.69	10.95	11.50	3.75	35.47	1405 <sup>5</sup>
409AT	3	18.28	14.45	3.34	19.00	11.63	7.76	LM6	19.63	26.38	19.05	10.25	5.69	10.95	11.50	3.75	43.81	1651 <sup>5</sup>
L409AT	3	18.28	14.45	3.34	20.12	11.63	7.76	LM6	19.63	26.38	19.05	10.25	5.69	10.95	11.50	3.75	43.81	1701 <sup>5</sup>
L4011AT	4	19.28	14.63	3.50	27.70	13.40	13.50	LM9	26.02	28.31	21.20	10.75	12.49	20.93	15.25	3.75	55.64	2483 <sup>5</sup>

- 1) SHAFT DIAMETERS TO 1.500 TOLERANCE +.0000 - .0005  
SHAFT DIAMETERS ABOVE 1.500 TOLERANCE +.0000 - .0010  
SHAFT DIAMETERS TO 1.625 RUNOUT .002 T.I.R. MAX.  
SHAFT DIAMETERS ABOVE 1.625 RUNOUT .003 T.I.R. MAX.
- 2) 'D' DIMENSION TOLERANCE +.000 - .060
- 3) 'V' DIMENSION IS MAX. HUB LENGTH ON SHAFT
- 4) CONDUIT BOX CAN BE ROTATED IN 90° STEPS ON ITS OWN AXIS.
- 5) TOTAL WEIGHT OF MOTOR AND BLOWER LESS TACH WEIGHT.
- 6) ALL DIMENSIONS NOT NOTED ARE NOMINAL DIMENSIONS CONSULT FACTORY FOR TOLERANCES.

FOR F1 OR F2 CONDUIT BOX LOCATION SEE SALES ORDER

CUSTOMER IS RESPONSIBLE FOR DETERMINING THAT BALDOR'S PRODUCT WILL PERFORM SUITABLY IN THE INTENDED APPLICATION.

REV. DESC: PROVIDE "D" DIM TOL. TO ONLY THOSE OF DIM. 10.00"

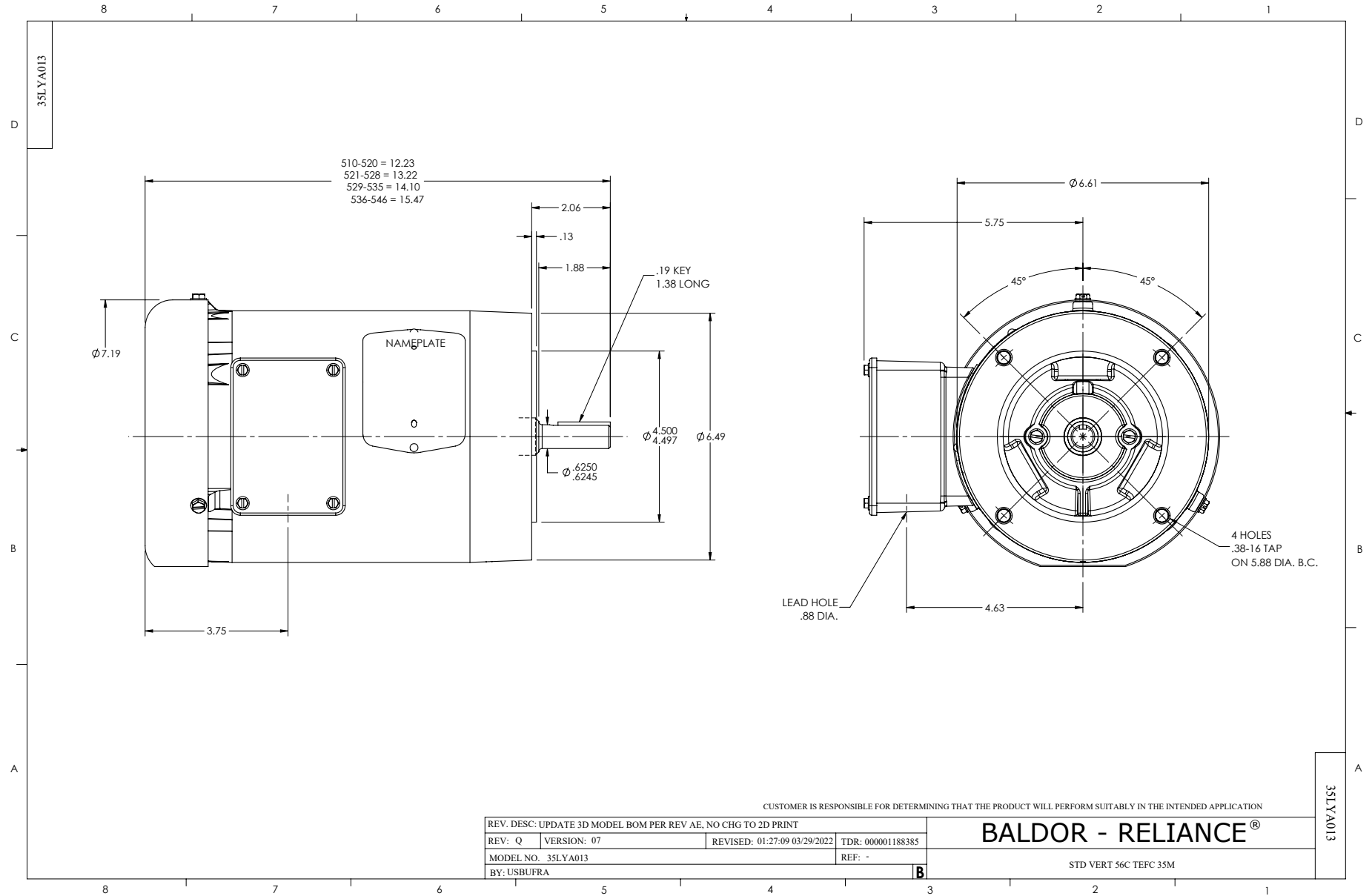
REV. LTR: G	VERSION: 01	TDR: 000000750921
FILE: \RGG\00019\442	REVISED: 09:38:49 06/11/2012	
MTL: -	BY: RGGNAS	

**BALDOR**

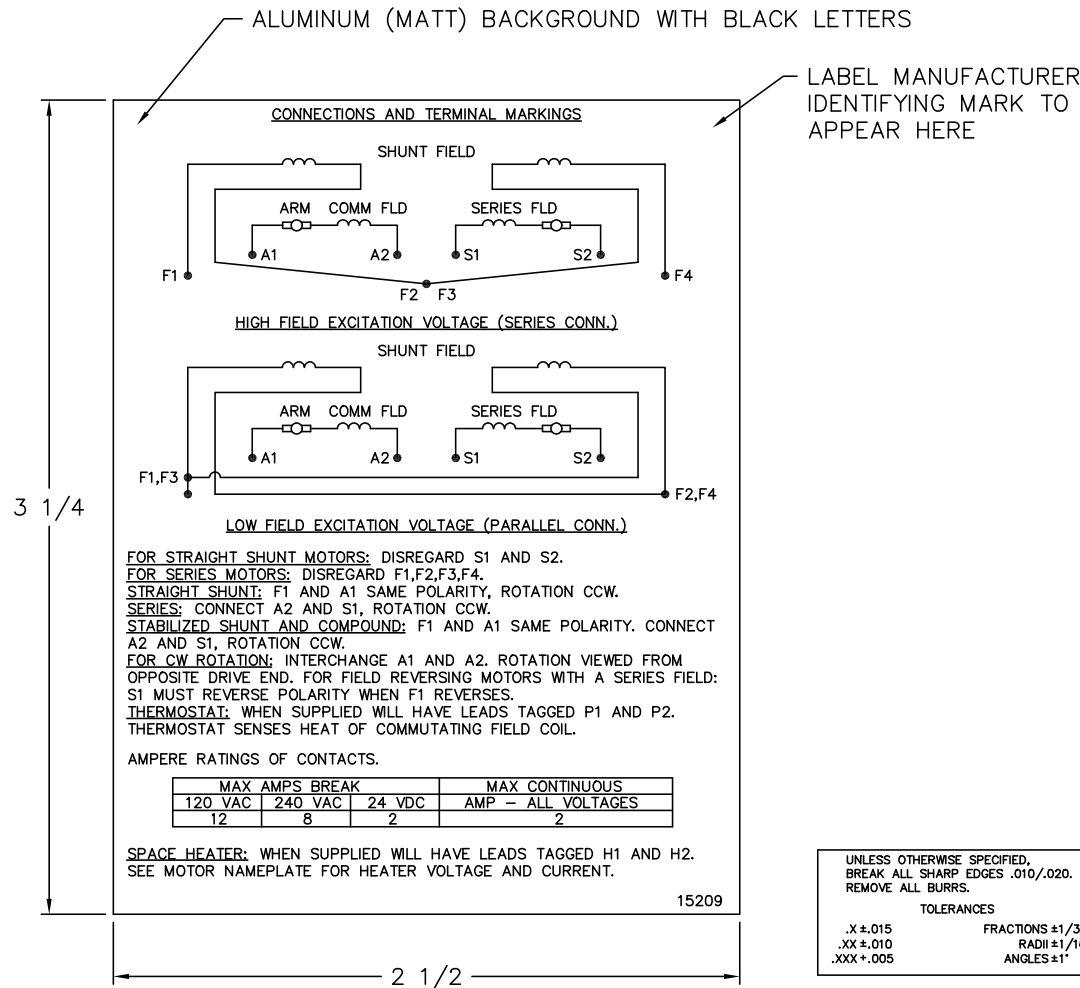
DIM SHEET: 407-L4011AT,DPBV,W/TACH

SH 1 of 1

1336-5



15209



**NOTE:**  
 MATERIAL .005 MINIMUM FULL HARD ALUMINUM DULL FINISH.  
 TEMP. RANGE -20°C TO +125°C MAXIMUM.  
 FOR INDOOR AND OUTDOOR MOUNTING BACK.  
 METAL, PRESSURE SENSITIVE BACK. MUST MEET CSA STANDARD.  
 THE CSA IDENTIFYING MARK OF THE LABEL MANUFACTURER MUST APPEAR IN THE UPPER RIGHT HAND CORNER AS INDICATED.

MATL: NOTED	
REV: G	CHANGE ALL "NAMEPLATE" TEXT TO "LABEL"
60Z91	SCALE: - BY: BKW REVISED: 02/19/97
	FILE: CHB00002485 TDR: 0115147

**BALDOR ELECTRIC Co.**

LABEL, CONNECTIONS AND TERMINAL MARKINGS DC

15209