

ABB BALDOR RELIANCE III

Customer information packet

D50150URE-BV

150HP, 1750RPM, DC, 2815ATZ, DPG-FV,

Copyright © All product information within this document is subject to ABB Motors and Mechanical Inc. copyright © protection, unless otherwise noted.

7/8/2026 12:56:34 PM

Specifications

Armature Voltage	500 V
Base Speed	1750 rpm
Enclosure	DP
Field Voltage	300 V
Frame	UC2815ATZ
Frame Material	Exposed Laminations
Output Power	150.000 HP
Agency Approvals	CCSA US
Ambient Temperature	40 °C
Armature Current	250.0 a
Bearing Grease Type	Polyrex EM (-20F +300F)
Drip Cover	No Drip Cover
Duty Rating	CONT
Feedback Device	NO FEEDBACK
Field Winding Type	STR. SHUNT
Frame Prefix	UC
Heater Indicator	No Heater
Lifting Lugs	Standard Lifting Lugs
Motor Standards	NEMA
Mounting Arrangement	F2
Overall Length	47.25 IN
Service Factor	1.00
Shaft Extension Location	Pulley End
Shaft Ground Indicator	No Shaft Grounding
Shaft Slinger Indicator	No Slinger

Part Detail

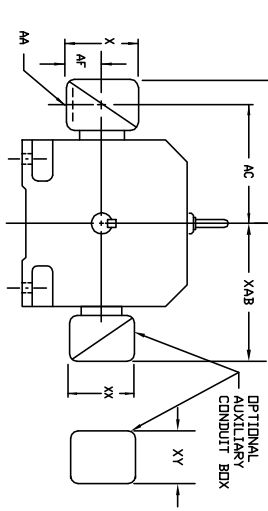
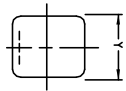
Revision	-
Type	DC
Mech. spec.	
Base	
Status	PRD/A
Elec. spec.	G9776A A
Layout	616022-001
Eff. date	04-13-2015
CD Diagram	406770-006
Poles	00
Leads	
Proprietary	False
Created date	04-09-2015

Nameplate

000613006HP					
CAT.NO.		SPEC NO.	T28T1351		
FR	UC 2815ATZ	HP	150	DUTY	CONT
ENCL.	DP	RPM	1750/ 2000	S.F.	1.0
ENCL MOD	FORCE VENT	VOLTS	500	INSUL	F
MAX SAFE SPEED	3400	AMPS	250.00	AMB.	40
	FIELD DATA	SER.NO.			
WINDING	STR. SHUNT	POWER CODE	C		
VOLTS	300	D.E. BRG.	75RU02M30X		
MAX AMPS @ 25 C	10.64	O.D.E. BRG.	55BC02J30X		
HOT AMPS	7.18/ 6.25	MIN. AMB.	0	TYPE	TR
	BRUSH:419904051AF				

609959-001

**INDUSTRIAL DIRECT CURRENT MOTORS
AND GENERATORS - RPM III**
STANDARD SIZE AND ONE SIZE LARGER
TERMINAL BOX DIMENSIONS
FRAMES C2113ATZ THRU C2815ATZ



DIMENSIONS ARE IN INCHES

FRAME SIZE	MAX. AMPS	STANDARD SIZE						STEEL TERMINAL BOX DIMENSIONS						ONE SIZE LARGER						
		AK(1)	AB	AC	AF	X	Y	AK(1)	AB	AC	AF	X	Y	AK(1)	AB	AC	AF	X	Y	
C2113ATZ	40	3/4 & 1"	8.97	7.47	1.94	4.38	5.00	7.05028-1-R	1-1/4 & 1-1/2	10.03	8.03	2.50	5.50	6.12	7.05029-1-R					
C2115ATZ	96	1-1/4 & 1-1/2	10.03	8.03	2.50	5.50	6.12	7.05029-1-R	2" & 2-1/2	11.16	8.41	3.19	7.00	7.62	7.05030-1-R					
C2115ATZ (C)	208	2" & 2-1/2	11.16	8.41	3.19	7.00	7.62	7.05030-1-R	2" & 2-1/2	11.16	8.41	3.19	7.00	7.62	7.05030-1-R					
C2518ATZ	40	3/4 & 1"	10.03	8.53	1.94	4.38	5.00	7.05029-1-R	1-1/4 & 1-1/2	11.09	9.09	2.50	5.50	6.12	7.05029-1-R					
C2518ATZ (C)	96	1-1/4 & 1-1/2	11.09	9.09	2.50	5.50	6.12	7.05029-1-R	2" & 2-1/2	12.22	9.47	3.19	7.00	7.62	7.05030-1-R					
C2818ATZ	208	2" & 2-1/2	12.22	9.47	3.19	7.00	7.62	7.05030-1-R	2" & 2-1/2	12.22	9.47	3.19	7.00	7.62	7.05030-1-R					
C2818ATZ (C)	400	2"	14.03	10.53	4.25	8.44	7.25	7.05030-1-R	3"	14.47	11.22	4.25	8.44	7.25	7.05030-1-R					
C2815ATZ	185	3"	14.47	11.22	4.25	8.44	7.25	7.05030-3-R	5" (4)	15.91	11.84	5.38	10.56	9.00	7.05030-3-R					
C2815ATZ (C)	259	4"	15.91	11.84	5.38	10.56	9.00	7.05030-3-R	5" (4)	18.72	13.47	7.00	12.75	15.00	7.05030-3-R					

FRAME SIZE	MAX. AMPS	STANDARD SIZE						CAST IRON TERMINAL BOX DIMENSIONS						ONE SIZE LARGER						
		AK(3)	AB	AC	AF	X	Y	AK(3)	AB	AC	AF	X	Y	AK(3)	AB	AC	AF	X	Y	
C2113ATZ	18	3/4	10.03	8.03	2.50	5.00	5.75	7.05028-2-S	1"	10.03	8.03	2.50	5.00	5.75	7.05028-2-T					
C2113ATZ (C)	40	1"	10.03	8.03	2.50	5.00	5.75	7.05028-2-T	1-1/2	10.97	8.53	3.00	6.00	7.00	7.05029-2-S					
C2115ATZ	96	1-1/2	10.97	8.53	3.00	6.00	7.00	7.05029-2-R	2"	10.97	8.53	3.00	6.00	7.00	7.05029-2-S					
C2115ATZ (C)	208	2"	10.97	8.53	3.00	6.00	7.00	7.05029-2-S	2-1/2	12.66	8.91	3.62	7.88	9.25	7.05030-2-R					
C2518ATZ	18	3/4	11.09	9.09	2.50	5.00	5.75	7.05028-2-S	1"	11.09	9.09	2.50	5.00	5.75	7.05028-2-T					
C2518ATZ (C)	96	1-1/2	12.03	9.59	3.00	6.00	7.00	7.05029-2-R	2"	12.03	9.59	3.00	6.00	7.00	7.05029-2-S					
C2515ATZ	208	2"	12.78	10.34	3.00	6.00	7.00	7.05029-2-S	2-1/2	13.72	9.97	3.62	7.88	9.25	7.05030-2-R					
C2813ATZ	185	3"	14.47	10.72	3.62	7.88	9.25	7.05030-4-R	4"	14.47	10.72	3.62	7.88	9.25	7.05030-4-R					
C2813ATZ (C)	259	4"	15.78	11.59	4.12	9.50	10.50	7.05030-4-R	5" (4)	15.78	11.59	4.12	9.50	10.50	7.05030-4-R					

FRAME SIZE	AMPS	STANDARD SIZE						OPTIONAL AUXILIARY CONDUIT BOX DIMENSIONS (MAXIMUM)						
		AB	AC	AF	X	AA	Y	PART NUMBER	AB	AC	AF	X	Y	PART NUMBER
C210	100	10.71	8.98	2.72	7.48	---	7.48	7.06310-56-A	10.88	8.00	8.00	8.00	7.06310-3-B	
	200	11.66	9.25	3.35	8.82	---	8.82	7.06310-56-B	11.88	8.00	8.00	8.00	7.06310-3-B	
	100	11.30	9.57	2.72	7.48	---	7.48	7.06310-56-A	11.88	8.00	8.00	8.00	7.06310-3-B	
C250	200	11.85	9.84	3.35	8.82	---	8.82	7.06310-56-B	12.62	8.00	8.00	8.00	7.06310-3-B	
	400	17.48	12.75	6.20	14.39	---	14.39	7.06310-63-B & 7.06310-63C	14.39	7.06310-63-B & 7.06310-63C	14.39	7.06310-63-B & 7.06310-63C		
	800	17.48	12.75	6.20	14.39	---	14.39	7.06310-63-B & 7.06310-63C	14.39	7.06310-63-B & 7.06310-63C	14.39	7.06310-63-B & 7.06310-63C		
	200	12.60	10.59	3.76	8.82	---	8.82	7.06310-56-B	12.62	8.00	8.00	8.00	7.06310-3-B	
	400	18.27	13.54	6.20	14.39	---	14.39	7.06310-63-B & 7.06310-63C	18.27	13.54	6.20	14.39	7.06310-63-B & 7.06310-63C	
C280	800	18.27	13.54	6.20	14.39	---	14.39	7.06310-63-B & 7.06310-63C	18.27	13.54	6.20	14.39	7.06310-63-B & 7.06310-63C	
	1600	18.27	13.54	7.68	15.35	---	15.35	7.06310-63-C	18.27	13.54	7.68	15.35	7.06310-63-C	

- (1) 1/4" CONDUIT
- (2) 1/2" CONDUIT
- (3) 3/4" CONDUIT
- (4) 1" CONDUIT

CUSTOMER IS RESPONSIBLE FOR DETERMINING THAT BALDOR'S PRODUCT WILL PERFORM SUITABLY IN THE INTENDED APPLICATION.

REV. DESC: ADD 706310-63G C/BOX TO C250 AND C280 FRAMES	VERSION: 01	TDR: 00000816512
REV. LTR: A	FILE: \RGG\00021\153	REVISED: 03: 09: 09 09/06/2013
MTL: -		BY: RGGWT



DIMENSION SHEET
SH 1 of 1

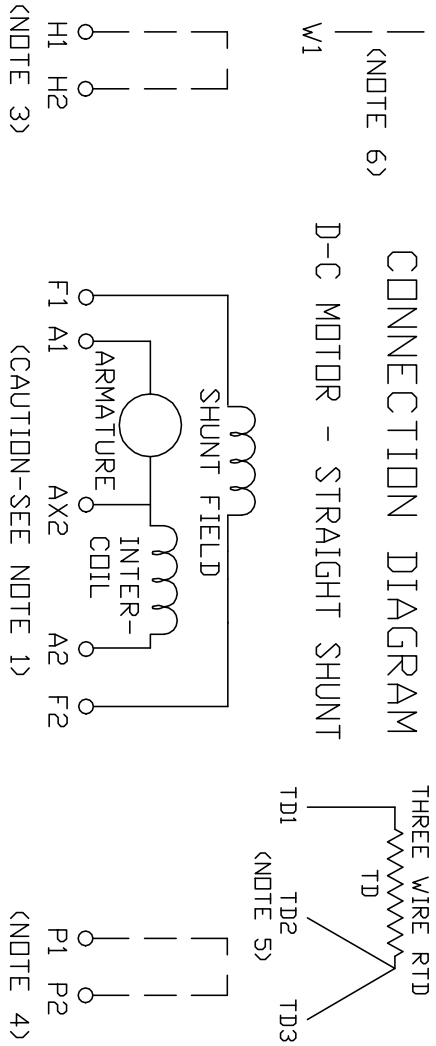
609959-001

406770-006

406770-006

CONNECTION DIAGRAM

D-C MOTOR - STRAIGHT SHUNT



ARMATURE AND FIELD EXTERNAL CONNECTIONS
WARNING- SEE NOTE 7 FOR GROUNDING INSTRUCTIONS



ROTATION FACING COMMUTATOR END

1. **CAUTION** — ARMATURE MAY HAVE MULTIPLE LEADS. CONNECT ALL LUGS WITH THE SAME MARKING TOGETHER.
2. OPTIONAL CONTROL SIGNAL LEAD IS MARKED AX2. ALWAYS TAKE INTERPOLE DROP BETWEEN A2 AND AX2. NOTE: NEMA DESIGNATION FOR AX2 IS LETTER C.
3. SPACE HEATERS, WHEN PROVIDED, WILL HAVE LEADS MARKED H1 AND H2, H3, H4, ETC.
4. THERMAL PROTECTOR, WHEN PROVIDED, WILL HAVE LEADS MARKED P1 AND P2, P3, P4, ETC.
5. WINDING RTD'S, WHEN PROVIDED, WILL HAVE LEADS MARKED TD1, TD2, & TD3.
6. BRUSH WEAR SENSOR, WHEN PROVIDED, WILL HAVE LEAD MARKED W1.
7. **WARNING** — MOTOR MUST BE GROUNDED TO PREVENT SERIOUS INJURIES TO PERSONNEL. GROUND THE MOTOR PER IEC, NATIONAL ELECTRICAL CODE AND ANY APPLICABLE LOCAL ELECTRICAL CODES. A TAPPED HOLE IS PROVIDED IN THE CONDUIT BOX, ON THE FOOT. FRAME BRACE OR OPPOSITE OPPOSITE DRIVE END BRACKET, ADJACENT TO THE TERMINAL BOX FOR FOR MOTOR GROUNDING. GROUND LEAD, WHEN PROVIDED, WILL BE GREEN.

CUSTOMER _____ RELIANCE
ORDER NO. _____ S.D. NO. _____

REV. DESC: UPDATE LOGO AND TITLEBLOCK: LOADED TO BUS		
REV. LTR: -	VERSION: 00	TDR: 000000781086
FILE: \RSN\00026\515	REVISED: 02: 41: 08 02/01/2013	
MTL: -	BY: MGHPC	

BALDOR

D-C MOTOR CONNECTION DIAGRAM, STRAIGHT SHUNT
SH 1 of 1