

**BALDOR • RELIANCE**

---

# Customer information packet

## D50150P

150HP, 1750/2000RPM, DC, 409AT, DPGF, F1, N

**Specifications**

|                                 |                         |
|---------------------------------|-------------------------|
| <b>Enclosure</b>                | DPFG                    |
| <b>Frame</b>                    | 409AT                   |
| <b>Frame Material</b>           | Steel                   |
| <b>Output Power</b>             | 150.000 HP              |
| <b>Agency Approvals</b>         | CSA                     |
| <b>Ambient Temperature</b>      | 40 °C                   |
| <b>Bearing Grease Type</b>      | Polyrex EM (-20F +300F) |
| <b>Drip Cover</b>               | No Drip Cover           |
| <b>Feedback Device</b>          | NO FEEDBACK             |
| <b>Field Winding Type</b>       | STR. SHUNT              |
| <b>Heater Indicator</b>         | No Heater               |
| <b>Lifting Lugs</b>             | Standard Lifting Lugs   |
| <b>Motor Standards</b>          | NEMA                    |
| <b>Mounting Arrangement</b>     | F1                      |
| <b>Overall Length</b>           | 44.34 IN                |
| <b>Shaft Extension Location</b> | Pulley End              |
| <b>Shaft Ground Indicator</b>   | No Shaft Grounding      |
| <b>Shaft Slinger Indicator</b>  | No Slinger              |

**Part detail**

|                     |            |
|---------------------|------------|
| <b>Revision</b>     | B          |
| <b>Type</b>         | DC         |
| <b>Mech. spec.</b>  |            |
| <b>Base</b>         |            |
| <b>Status</b>       | PRD/A      |
| <b>Elec. spec.</b>  | K0108A A   |
| <b>Layout</b>       | 877-2      |
| <b>Eff. date</b>    | 04-04-2022 |
| <b>CD Diagram</b>   | 15209      |
| <b>Poles</b>        | 00         |
| <b>Leads</b>        |            |
| <b>Proprietary</b>  | False      |
| <b>Created date</b> | 04-09-2015 |

**Nameplate**

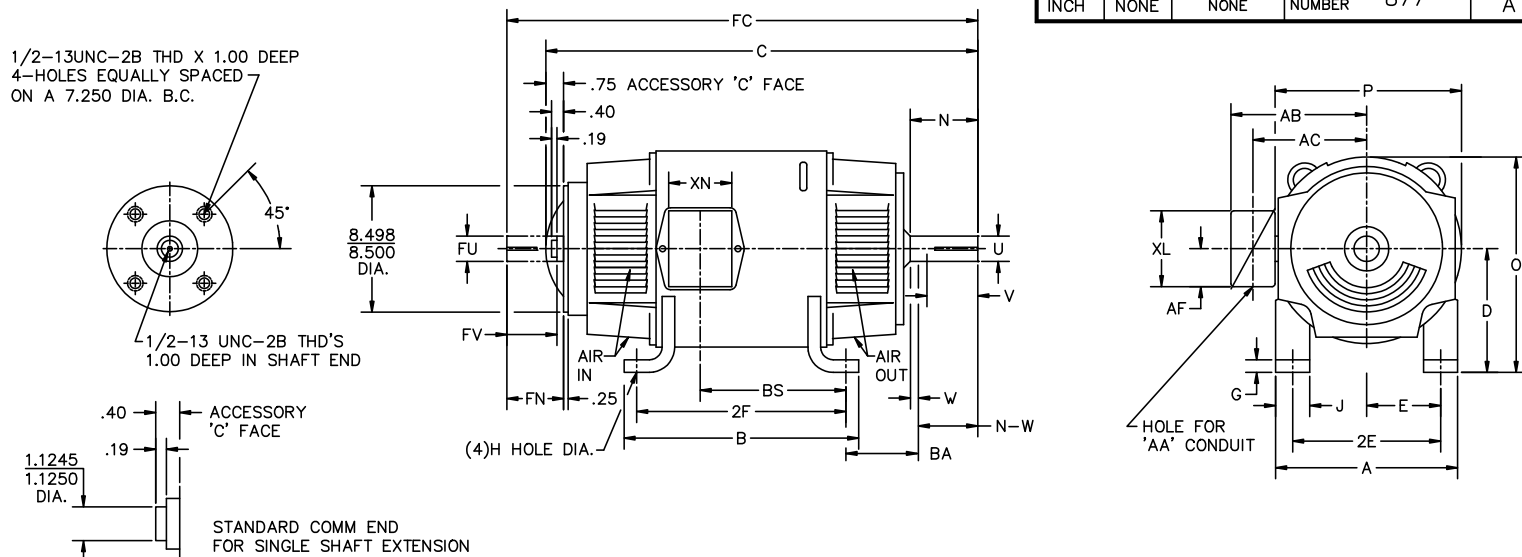
| <b>NP1734</b>      |               |                  |                     |               |            |
|--------------------|---------------|------------------|---------------------|---------------|------------|
| <b>CAT.NO.</b>     | D50150P       | <b>MODEL</b>     | T40R8002            |               |            |
| <b>HP</b>          | 150           | <b>RPM</b>       | 1750/2000           | <b>FRAME</b>  | 0409AT     |
| <b>ARM V</b>       | 500           | <b>ARM A</b>     | 237.00              | <b>WOUND</b>  | STR. SHUNT |
| <b>FLD V</b>       | 150/300       | <b>FLD A</b>     | 7.08-4.70/3.54-2.35 |               |            |
| <b>CONN</b>        |               | <b>OHMS</b>      |                     | <b>CL</b>     | F          |
| <b>ENCL</b>        | DPFG          | <b>DUTY</b>      | CONT                | <b>MX AMB</b> | 40         |
| <b>P CODE</b>      | D             | <b>CTSR</b>      |                     | <b>SER.F.</b> | 1.0        |
| <b>S/N</b>         |               | <b>E/S</b>       | K0108A A            |               |            |
|                    | BRUSH:40019-3 |                  |                     |               |            |
| <b>O.D.E. BRG.</b> | 6213          | <b>D.E. BRG.</b> | 6214                | <b>BRUSH</b>  | <b>QTY</b> |

**Accessories**

| <b>Part number</b> | <b>Description</b>                       | <b>Multiplier</b> |
|--------------------|--|-------------------|
| 96EP5000A01        | C-FACE CONVERSION KIT FOR STOCK MTR,FR 4 |                   |

|               |  |           |        |       |       |  |          |              |
|---------------|--|-----------|--------|-------|-------|--|----------|--------------|
| CUSTOMER NAME |  | MODEL NO. |        |       | MTG.  |  | REMARKS: |              |
| CUSTOMER P.O. |  | FRAME     | R.P.M. | VOLTS | PHASE |  | INSUL    | SHEET 2 OF 3 |
| CERTIFIED BY  |  | H.P.      | TYPE   | ENCL  | FREQ. |  | AMB.     |              |

|             |             |                  |             |     |           |   |
|-------------|-------------|------------------|-------------|-----|-----------|---|
| UNITS: INCH | SCALE: NONE | PROPORTION: NONE | PART NUMBER | 877 | DWG. SIZE | A |
|-------------|-------------|------------------|-------------|-----|-----------|---|



| FRAME   | FOOT MOUNTING |      |       |     |      |      | D.E. SHAFT EXTENSION |      |       |                   |     |         | DRIVE KEY |      | ACC SHAFT EXTENSION |      |         | ACC KEY  |       | FRAME |       |       |                    |       |       |
|---------|---------------|------|-------|-----|------|------|----------------------|------|-------|-------------------|-----|---------|-----------|------|---------------------|------|---------|----------|-------|-------|-------|-------|--------------------|-------|-------|
|         | BA            | E    | 2F    | G   | H    | J    | N                    | N-W  | U     | V                 | W   | KEY-SQ. | KEY-LONG  | FN   | FU                  | FV   | KEY-SQ. | KEY-LONG | A     | B     | C     | FC    | D                  | O     | P     |
| 407AT   | 6.63          | 8.00 | 18.00 | .81 | .938 | 4.00 | 5.44                 | 5.25 | 2.625 | 5.00 <sup>3</sup> | .19 | .625    | 4.00      | 4.95 | 2.375               | 4.70 | .625    | 3.50     | 20.00 | 20.00 | 40.13 | 44.34 | 10.00 <sup>2</sup> | 20.19 | 20.38 |
| L407AT  | 6.63          | 8.00 | 18.00 | .81 | .938 | 4.00 | 5.44                 | 5.25 | 2.625 | 5.00 <sup>3</sup> | .19 | .625    | 4.00      | 4.95 | 2.375               | 4.70 | .625    | 3.50     | 20.00 | 20.00 | 41.25 | 45.46 | 10.00 <sup>2</sup> | 20.19 | 20.38 |
| 409AT   | 6.63          | 8.00 | 22.00 | .81 | .938 | 4.00 | 5.44                 | 5.25 | 2.625 | 5.00 <sup>3</sup> | .19 | .625    | 4.00      | 4.95 | 2.375               | 4.70 | .625    | 3.50     | 20.00 | 24.00 | 44.63 | 48.84 | 10.00 <sup>2</sup> | 20.19 | 20.38 |
| L409AT  | 6.63          | 8.00 | 22.00 | .81 | .938 | 4.00 | 5.44                 | 5.25 | 2.625 | 5.00 <sup>3</sup> | .19 | .625    | 4.00      | 4.95 | 2.375               | 4.70 | .625    | 3.50     | 20.00 | 24.00 | 45.75 | 49.96 | 10.00 <sup>2</sup> | 20.19 | 20.38 |
| L4011AT | 6.63          | 8.00 | 28.00 | .81 | .938 | 4.00 | 5.44                 | 5.25 | 2.625 | 5.00 <sup>3</sup> | .19 | .625    | 4.00      | 4.95 | 2.375               | 4.70 | .625    | 3.50     | 20.00 | 30.00 | 52.75 | 56.96 | 10.00 <sup>2</sup> | 20.19 | 20.38 |

| FRAME   | CONDUIT BOX |       |       |      |       |       |       | ARM APPROX. WK <sup>2</sup> LBS.FT. <sup>2</sup> | APPROXIMATE WEIGHT |
|---------|-------------|-------|-------|------|-------|-------|-------|--|--------------------|
|         | AA          | AB    | AC    | AF   | BS    | XL    | XN    |  |                    |
| 407AT   | 3           | 18.28 | 14.45 | 3.34 | 14.50 | 11.63 | 7.76  | 35.47  | 1317 <sup>5</sup>  |
| L407AT  | 3           | 18.28 | 14.45 | 3.34 | 15.62 | 11.63 | 7.76  | 35.47  | 1367 <sup>5</sup>  |
| 409AT   | 3           | 18.28 | 14.45 | 3.34 | 19.00 | 11.63 | 7.76  | 43.81  | 1613 <sup>5</sup>  |
| L409AT  | 3           | 18.28 | 14.45 | 3.34 | 20.12 | 11.63 | 7.76  | 43.81  | 1663 <sup>5</sup>  |
| L4011AT | 4           | 19.28 | 14.63 | 3.50 | 27.70 | 13.40 | 13.50 | 55.64  | 2260 <sup>5</sup>  |

- 1) SHAFT DIAMETERS TO 1.500 TOLERANCE +.0000 -.0005
- 2) SHAFT DIAMETERS ABOVE 1.500 TOLERANCE +.0000 -.0010
- 3) SHAFT DIAMETERS TO 1.625 RUNOUT .002 T.I.R. MAX.
- 4) SHAFT DIAMETERS ABOVE 1.625 RUNOUT .003 T.I.R. MAX.
- 5) 'D' DIMENSION TOLERANCE +.000 -.060
- 6) 'V' DIMENSION IS MAX. HUB LENGTH ON SHAFT
- 7) CONDUIT BOX CAN BE ROTATED IN 90° STEPS ON ITS OWN AXIS.
- 8) TOTAL WEIGHT OF MOTOR.
- 9) ALL DIMENSIONS NOT NOTED ARE NOMINAL DIMENSIONS CONSULT FACTORY FOR TOLERANCES.

FOR F1 OR F2 CONDUIT BOX LOCATION SEE SALES ORDER

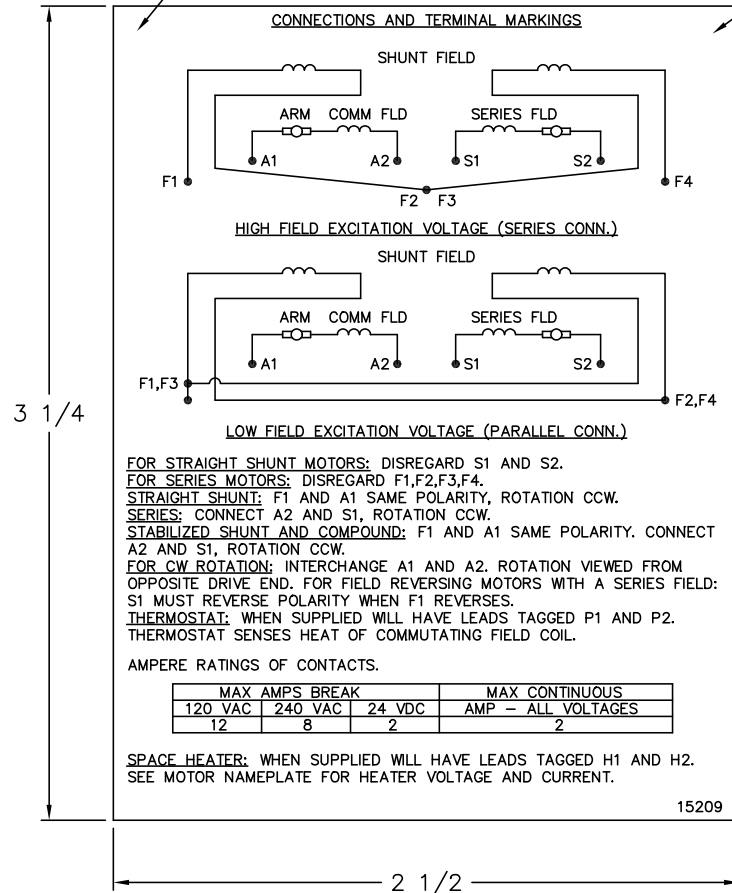
|                            |  |
|----------------------------|--|
| DESIGNER<br>CSL<br>7-19-91 | <b>BALDOR</b>                          |
| ENGINEER<br>RFI<br>7-19-91 |  |
| ENGINEER<br>DAC<br>7-19-91 | TITLE: DIMENSION SHEET<br>DPFG, STD AT |
| MANUF.<br>RWT<br>7-19-91   | SHEET 2 OF 3                           |
| REV. ECO.                  | PART NUMBER<br>877                     |
| DESCRIPTION                | DWG. SIZE<br>A                         |
| BY                         | REV.<br>B                              |
| DATE                       |  |

|      |       |                   |     |           |
|------|-------|-------------------|-----|-----------|
| B    | 54100 | ADD L4011AT FRAME | CSL | 3-16-1994 |
| REV. | ECO.  | DESCRIPTION       | BY  | DATE      |

15209

ALUMINUM (MATT) BACKGROUND WITH BLACK LETTERS

LABEL MANUFACTURER IDENTIFYING MARK TO APPEAR HERE



**NOTE:**  
 MATERIAL .005 MINIMUM FULL HARD ALUMINUM DULL FINISH.  
 TEMP. RANGE -20°C TO +125°C MAXIMUM.  
 FOR INDOOR AND OUTDOOR MOUNTING BACK.  
 METAL, PRESSURE SENSITIVE BACK. MUST MEET CSA STANDARD.  
 THE CSA IDENTIFYING MARK OF THE LABEL MANUFACTURER MUST APPEAR IN THE UPPER RIGHT HAND CORNER AS INDICATED.

UNLESS OTHERWISE SPECIFIED, BREAK ALL SHARP EDGES .010/.020. REMOVE ALL BURRS.

**TOLERANCES**

|            |                 |
|------------|-----------------|
| .X ±.015   | FRACTIONS ±1/32 |
| .XX ±.010  | RADI ±1/16      |
| .XXX ±.005 | ANGLES ±1°      |

15209

|             |   |  |                   |
|-------------|---|--|-------------------|
| MATL: NOTED |   |  |                   |
| REV:        | G | CHANGE ALL "NAMEPLATE" TEXT TO "LABEL" |                   |
| 60Z91       |   | SCALE: -                               | BY: BKW           |
|             |   | FILE: CHB00002485                      | REVISED: 02/19/97 |
|             |   | TDR: 0115147                           |                   |

**BALDOR ELECTRIC Co.**

LABEL, CONNECTIONS AND TERMINAL MARKINGS DC