

# **ABB BALDOR RELIANCE III**

---

## **Customer information packet**

D50125P

125HP, 1750/2000RPM, DC, 407AT, DPF, FX, N

Copyright © All product information within this document is subject to ABB Motors and Mechanical Inc. copyright © protection, unless otherwise noted.

7/8/2026 12:48:37 PM

**Specifications**

<b>Armature Voltage</b>	500 V
<b>Base Speed</b>	1750 rpm
<b>Enclosure</b>	DPFG
<b>Field Voltage</b>	150 V
	300 V
<b>Frame</b>	407AT
<b>Frame Material</b>	Steel
<b>Output Power</b>	125.000 HP
<b>Agency Approvals</b>	CSA
<b>Ambient Temperature</b>	40 °C
<b>Armature Current</b>	200.0 a
<b>Bearing Grease Type</b>	Polyrex EM (-20F +300F)
<b>Drip Cover</b>	No Drip Cover
<b>Duty Rating</b>	CONT
<b>Feedback Device</b>	NO FEEDBACK
<b>Field Winding Type</b>	STR. SHUNT
<b>Heater Indicator</b>	No Heater
<b>Lifting Lugs</b>	Standard Lifting Lugs
<b>Motor Standards</b>	NEMA
<b>Mounting Arrangement</b>	F1
<b>Overall Length</b>	40.13 IN
<b>Service Factor</b>	1.00
<b>Shaft Extension Location</b>	Pulley End
<b>Shaft Ground Indicator</b>	No Shaft Grounding
<b>Shaft Slinger Indicator</b>	No Slinger

**Part Detail**

<b>Revision</b>	D
<b>Type</b>	DC
<b>Mech. spec.</b>	
<b>Base</b>	
<b>Status</b>	PRD/A
<b>Elec. spec.</b>	K0069A A
<b>Layout</b>	877-2
<b>Eff. date</b>	03-22-2022
<b>CD Diagram</b>	15209
<b>Poles</b>	00
<b>Leads</b>	
<b>Proprietary</b>	False
<b>Created date</b>	04-09-2015

**Nameplate**

<b>NP1734</b>					
<b>CAT.NO.</b>		<b>MODEL</b>	T40R8001		
<b>HP</b>	125	<b>RPM</b>	1750/2000	<b>FRAME</b>	0407AT
<b>ARM V</b>	500	<b>ARM A</b>	200.00	<b>WOUND</b>	STR. SHUNT
<b>FLD V</b>	150/300	<b>FLD A</b>	9.18-6.00/4.59-3.00		
<b>CONN</b>		<b>OHMS</b>		<b>CL</b>	F
<b>ENCL</b>	DPFG	<b>DUTY</b>	CONT	<b>MX AMB</b>	40
<b>P CODE</b>	D	<b>CTSR</b>		<b>SER.F.</b>	1.0
<b>S/N</b>		<b>E/S</b>	K0069A A		
	BRUSH:40019-3				
<b>O.D.E. BRG.</b>	6213	<b>D.E. BRG.</b>	6214	<b>BRUSH</b>	<b>QTY</b>

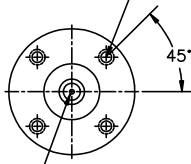
**Accessories**

<b>Part number</b>	<b>Description</b>	<b>Multiplier</b>
96EP5000A01	C-FACE CONVERSION KIT FOR STOCK MTR,FR 4	

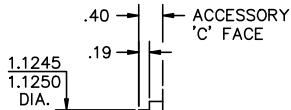
CUSTOMER NAME		MODEL NO.			MTG.		REMARKS:	
CUSTOMER P.O.		FRAME	R.P.M.	VOLTS	PHASE		INSUL	SHEET 2 OF 3
CERTIFIED BY		H.P.	TYPE	ENCL	FREQ.		AMB.	

UNITS: INCH	SCALE: NONE	PROPORTION: NONE	PART NUMBER	877	DWG. SIZE	A
----------------	----------------	---------------------	-------------	-----	-----------	---

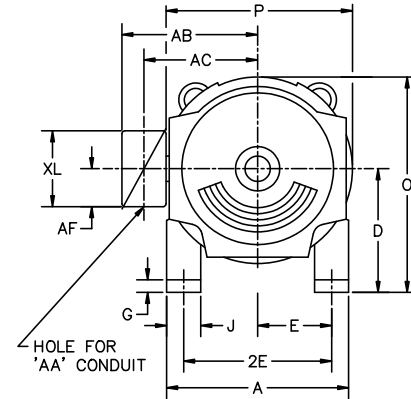
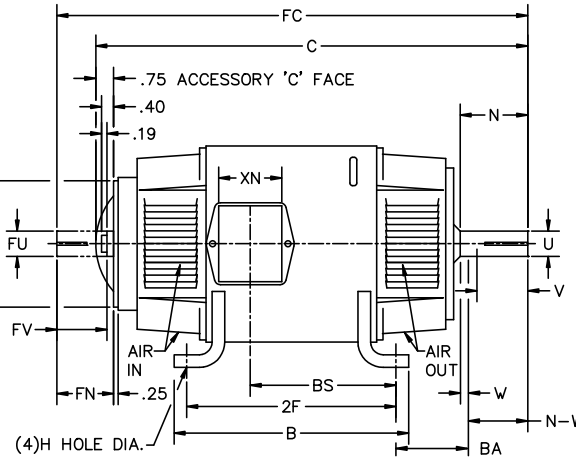
1/2-13UNC-2B THD X 1.00 DEEP  
4-HOLES EQUALLY SPACED  
ON A 7.250 DIA. B.C.



1/2-13 UNC-2B THD'S  
1.00 DEEP IN SHAFT END



STANDARD COMM END  
FOR SINGLE SHAFT EXTENSION



FRAME	FOOT MOUNTING						D.E. SHAFT EXTENSION					DRIVE KEY		ACC SHAFT EXTENSION			ACC KEY		FRAME						
	BA	E	2F	G	H	J	N	N-W	U	V	W	KEY-SQ.	KEY-LONG	FN	FU	FV	KEY-SQ.	KEY-LONG	A	B	C	FC	D	O	P
407AT	6.63	8.00	18.00	.81	.938	4.00	5.44	5.25	2.625	5.00 <sup>3</sup>	.19	.625	4.00	4.95	2.375	4.70	.625	3.50	20.00	20.00	40.13	44.34	10.00 <sup>2</sup>	20.19	20.38
L407AT	6.63	8.00	18.00	.81	.938	4.00	5.44	5.25	2.625	5.00 <sup>3</sup>	.19	.625	4.00	4.95	2.375	4.70	.625	3.50	20.00	20.00	41.25	45.46	10.00 <sup>2</sup>	20.19	20.38
409AT	6.63	8.00	22.00	.81	.938	4.00	5.44	5.25	2.625	5.00 <sup>3</sup>	.19	.625	4.00	4.95	2.375	4.70	.625	3.50	20.00	24.00	44.63	48.84	10.00 <sup>2</sup>	20.19	20.38
L409AT	6.63	8.00	22.00	.81	.938	4.00	5.44	5.25	2.625	5.00 <sup>3</sup>	.19	.625	4.00	4.95	2.375	4.70	.625	3.50	20.00	24.00	45.75	49.96	10.00 <sup>2</sup>	20.19	20.38
L4011AT	6.63	8.00	28.00	.81	.938	4.00	5.44	5.25	2.625	5.00 <sup>3</sup>	.19	.625	4.00	4.95	2.375	4.70	.625	3.50	20.00	30.00	52.75	56.96	10.00 <sup>2</sup>	20.19	20.38

FRAME	CONDUIT BOX							ARM APPROX. WK <sup>2</sup> LBS.FT. <sup>2</sup>	APPROXIMATE WEIGHT
	AA	AB	AC	AF	BS	XL	XN		
407AT	3	18.28	14.45	3.34	14.50	11.63	7.76	35.47	1317 <sup>5</sup>
L407AT	3	18.28	14.45	3.34	15.62	11.63	7.76	35.47	1367 <sup>5</sup>
409AT	3	18.28	14.45	3.34	19.00	11.63	7.76	43.81	1613 <sup>5</sup>
L409AT	3	18.28	14.45	3.34	20.12	11.63	7.76	43.81	1663 <sup>5</sup>
L4011AT	4	19.28	14.63	3.50	27.70	13.40	13.50	55.64	2260 <sup>5</sup>

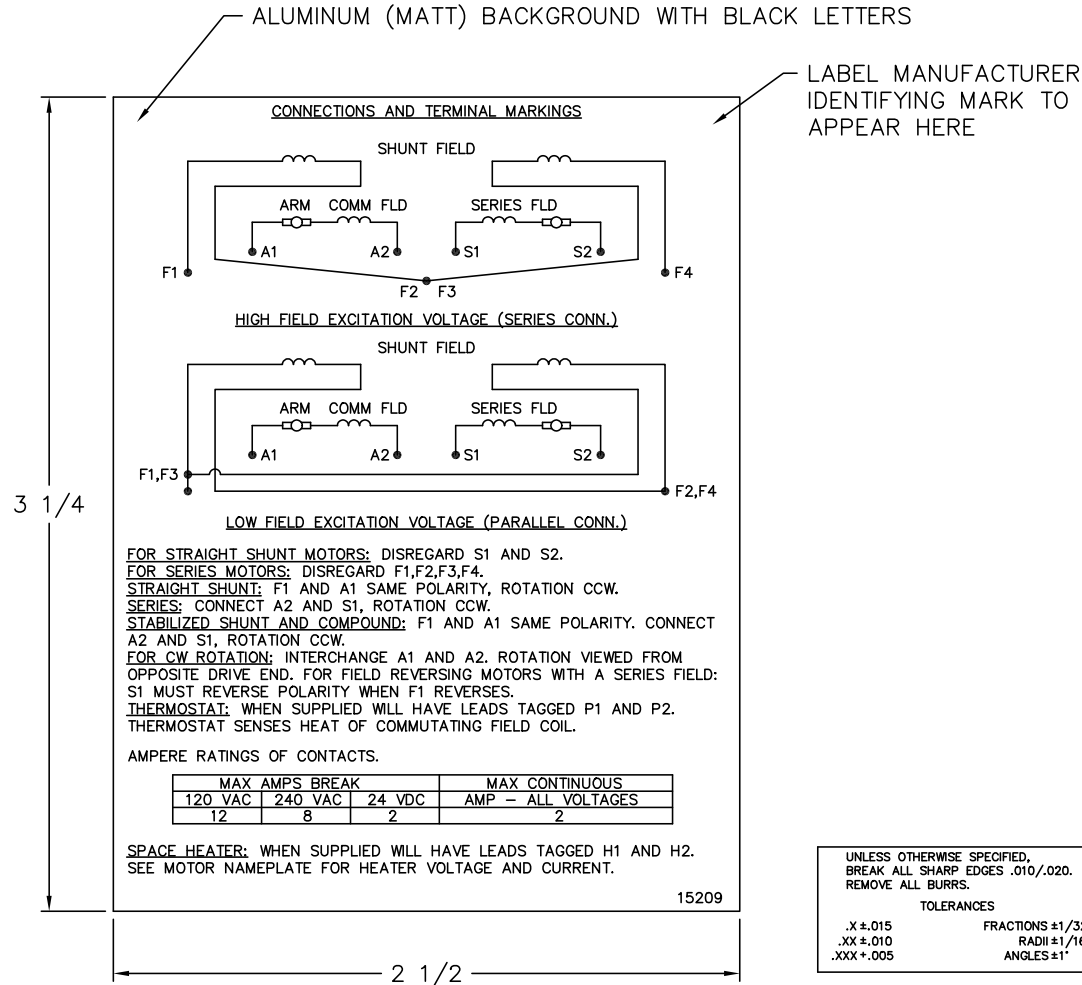
- 1) SHAFT DIAMETERS TO 1.500 TOLERANCE +.0000 -.0005
- 2) SHAFT DIAMETERS ABOVE 1.500 TOLERANCE +.0000 -.0010
- 3) SHAFT DIAMETERS TO 1.625 RUNOUT .002 T.I.R. MAX.
- 4) SHAFT DIAMETERS ABOVE 1.625 RUNOUT .003 T.I.R. MAX.
- 5) 'D' DIMENSION TOLERANCE +.000 -.060
- 6) 'V' DIMENSION IS MAX. HUB LENGTH ON SHAFT
- 7) CONDUIT BOX CAN BE ROTATED IN 90° STEPS ON ITS OWN AXIS.
- 8) TOTAL WEIGHT OF MOTOR.
- 9) ALL DIMENSIONS NOT NOTED ARE NOMINAL DIMENSIONS CONSULT FACTORY FOR TOLERANCES.

FOR F1 OR F2 CONDUIT BOX  
LOCATION SEE SALES ORDER

DESIGNER CSL 7-19-91	<b>BALDOR</b>
ENGINEER RFI 7-19-91	
ENGINEER DAC 7-19-91	TITLE: DIMENSION SHEET DPFG, STD AT
MANUF. RWT 7-19-91	SHEET 2 OF 3
REV. ECO.	PART NUMBER 877
DESCRIPTION	DWG. SIZE A
BY	REV. B
DATE	

B	54100	ADD L4011AT FRAME	CSL	3-16-1994
REV.	ECO.	DESCRIPTION	BY	DATE

15209



**NOTE:**  
 MATERIAL .005 MINIMUM FULL HARD ALUMINUM DULL FINISH.  
 TEMP. RANGE -20°C TO +125°C MAXIMUM.  
 FOR INDOOR AND OUTDOOR MOUNTING BACK.  
 METAL, PRESSURE SENSITIVE BACK. MUST MEET CSA STANDARD.  
 THE CSA IDENTIFYING MARK OF THE LABEL MANUFACTURER MUST APPEAR IN THE UPPER RIGHT HAND CORNER AS INDICATED.

MATL: NOTED			
REV:	G	CHANGE ALL "NAMEPLATE" TEXT TO "LABEL"	
60Z91		SCALE: -	BY: BKW
		FILE: CHB00002485	REVISED: 02/19/97
		TDR: 0115147	

**BALDOR ELECTRIC Co.**

LABEL, CONNECTIONS AND TERMINAL MARKINGS DC

15209