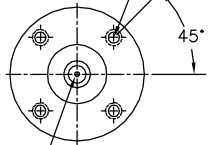
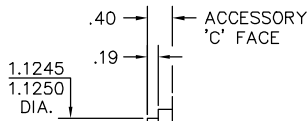


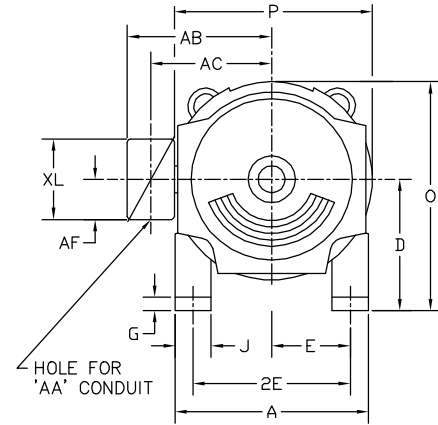
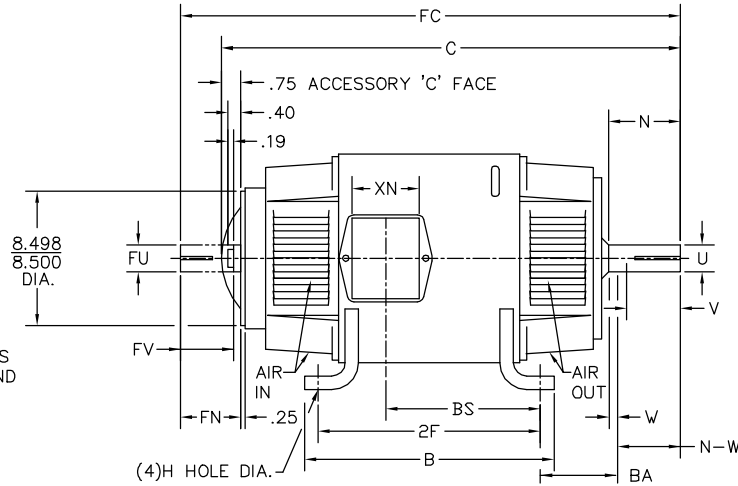
1/2-13UNC-2B THD X 1.00 DEEP
4-HOLES EQUALLY SPACED
ON A 7.250 DIA. B.C.



3/8-16 UNC-2B THD'S
.88 DEEP IN SHAFT END



STANDARD COMM END
FOR SINGLE SHAFT EXTENSION



FRAME	FOOT MOUNTING						D.E. SHAFT EXTENSION						DRIVE KEY		ACC SHAFT			ACC KEY		FRAME					
	BA	E	2F	G	H	J	N	N-W	U	V	W	KEY-SQ.	KEY-LONG	FN	FU	FV	KEY-SQ.	KEY-LONG	A	B	C	FC	D	O	P
218AT	3.50	4.25	10.00	.50	.406	2.00	3.00	2.75	1.375	2.50 ³	.25	.312	1.75	2.44	1.125	2.19	.250	2.25	10.38	11.00	24.25	25.93	5.25 ²	10.47	10.44
219AT	3.50	4.25	11.00	.50	.406	2.00	3.00	2.75	1.375	2.50 ³	.25	.312	1.75	2.44	1.125	2.19	.250	2.25	10.38	12.00	25.25	26.93	5.25 ²	10.47	10.44
2110AT	3.50	4.25	12.50	.50	.406	2.00	3.00	2.75	1.375	2.50 ³	.25	.312	1.75	2.44	1.125	2.19	.250	2.25	10.38	13.50	26.75	28.43	5.25 ²	10.47	10.44
258AT	4.25	5.00	12.50	.69	.531	2.25	3.44	3.25	1.625	3.00 ³	.19	.375	2.31	3.33	1.375	3.08	.312	3.00	12.38	14.00	27.25	29.84	6.25 ²	12.47	12.44
259AT	4.25	5.00	14.00	.69	.531	2.25	3.44	3.25	1.625	3.00 ³	.19	.375	2.31	3.33	1.375	3.08	.312	3.00	12.38	15.50	28.75	31.34	6.25 ²	12.47	12.44
2510AT	4.25	5.00	16.00	.69	.531	2.25	3.44	3.25	1.625	3.00 ³	.19	.375	2.31	3.33	1.375	3.08	.312	3.00	12.38	17.56	30.75	33.34	6.25 ²	12.47	12.44
2513AT	4.25	5.00	22.00	.69	.531	2.25	3.44	3.25	1.625	3.00 ³	.19	.375	2.31	3.33	1.375	3.08	.312	3.00	12.38	23.50	36.75	39.34	6.25 ²	12.47	12.44

FRAME	CONDUIT BOX							ARM APPROX. WK ² LBS.FT. ²	APPROXIMATE WEIGHT
	AA	AB	AC	AF	BS	XL	XN		
218AT	3/4-1	7.91	6.44	2.44	8.38	3.81	3.12	1.35	242 ⁵
219AT	3/4-1	7.91	6.44	2.44	9.38	3.81	3.12	1.49	260 ⁵
2110AT	3/4-1	7.91	6.44	2.44	10.88	3.81	3.12	1.71	286 ⁵
258AT	1 1/4	9.35	7.72	2.94	9.75	4.94	4.00	2.91	366 ⁵
259AT	1 1/4	9.35	7.72	2.94	11.25	4.94	4.00	3.31	411 ⁵
2510AT	1 1/4	9.35	7.72	2.94	13.25	4.94	4.00	3.80	471 ⁵
2513AT	1 1/4	9.35	7.72	2.94	19.25	4.94	4.00	5.27	532 ⁵

- 1) SHAFT DIAMETERS TO 1.500 TOLERANCE +.0000 -.0005
SHAFT DIAMETERS ABOVE 1.500 TOLERANCE +.0000 -.0010
SHAFT DIAMETERS TO 1.625 RUNOUT .002 T.I.R. MAX.
SHAFT DIAMETERS ABOVE 1.625 RUNOUT .003 T.I.R. MAX.
- 2) 'D' DIMENSION TOLERANCE +.000 - .060
- 3) 'V' DIMENSION IS MAX. HUB LENGTH ON SHAFT
- 4) CONDUIT BOX CAN BE ROTATED IN 90° STEPS ON ITS OWN AXIS.
- 5) TOTAL WEIGHT OF MOTOR.
- 6) ALL DIMENSIONS NOT NOTED ARE NOMINAL DIMENSIONS CONSULT FACTORY FOR TOLERANCES.

FOR F1 OR F2 CONDUIT BOX
LOCATION SEE SALES ORDER

CUSTOMER IS RESPONSIBLE FOR DETERMINING THAT BALDOR'S PRODUCT WILL PERFORM SUITABLY IN THE INTENDED APPLICATION.

REV. DESC: REV. "D" DIM TO +.000 -.060 ONLY		
REV. LTR: B	VERSION: 01	TDR: 000000752566
FILE: \RGG\00019\505	REVISED: 09:35:03 06/20/2012	BY: RGGNAS
MTL: -		

BALDOR

DIM SHEET, 218AT-2513AT, DPFG, STD

SH 1 of 1