

**BALDOR® • RELIANCE™**

---

# Customer information packet

## D5003R

C1811ATZ, 3HP, 1750RPM, 500, 300, DPG, F1

## Specifications

Armature Voltage	500 V
Base Speed	1750 rpm
Enclosure	DP
Field Voltage	300 V
Frame	C1811ATZ
Output Power	3.000 HP
Agency Approvals	CCSA US
Ambient Temperature	40 °C
Armature Current	5.2 a
Drip Cover	No Drip Cover
Duty Rating	CONT
Feedback Device	NO FEEDBACK
Field Winding Type	STR. SHUNT
Frame Prefix	C
Heater Indicator	No Heater
Insulation Class	F
Lifting Lugs	Standard Lifting Lugs
Motor Standards	NEMA
Mounting Arrangement	F1
Overall Length	26.38 IN
Service Factor	1.00
Shaft Diameter	1.375 IN
Shaft Ground Indicator	No Shaft Grounding
Shaft Slinger Indicator	No Slinger
Thermal Device - Bearing	None

## Part detail

Revision	-
Type	DC
Mech. spec.	
Base	
Status	PRD/A
Elec. spec.	G2194B A
Layout	609980-001
Eff. date	01-02-2020
CD Diagram	406770-006
Poles	00
Leads	
Proprietary	False
Created date	12-27-2019

**Nameplate**

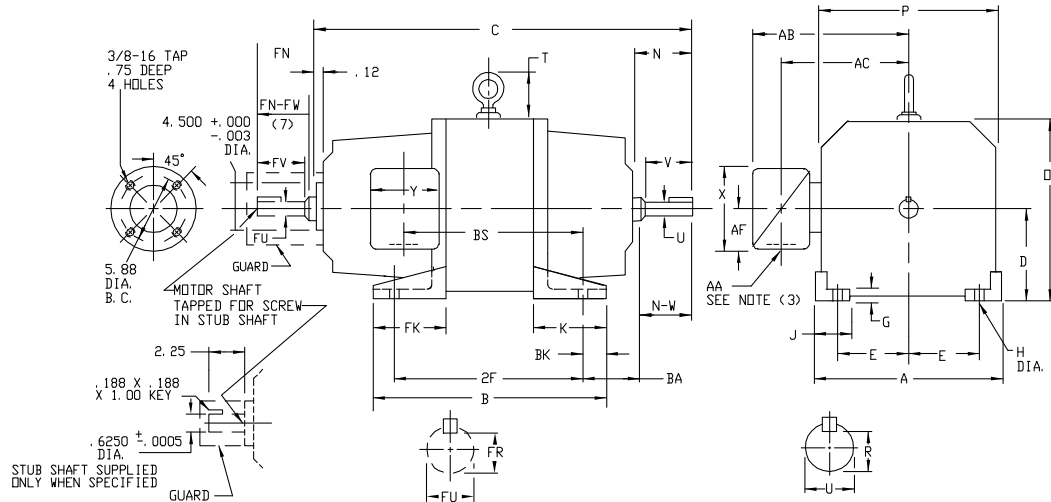
000613006HP					
<b>CAT.NO.</b>	D5003R	<b>SPEC NO.</b>	T18S1333		
<b>FR</b>	C1811ATZ	<b>HP</b>	3	<b>DUTY</b>	CONT
<b>ENCL.</b>	DP	<b>RPM</b>	1750/2300	<b>S.F.</b>	1.0
<b>ENCL MOD</b>	GUARDED	<b>VOLTS</b>	500	<b>INSUL</b>	F
<b>MAX SAFE SPEED</b>	5000	<b>AMPS</b>	5.20	<b>AMB.</b>	40
	<b>FIELD DATA</b>	<b>SER.NO.</b>			
<b>WINDING</b>	STR. SHUNT	<b>POWER CODE</b>	D		
<b>VOLTS</b>	300	<b>D.E. BRG.</b>	40BC02J30X		
<b>MAX AMPS @ 25 C</b>	.72	<b>O.D.E. BRG.</b>	30BC02J30X		
<b>HOT AMPS</b>	.57/.32	<b>MIN. AMB.</b>	0	<b>TYPE</b>	TR
	BRUSH:419904051E				

609980-001

### INDUSTRIAL DIRECT CURRENT MOTORS AND GENERATORS - RPM III

MOUNTING: FOOT      ENCLOSURE: DRIP-PROOF FULLY-GUARDED      COOLING: SELF-VENTILATED      ACCESSORIES: PROVISION FOR TACHOMETER MOUNTING ONLY WHEN SPECIFIED  
METHOD OF DRIVE: COUPLED OR BELTED      SPLASHPROOF, TOTALLY ENCLOSED      NON-VENTILATED

FRAMES C180ATZ



- (1) "D" DIMENSION WILL NOT BE EXCEEDED. SHIMS UP TO .06 INCHES IN THICKNESS ARE USUALLY REQUIRED FOR COUPLED OR GEARED MACHINES.
  - (2) "U" AND "FU" VARY +.0000 - .0005
  - (3) TERMINAL BOX CAN BE ROTATED FOR LEAD OUTLET AT TOP, SIDES OR BOTTOM.  
FOR "X/P" TERMINAL BOX DIMENSIONS SEE 609989-1.  
FOR MILL TYPE TERMINAL BOX DIMENSIONS SEE 609989-2.
  - (4) "R" AND "FR" VARY +.000, -.015.
  - (5) AA CONDUIT, TERMINAL BOX PROVIDED WITH DOUBLE KNOCKOUT.
  - (6) AA PIPE TAP
  - (7) OPPOSITE DRIVE END SHAFT SUPPLIED ONLY WHEN SPECIFIED.
  - (8) WHEN THE MOTOR APPLICATION DOES NOT REQUIRE THE USE OF DRIP DRIVE END, ADD .25 TO "C" DIM. FOR BRACKET COVER.
- TERMINAL BOX LOCATED ON OPPOSITE SIDE WHEN F-2,  
V-1, W-4, W-5, W-7 OR C-1 MOUNTING IS SPECIFIED.  
BOX LOCATED ON TOP WHEN SPECIFIED.
- MOTOR WEIGHT MAY VARY 15% FOR NON-STANDARD RATINGS AND/OR ACCESSORIES.  
IF MOUNTING CLEARANCE DETAILS ARE REQUIRED, CONSULT FACTORY.

DIMENSIONS ARE IN INCHES

FRAME	A	D(1)	E	G	H	J	D	P	T	BA	K	FK	BK
C1811ATZ-C1812ATZ	9.00	4.50	3.75	.31	.44	1.50	8.88	8.75	1.88	2.75	4.38	4.38	.50

FRAME	C(8)	B	BS	2F	DRIVE END SHAFT AND KEY				OPPOSITE DRIVE END SHAFT AND KEY (7)				WT. LBS.						
					N	N-W	UC(2)	V	R(4)	SO.	LGTH	FN	FN-FW	FUC(2)	FV	FR(4)	SO.	LGTH	
C1811ATZ	23.94	14.00	11.00	12.50	3.00	2.75	1.3750	2.50	1.201	.312	1.75	2.44	2.25	1.1250	2.00	.986	.250	1.38	175
C1812ATZ	25.44	15.50	12.50	14.00	3.00	2.75	1.3750	2.50	1.201	.312	1.75	2.44	2.25	1.1250	2.00	.986	.250	1.38	210

FRAME	MAX. AMPS	STANDARD SIZE						PART NUMBER	ONE SIZE LARGER						PART NUMBER
		AA(5)	AB	AC	AF	X	Y		AA(5)	AB	AC	AF	X	Y	
C180ATZ	40	3/4 & 1"	7.31	5.75	1.94	4.38	5.00	705028-1-R	1-1/4 & 1-1/2	8.31	6.31	2.50	5.50	6.12	705029-1-R
	96	1-1/4 & 1-1/2	8.31	6.31	2.50	5.50	6.12	705029-1-R	2" & 2-1/2	9.44	6.69	3.19	7.00	7.62	705030-1-R

FRAME	MAX. AMPS	STANDARD SIZE						PART NUMBER	ONE SIZE LARGER						PART NUMBER
		AA(6)	AB	AC	AF	X	Y		AA(6)	AB	AC	AF	X	Y	
C180ATZ	18	3/4	9.38	7.38	2.50	5.00	5.75	705028-2-S	1	9.38	7.38	2.50	5.00	5.75	705028-2-T
	40	1	9.38	7.38	2.50	5.00	5.75	705028-2-T	1-1/2	10.31	7.88	3.00	6.00	7.00	705029-2-R
	96	1-1/2	10.31	7.88	3.00	6.00	7.00	705029-2-R	2	10.31	7.88	3.00	6.00	7.00	705029-2-S

CUSTOMER IS RESPONSIBLE FOR DETERMINING THAT BALDOR'S PRODUCT WILL PERFORM SUITABLY IN THE INTENDED APPLICATION.

REV. DESC: REVISE "D" DIM TOLERANCE		
REV. LTR: B	VERSION: 02	TDR: 00001158210
FILE: \RGG\00031\202	REVISED: 01:10:53 01/13/2021	BY: RGNAS
MTL: -		

**BALDOR - RELIANCE®**

DIMENSION DRAWING, C180ATZ, DPG, TENV, FOOT MTG.

SH 1 of 1

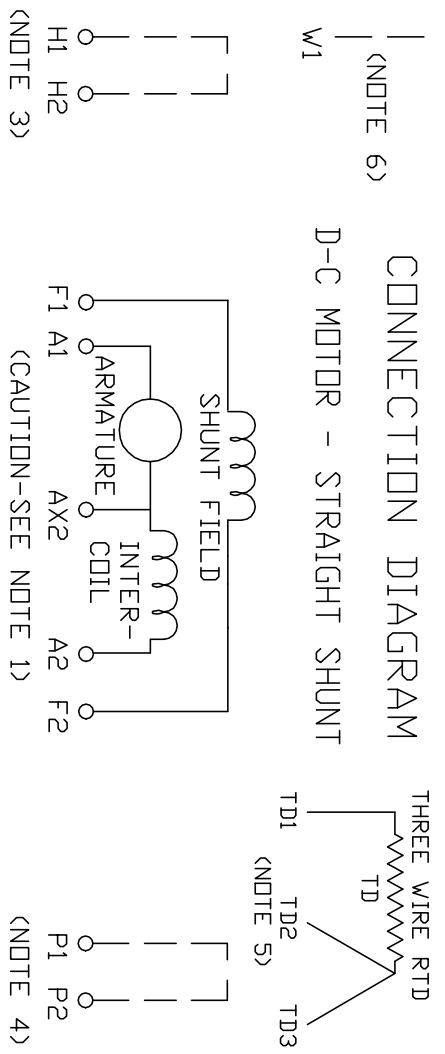
609980-001

406770-006

406770-006

### CONNECTION DIAGRAM

#### D-C MOTOR - STRAIGHT SHUNT



ARMATURE AND FIELD EXTERNAL CONNECTIONS  
WARNING- SEE NOTE 7 FOR GROUNDING INSTRUCTIONS

ROTATION FACING COMMUTATOR END

- CAUTION** — ARMATURE MAY HAVE MULTIPLE LEADS. CONNECT ALL LUGS WITH THE SAME MARKING TOGETHER.
- OPTIONAL CONTROL SIGNAL LEAD IS MARKED AX2. ALWAYS TAKE INTERPOLE DROP BETWEEN A2 AND AX2. NOTE: NEMA DESIGNATION FOR AX2 IS LETTER C.
- SPACE HEATERS, WHEN PROVIDED, WILL HAVE LEADS MARKED H1 AND H2, H3, H4, ETC.
- THERMAL PROTECTOR, WHEN PROVIDED, WILL HAVE LEADS MARKED P1 AND P2, P3, P4, ETC.
- WINDING RTD'S, WHEN PROVIDED, WILL HAVE LEADS MARKED TD1, TD2, & TD3.
- BRUSH WEAR SENSOR, WHEN PROVIDED, WILL HAVE LEAD MARKED W1.
- WARNING** — MOTOR MUST BE GROUNDED TO PREVENT SERIOUS INJURIES TO PERSONNEL. GROUND THE MOTOR PER IEC, NATIONAL ELECTRICAL CODE AND ANY APPLICABLE LOCAL ELECTRICAL CODES. A TAPPED HOLE IS PROVIDED IN THE CONDUIT BOX, ON THE FOOT. FRAME BRACE OR OPPOSITE OPPOSITE DRIVE END BRACKET, ADJACENT TO THE TERMINAL BOX FOR FOR MOTOR GROUNDING. GROUND LEAD, WHEN PROVIDED, WILL BE GREEN.

CUSTOMER \_\_\_\_\_ RELIANCE  
 ORDER NO. \_\_\_\_\_ S.D. NO. \_\_\_\_\_

REV. DESC: UPDATE LOGO AND TITLEBLOCK: LOADED TO BUS		
REV. LTR: -	VERSION: 00	TDR: 000000781086
FILE: \RSN\00026\515	REVISED: 02:41:08 02/01/2013	
MTL: -	BY: MGHPC	

**BALDOR**

D-C MOTOR CONNECTION DIAGRAM, STRAIGHT SHUNT

SH 1 of 1