

BALDOR • RELIANCE

Customer information packet

D1154

1HP, 1750RPM, DC, 56, 3535D, TEFC, F1

Class - None

Division -

Specifications

Armature Voltage	115 V
Base Speed	1750 rpm
Enclosure	TEFC
Field Voltage	115 V
Frame	56
Frame Material	Steel
Output Power	1.000 HP
XP Class and Group	None
Agency Approvals	CSA UR
Ambient Temperature	40 °C
Armature Current	8.0 a
Armature Inertia	13.657 lb-ft ²
Base Indicator	Rigid
Bearing Grease Type	Polyrex EM (-20F +300F)
Drip Cover	No Drip Cover
Duty Rating	CONT
Feedback Device	NO FEEDBACK
Field Winding Type	COMPOUND
Heater Indicator	No Heater
Lifting Lugs	No Lifting Lugs
Motor Lead Exit	Ko Box
Motor Lead Quantity/Wire Size	2 @ 18 AWG, F
Motor Lead Termination	Flying Leads
Motor Standards	NEMA
Mounting Arrangement	F1
Overall Length	15.44 IN
Product Family	General Purpose
Pulley End Bearing Type	Sealed Bearing
RoHS Status	ROHS COMPLIANT
Service Factor	1.00
Shaft Diameter	0.625 IN

Part detail

Revision	T
Type	DC
Mech. spec.	35P328
Base	
Status	PRD/A
Elec. spec.	35WGZ396
Layout	35LYP328
Eff. date	08-21-2018
CD Diagram	CD0862B01
Poles	00
Leads	2#18 F,2#14 S,2#14 A,2#14 Y
Proprietary	False
Created date	01-01-0001

Shaft Extension Location	Pulley End
Shaft Ground Indicator	No Shaft Grounding
Shaft Rotation	Reversible
Shaft Slinger Indicator	Shaft Slinger

Nameplate

NP0111L			
CAT.NO.	D1154		
SPEC.	35P328Z396		
HP	1	ENCL	TEFC
RPM	1750		
FRAME	56	TYPE	3535D
ARM V	115	ARM A	8
FLD V	115	FLD A	.5
INSUL	F	AMB.	40
DUTY	CONT	SUPPLY	A
BRG/DE	6205	BRG/ODE	6203
BRUSHES	2/BP5000T07		
	--	BLANK	
SER.			
BLANK	IEEE 45		
APRV-CSA		APRV-UL	

DC Motor Performance Data

Record # 284

Typical performance - not guaranteed values

Winding: 35WGZ396-R001		Type: 3535D	Enclosure: TEFC
Nameplate Data		General Characteristics	
Rated Output (HP)	1	Armature Resistance @ 25°C	0.794 Ω
R.P.M.	1750	Commutating Winding Resistance @ 25°C	0.588 Ω
Armature Volts	115	Series Winding Resistance @ 25°C	1.836 Ω
Armature Amps	8	Shunt Winding Resistance @ 25°C	217 Ω
Field Volts	115	Armature Inductance	14.193 mH
Field Amps	0.5	Armature Inertia	13.68 LI ²
Rating - Duty	40C AMB-CONT		
Power Supply Code	K		
		Temp. Rise @ Rated Load	88°C

Load Characteristics at 115 Armature Volts, 115 Field Volts, 0.52 Field Amps

Load Point	1	2	3	4	5	6	7
Armature Amps	1.1	2.8	4.3	6.2	7.8	9.5	11.3
R.P.M.	1858	1797	1736	1682	1644	1596	1554
Torque (LB-FT)	0	0.75	1.5	2.25	3	3.75	4.5

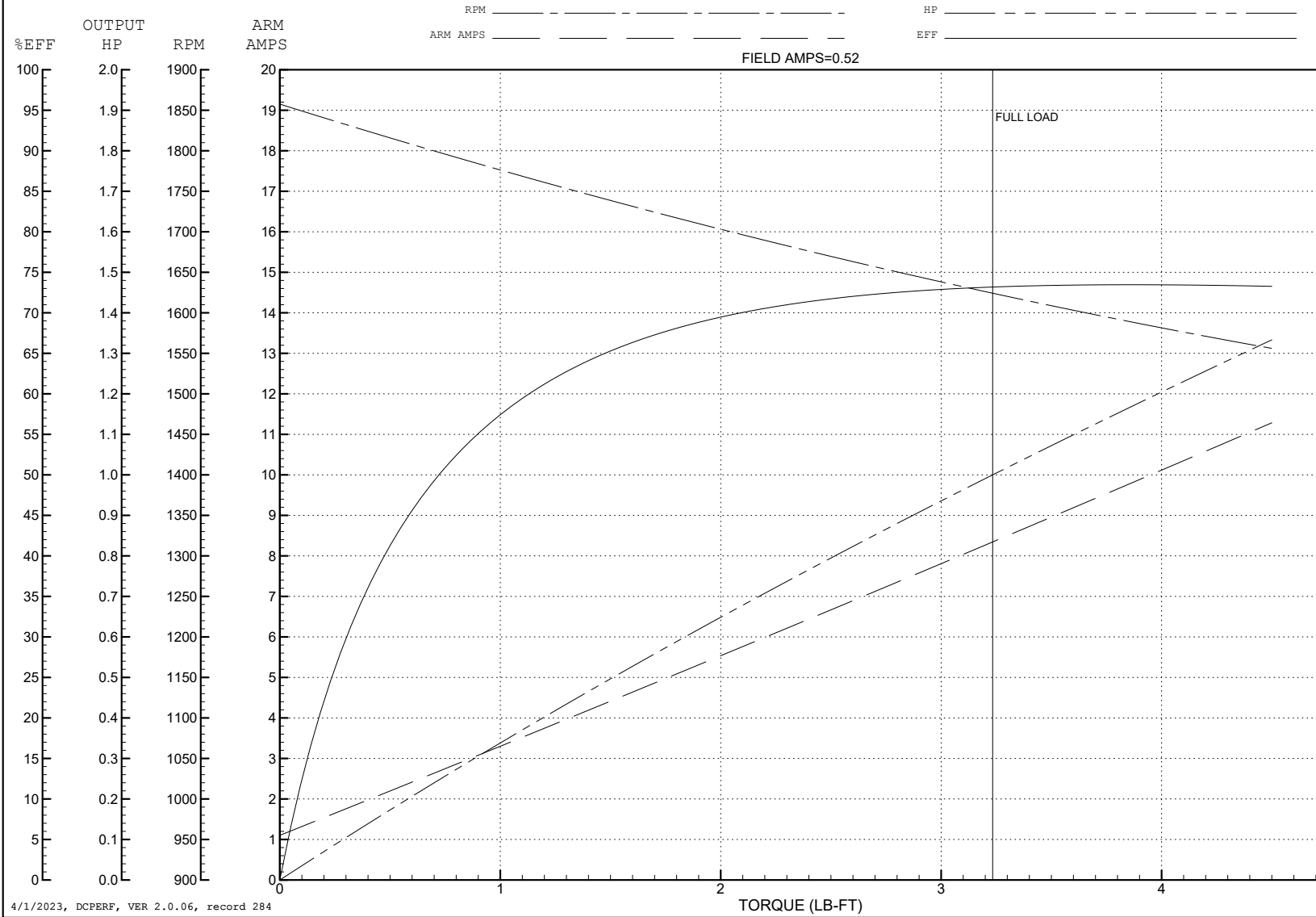
ABB Motors and Mechanical Inc.

WINDING # 35WGZ396

Typical performance - not guaranteed values.

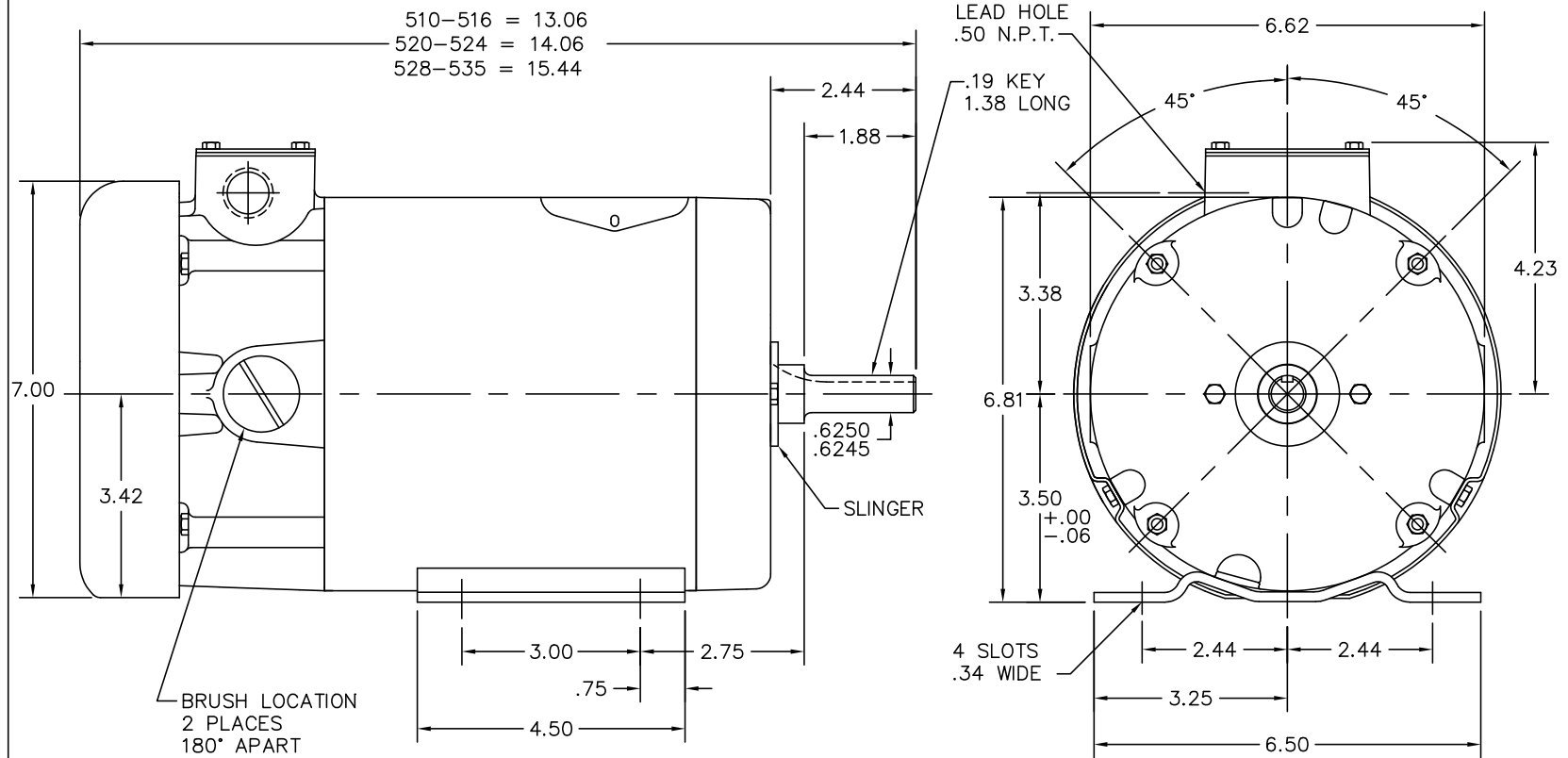
1 HP DC 1750 RPM 115 V ARM 115 V FLD 3535D

ENCL: TEFC DUTY: CONT CL: F



4/1/2023, DCPERF, VER 2.0.06, record 284

35P328

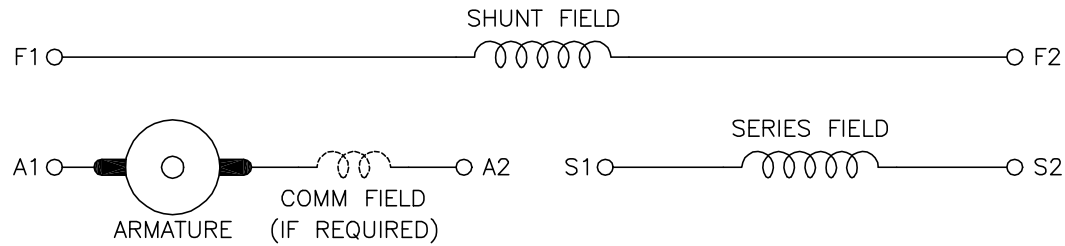


CUST. NAME		CUST. P.O.		CERTIFIED BY		MODEL		INSUL		AMB							
H.P.		MTG		TYPE		R.P.M.		VOLTS		ENCL		PHASE		FREQ		FRAME	
REMARKS:												BALDOR ELECTRIC Co.					
REV: F		LOADED TO ACAD															
35P328		SCALE: .4		BY: TDJ		REVISED: 02/01/96		STD HORZ 35DC NEMA 56 TEFC 2 POLE W/BOLT ON BASE & WP-14-II									
		FILE: AAA00023204		TDR: 0064842													

35P328

CD0862B01

COMPOUND WOUND



DIRECTION OF ROTATION			
CWDE		CCWDE	
POS TERM (+)	NEG TERM (-)	POS TERM (+)	NEG TERM (-)
A1	S2	A2	S2
F1	F2	F1	F2
CONNECT A2 & S1		CONNECT A1 & S1	

NOTES:

- LIMIT STARTING INRUSH CURRENT TO NOT MORE THAN 3 TIMES RATED AMPERES BY ENERGIZING THE FULL SHUNT FIELD BEFORE BRINGING THE ARMATURE VOLTAGE UP SLOWLY OR IN STEPS.
- OPTIONAL FIELD REOSTAT MAY BE CONNECTED IN SERIES WITH THE SHUNT FIELD.
- OPTIONAL THERMOSTAT LEADS ARE MARKED J,J.

REV. DESC: NEW, REPLACE CD0862			
REV. LTR: -	BY: JLP	REVISED: 16:10:51 11/03/2004	TDR: 347796
CD0862B01		FILE: AAA00121482	REF: CD0862B01
		MTL: -	

BALDOR ELECTRIC Co.

DC CONNECTION DIAGRAM, COMPOUND FIELD, 6 LEAD

CD0862B01