



---

# Customer information packet

## CXT3404T

40HP, 1775RPM, 3PH, 60HZ, 324TC, 1254M, TEFC, F

Class - CLI GP A,B,C,D

Division - Division II

## Specifications

|                                |   |
|--------------------------------|---|
| Enclosure                      | TEFC  |
| Frame                          | 324TC   |
| Frame Material                 | Iron  |
| Frequency                      | 60.00 Hz  |
| Haz Area Class and Group       | CLI GP A,B,C,D  |
| Haz Area Division              | Division II   |
| Motor Letter Type              | Three Phase   |
| Output @ Frequency             | 40.000 HP @ 60 HZ   |
| Phase                          | 3   |
| Synchronous Speed @ Frequency  | 1800 RPM @ 60 HZ  |
| Voltage @ Frequency            | 460.0 V @ 60 HZ<br>230.0 V @ 60 HZ                                    |
| Agency Approvals               | CCSA US<br>CCSAUSEEV<br>CSA EEV<br>NEMA PREMIUM<br>NEMA_PREMIUM<br>UR |
| Ambient Temperature            | 40 °C   |
| Auxillary Box                  | No Auxillary Box  |
| Auxillary Box Lead Termination | None  |
| Base Indicator                 | Rigid   |
| Bearing Grease Type            | Polyrex EM (-20F +300F)   |
| Blower                         | None  |
| Constant Torque Speed Range    | .8  |
| Current @ Voltage              | 48.000 A @ 460.0 V<br>96.000 A @ 230.0 V<br>102.000 A @ 208.0 V       |
| Design Code                    | A   |
| Drip Cover                     | No Drip Cover   |
| Duty Rating                    | CONT  |
| Efficiency @ 100% Load         | 94.1 %  |

## Part detail

|              |            |
|--------------|------------|
| Revision     | F          |
| Type         | AC         |
| Mech. spec.  |            |
| Base         |            |
| Status       | PRD/A      |
| Elec. spec.  | 12WGY276   |
| Layout       | 12LYC052   |
| Eff. date    | 06-28-2024 |
| CD Diagram   | CD0180     |
| Poles        | 04         |
| Leads        | 9#8        |
| Proprietary  | False      |
| Created date | 08-03-2020 |

| Electrically Isolated Bearing | Not Electrically Isolated |
|-------------------------------|---------------------------|
| Feedback Device               | NO FEEDBACK               |
| Haz Area Temp Code            | T3                        |
| Heater Indicator              | No Heater                 |
| High Voltage Full Load Amps   | 48.0 a                    |
| Insulation Class              | F                         |
| Inverter Code                 | Inverter Duty             |
| IP Rating                     | NONE                      |
| KVA Code                      | H                         |
| Lifting Lugs                  | Standard Lifting Lugs     |
| Locked Bearing Indicator      | Locked Bearing            |
| Max Speed                     | 2700 rpm                  |
| Motor Lead Termination        | Flying Leads              |
| Motor Standards               | NEMA                      |
| Motor Type                    | 1254M                     |
| Mounting Arrangement          | F1                        |
| Number of Poles               | 4                         |
| Overall Length                | 30.34 IN                  |
| Power Factor                  | 82                        |
| Product Family                | General Purpose           |
| Pulley Face Code              | C-Face                    |
| Rodent Screen                 | None                      |
| Service Factor                | 1.15                      |
| Shaft Diameter                | 2.125 IN                  |
| Shaft Ground Indicator        | No Shaft Grounding        |
| Shaft Rotation                | Reversible                |
| Speed                         | 1775 rpm                  |
| Speed Code                    | Single Speed              |
| Starting Method               | Direct on line            |
| Thermal Device - Bearing      | None                      |
| Thermal Device - Winding      | None                      |
| Vibration Sensor Indicator    | No Vibration Sensor       |
| Winding Thermal 1             | None                      |
| Winding Thermal 2             | None                      |

**Nameplate**

| <b>NP4163L</b>               |            |            |               |              |    |                |      |  |  |  |
|------------------------------|------------|------------|---------------|--------------|----|----------------|------|--|--|--|
| <b>CAT.NO.</b>               | CXT3404T   |            |               |              |    | <b>I.P.</b>    | 54   |  |  |  |
| <b>SPEC.</b>                 | 12-0001434 |            |               |              |    | <b>ENCL</b>    | TEFC |  |  |  |
| <b>FRAME</b>                 | 324TC      |            | <b>H.P.</b>   | 40           |    |                |      |  |  |  |
| <b>VOLTS</b>                 | 230/460    |            | <b>P.F.</b>   | 82           |    |                |      |  |  |  |
| <b>F.L. AMPS</b>             | 96/48      |            | <b>RATING</b> | 40C AMB-CONT |    |                |      |  |  |  |
| <b>R.P.M.</b>                | 1775       |            |               |              |    |                |      |  |  |  |
| <b>HZ.</b>                   | 60         |            | <b>PH.</b>    | 3            |    | <b>CLASS</b>   | F    |  |  |  |
| <b>SER.F.</b>                | 1.15       |            | <b>DES.</b>   | A            |    | <b>SL HZ</b>   | 0.85 |  |  |  |
| <b>NEMA NOM. EFF.</b>        | 94.1       |            | <b>WK2</b>    | 7.19         |    |                |      |  |  |  |
| <b>DE</b>                    | 6312       |            | <b>ODE</b>    | 6311         |    |                |      |  |  |  |
| <b>MAG. CUR.</b>             | 39/19.5    |            |               |              |    |                |      |  |  |  |
| <b>INV TYPE</b>              | PWM        | <b>CHP</b> | 60            | <b>TO</b>    | 90 | <b>T. CODE</b> | T3   |  |  |  |
| <b>CT</b>                    | .8         | <b>TO</b>  | 60            | <b>VT</b>    | O  | <b>TO</b>      | 60   |  |  |  |
| <b>CC</b>                    | 010A       |            | <b>SN</b>     |              |    |                |      |  |  |  |
| USABLE AT 50HZ 30HP 190/380V |            |            |               |              |    |                |      |  |  |  |
| 88/44A SF1.0                 |            |            |               |              |    |                |      |  |  |  |

**AC Induction Motor Performance Data**

Record # 51423

Typical performance - not guaranteed values

| <b>Winding: 12WGY276-R027</b> |                          | <b>Type: 1254M</b>         |  | <b>Enclosure: TEFC</b>  |  |
|-------------------------------|--------------------------|----------------------------|--|-------------------------|--|
| <b>Nameplate Data</b>         |                          |                            | <b>460 V, 60 Hz:<br/>High Voltage Connection</b> |                         |  |
| <b>Rated Output (HP)</b>      | 40                       | <b>Full Load Torque</b>    | 118 LB-FT  |                         |  |
| <b>Volts</b>                  | 230/460                  | <b>Start Configuration</b> | direct on line                                   |                         |  |
| <b>Full Load Amps</b>         | 96/48                    | <b>Breakdown Torque</b>    | 386 LB-FT  |                         |  |
| <b>R.P.M.</b>                 | 1775                     | <b>Pull-up Torque</b>      | 193 LB-FT  |                         |  |
| <b>Hz</b>                     | 60 <b>Phase</b>          | 3                          | <b>Locked-rotor Torque</b>                       | 216 LB-FT               |  |
| <b>NEMA Design Code</b>       | <b>A KVA Code</b>        | H                          | <b>Starting Current</b>                          | 338 A                   |  |
| <b>Service Factor (S.F.)</b>  |                          | 1                          | <b>No-load Current</b>                           | 19.9 A                  |  |
| <b>NEMA Nom. Eff.</b>         | 94.1 <b>Power Factor</b> | 82                         | <b>Line-line Res. @ 25°C</b>                     | 0.14898 Ω               |  |
| <b>Rating - Duty</b>          | 40C AMB-CONT             |                            | <b>Temp. Rise @ Rated Load</b>                   | 54°C                    |  |
|                               |                          |                            | <b>Locked-rotor Power Factor</b>                 | 27                      |  |
|                               |                          |                            | <b>Rotor inertia</b>                             | 7.19 LB-FT <sup>2</sup> |  |

**Load Characteristics 460 V, 60 Hz, 40 HP**

| <b>% of Rated Load</b> | <b>25</b> | <b>50</b> | <b>75</b> | <b>100</b> | <b>125</b> | <b>150</b> |
|------------------------|-----------|-----------|-----------|------------|------------|------------|
| <b>Power Factor</b>    | 47        | 69        | 78        | 83         | 85         | 85         |
| <b>Efficiency</b>      | 90.1      | 93.5      | 94.2      | 94.2       | 93.8       | 93.1       |
| <b>Speed</b>           | 1793.5    | 1788      | 1782.5    | 1776.6     | 1770.7     | 1764.1     |
| <b>Line amperes</b>    | 22.9      | 29.5      | 38.4      | 48.1       | 59.2       | 70.8       |

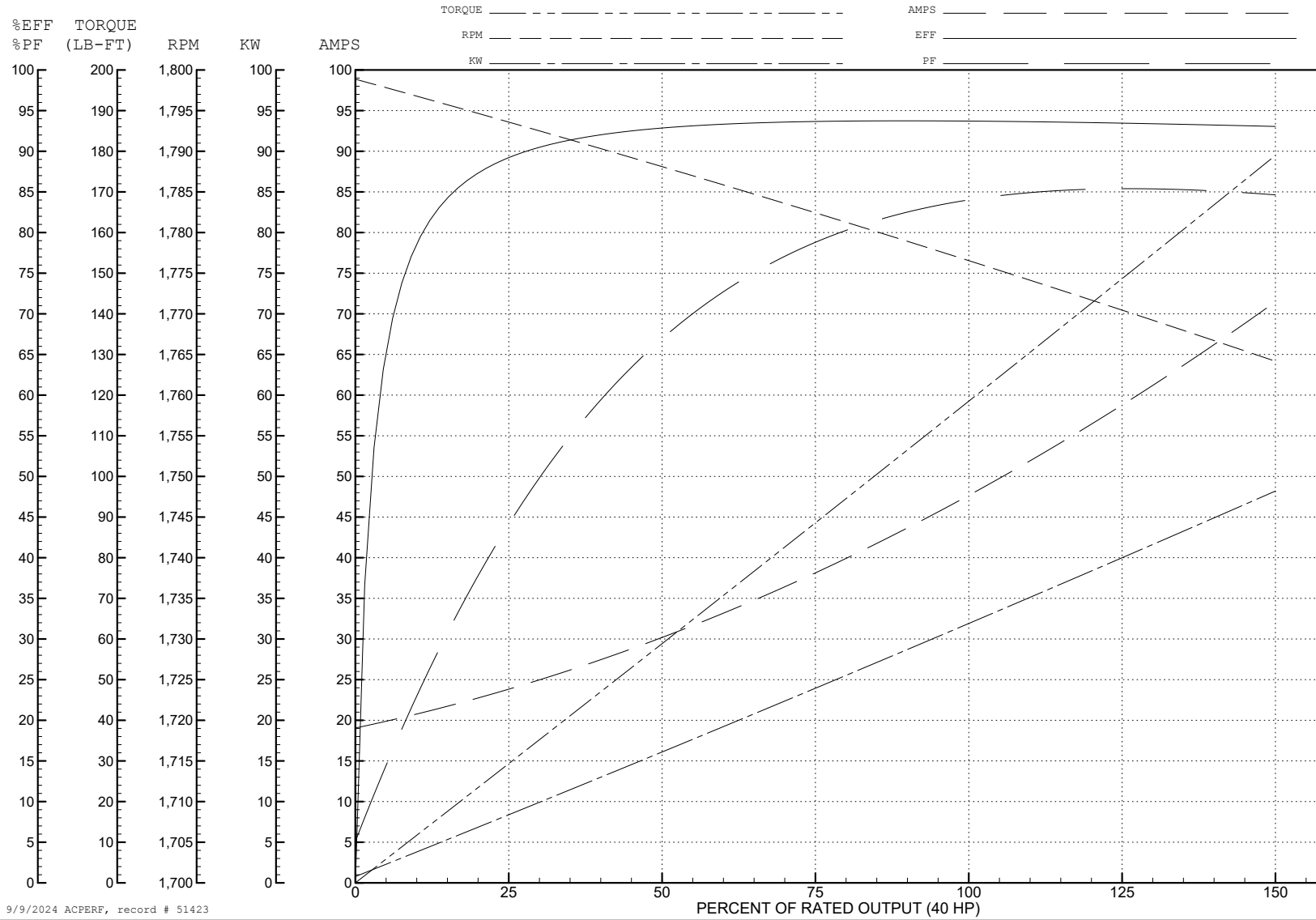
ABB Motors and Mechanical Inc.

WINDING # 12WGY276

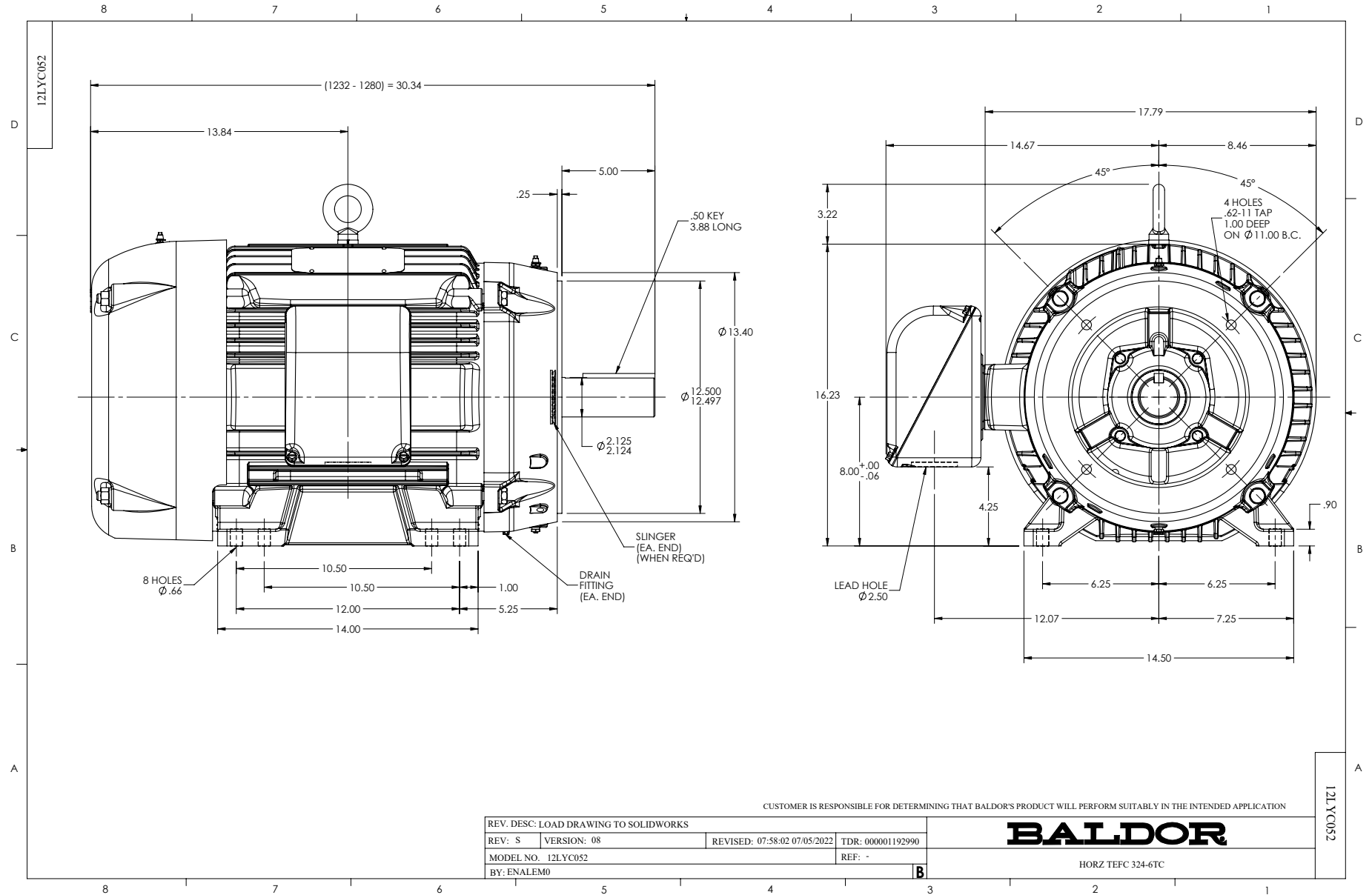
Typical performance - not guaranteed values.

40 HP 3 PH 60 HZ 1775 RPM 460 V 1254M

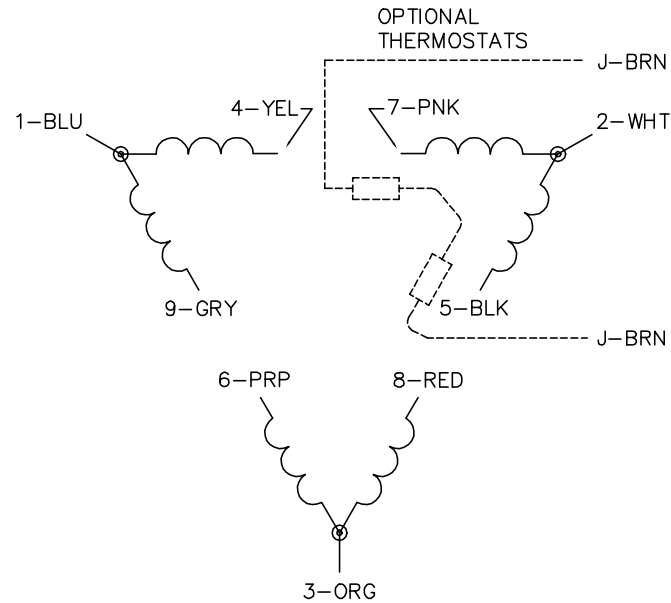
TORQUES (LB-FT): PO=386 PU=193 LR=216 LRA=338



9/9/2024 ACPERF, record # 51423



CD0180



LOW VOLTAGE  
(2D)



HIGH VOLTAGE  
(1D)



NOTES:

1. INTERCHANGE ANY TWO LINE LEADS TO REVERSE ROTATION.
2. OPTIONAL THERMOSTATS ARE PROVIDED WHEN SPECIFIED.
3. ACTUAL NUMBER OF INTERNAL PARALLEL CIRCUITS MAY BE A MULTIPLE OF THOSE SHOWN ABOVE.
4. LEAD COLORS ARE OPTIONAL. LEADS MUST ALWAYS BE NUMBERED AS SHOWN.

CD0180

|                                   |                                |                   |
|-----------------------------------|--------------------------------|-------------------|
| REV. DESC: ADD CLASS CONN00000007 |                                |                   |
| REV. LTR: D                       | VERSION: 01                    | TDR: 000001099922 |
| FILE: \AAA\00005\148              | REVISED: 10: 25: 29 02/19/2019 | BY: ENBRIRO       |
| MTL: -                            | © □                            |                   |

**BALDOR - RELIANCE®**

3PH, DV, 9 LEADS, DELTA CONNECTION

SH 1 of 1