

**BALDOR® • RELIANCE™**

---

# Customer information packet

## CXT3402TS

40HP, 3540RPM, 3PH, 60HZ, 324TSC, 1240M, TEFC

Class - CLI GP A,B,C,D

Division - Division II

Copyright © All product information within this document is subject to ABB Motors and Mechanical Inc. copyright © protection, unless otherwise noted.

4/1/2023 3:38:07 AM

## Specifications

Enclosure	TEFC
Frame	324TSC
Frame Material	Iron
Frequency	60.00 Hz
Motor Letter Type	Three Phase
Output @ Frequency	40.000 HP @ 60 HZ
Phase	3
Synchronous Speed @ Frequency	3600 RPM @ 60 HZ
Voltage @ Frequency	230.0 V @ 60 HZ 460.0 V @ 60 HZ
XP Class and Group	CL I GP A,B,C,D
XP Division	Division II
Agency Approvals	CCSA US UR NEMA PREMIUM CSA EEV
Ambient Temperature	40 °C
Auxillary Box	No Auxillary Box
Auxillary Box Lead Termination	None
Base Indicator	Rigid
Bearing Grease Type	Polyrex EM (-20F +300F)
Blower	None
Constant Torque Speed Range	6
Current @ Voltage	45.000 A @ 460.0 V 48.700 A @ 208.0 V 90.000 A @ 230.0 V
Design Code	A
Drip Cover	No Drip Cover
Duty Rating	CONT
Efficiency @ 100% Load	93.0 %
Electrically Isolated Bearing	Not Electrically Isolated
Feedback Device	NO FEEDBACK

## Part detail

Revision	B
Type	AC
Mech. spec.	
Base	
Status	PRD/A
Elec. spec.	12WGX906
Layout	12LYF981
Eff. date	11-07-2022
CD Diagram	CD0180
Poles	02
Leads	9#8
Proprietary	False
Created date	12-14-2020

Heater Indicator	No Heater
High Voltage Full Load Amps	45.0 a
Insulation Class	F
Inverter Code	Inverter Duty
IP Rating	NONE
KVA Code	H
Lifting Lugs	Standard Lifting Lugs
Locked Bearing Indicator	Locked Bearing
Motor Lead Termination	Flying Leads
Motor Standards	NEMA
Motor Type	1240M
Mounting Arrangement	F1
Number of Poles	2
Overall Length	28.78 IN
Power Factor	90
Product Family	General Purpose
Pulley Face Code	C-Face
Rodent Screen	None
Service Factor	1.15
Shaft Diameter	1.875 IN
Shaft Ground Indicator	No Shaft Grounding
Shaft Rotation	Reversible
Speed	3540 rpm
Speed Code	Single Speed
Starting Method	Direct on line
Thermal Device - Bearing	None
Thermal Device - Winding	None
Vibration Sensor Indicator	No Vibration Sensor
Winding Thermal 1	None
Winding Thermal 2	None
XP Temp Code	T3

**Nameplate**

<b>NP4163L</b>										
<b>CAT.NO.</b>	CXT3402TS					<b>I.P.</b>	54			
<b>SPEC.</b>	12-0000-1898					<b>ENCL</b>	TEFC			
<b>FRAME</b>	324TSC		<b>H.P.</b>	40						
<b>VOLTS</b>	230/460		<b>P.F.</b>	90						
<b>F.L. AMPS</b>	90/45		<b>RATING</b>	40C AMB-CONT						
<b>R.P.M.</b>	3540		<b>USABLE AT 208V</b>	48.7						
<b>HZ.</b>	60		<b>PH.</b>	3		<b>CLASS</b>	F			
<b>SER.F.</b>	1.15		<b>DES.</b>	A		<b>SL HZ</b>	1			
<b>NEMA NOM. EFF.</b>	93		<b>WK2</b>	3.13						
<b>DE</b>	6312		<b>ODE</b>	6311						
<b>MAG. CUR.</b>	28/14									
<b>INV TYPE</b>	PWM	<b>CHP</b>	60	<b>TO</b>	90	<b>T. CODE</b>	T3			
<b>CT</b>	6	<b>TO</b>	60	<b>VT</b>	6	<b>TO</b>	60			
<b>CC</b>	010A		<b>SN</b>							
USABLE AT 50 HZ 30HP 190/380V										
83/41.5A										

**AC Induction Motor Performance Data**

Record # 47236

Typical performance - not guaranteed values

<b>Winding: 12WGX906-R011</b>		<b>Type: 1240M</b>		<b>Enclosure: TEFC</b>	
<b>Nameplate Data</b>			<b>460 V, 60 Hz: High Voltage Connection</b>		
<b>Rated Output (HP)</b>	40	<b>Full Load Torque</b>	59.5 LB-FT		
<b>Volts</b>	230/460	<b>Start Configuration</b>	direct on line		
<b>Full Load Amps</b>	90/45	<b>Breakdown Torque</b>	236 LB-FT		
<b>R.P.M.</b>	3540	<b>Pull-up Torque</b>	62.9 LB-FT		
<b>Hz</b>	60 <b>Phase</b>	3	<b>Locked-rotor Torque</b>	80.2 LB-FT	
<b>NEMA Design Code</b>	A <b>KVA Code</b>	H	<b>Starting Current</b>	326 A	
<b>Service Factor (S.F.)</b>	1.15		<b>No-load Current</b>	13.6 A	
<b>NEMA Nom. Eff.</b>	93 <b>Power Factor</b>	90	<b>Line-line Res. @ 25°C</b>	0.148 Ω	
<b>Rating - Duty</b>	40C AMB-CONT		<b>Temp. Rise @ Rated Load</b>	81°C	
<b>S.F. Amps</b>			<b>Temp. Rise @ S.F. Load</b>	96°C	
			<b>Locked-rotor Power Factor</b>	21.5	
			<b>Rotor inertia</b>	3.13 LB-FT <sup>2</sup>	

**Load Characteristics 460 V, 60 Hz, 40 HP**

<b>% of Rated Load</b>	<b>25</b>	<b>50</b>	<b>75</b>	<b>100</b>	<b>125</b>	<b>150</b>	<b>S.F.</b>
<b>Power Factor</b>	61	80	87	90	90	90	90
<b>Efficiency</b>	87.7	92.3	93.4	93.5	93.2	92.6	93.3
<b>Speed</b>	3587	3573	3560	3547	3533	3515	3539
<b>Line amperes</b>	17.7	25.7	35	44.9	55.7	67.7	51.4

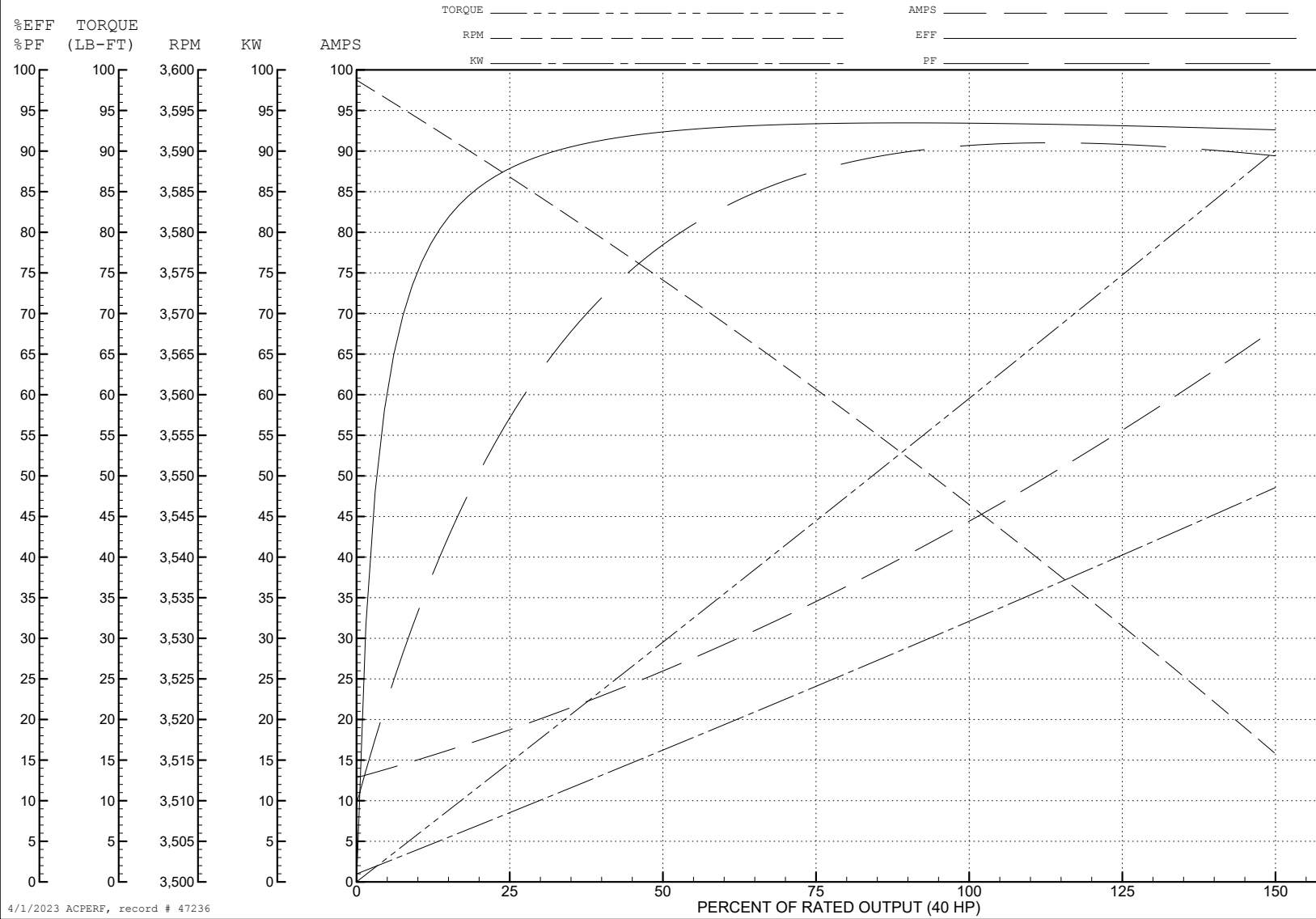
ABB Motors and Mechanical Inc.

WINDING # 12WGX906

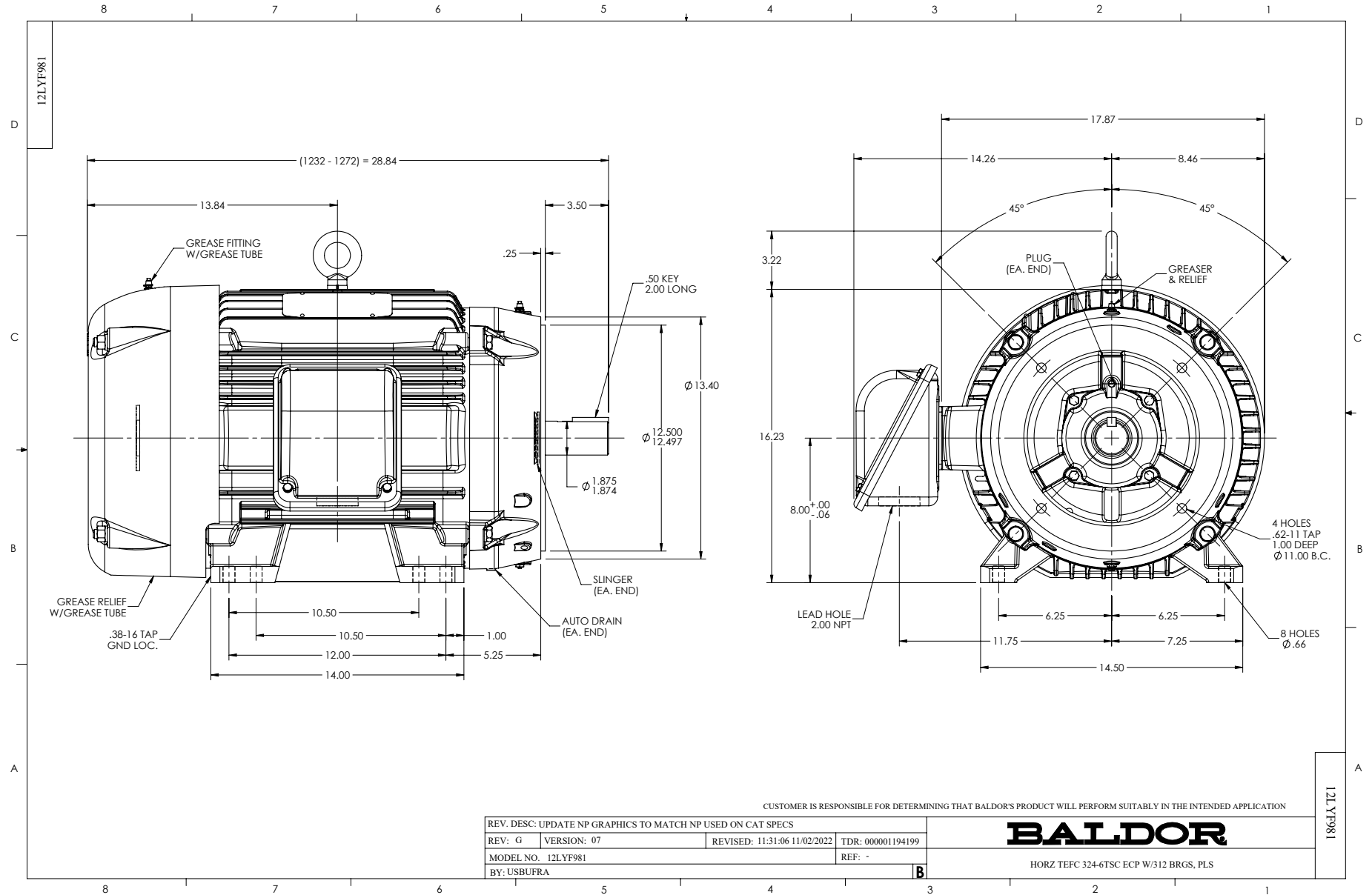
Typical performance - not guaranteed values.

40 HP 3 PH 60 HZ 3540 RPM 460 V 1240M

TORQUES (LB-FT): PO=236 PU=62.9 LR=80.2 LRA=326



4/1/2023 ACPERF, record # 47236



CD0180



LOW VOLTAGE  
(2D)



HIGH VOLTAGE  
(1D)



NOTES:

1. INTERCHANGE ANY TWO LINE LEADS TO REVERSE ROTATION.
2. OPTIONAL THERMOSTATS ARE PROVIDED WHEN SPECIFIED.
3. ACTUAL NUMBER OF INTERNAL PARALLEL CIRCUITS MAY BE A MULTIPLE OF THOSE SHOWN ABOVE.
4. LEAD COLORS ARE OPTIONAL. LEADS MUST ALWAYS BE NUMBERED AS SHOWN.

CD0180

REV. DESC: ADD CLASS CONN00000007		
REV. LTR: D	VERSION: 01	TDR: 000001099922
FILE: \AAA\00005\148	REVISED: 10: 25: 29 02/19/2019	BY: ENBRIRO
MTL: -	© □	

**BALDOR - RELIANCE®**

3PH, DV, 9 LEADS, DELTA CONNECTION

SH 1 of 1