

BALDOR • RELIANCE

Customer information packet

CXT3252TS

25HP, 3520RPM, 3PH, 60HZ, 284TSC, 1048M, TEFC

Class - CLI GP A,B,C,D

Division - Division II

Specifications

Enclosure	TEFC
Frame	284TSC
Frame Material	Iron
Frequency	60.00 Hz
Haz Area Class and Group	CL I GP A,B,C,D
Haz Area Division	Division II
Motor Letter Type	Three Phase
Output @ Frequency	25.000 HP @ 60 HZ
Phase	3
Synchronous Speed @ Frequency	3600 RPM @ 60 HZ
Voltage @ Frequency	460.0 V @ 60 HZ 230.0 V @ 60 HZ
Agency Approvals	CCSA US CSA EEV NEMA PREMIUM NEMA_PREMIUM UR
Ambient Temperature	40 °C
Auxillary Box	No Auxillary Box
Auxillary Box Lead Termination	None
Base Indicator	Rigid
Bearing Grease Type	Polyrex EM (-20F +300F)
Blower	None
Constant Torque Speed Range	6
Current @ Voltage	62.000 A @ 208.0 V 56.000 A @ 230.0 V 28.000 A @ 460.0 V
Design Code	B
Drip Cover	No Drip Cover
Duty Rating	CONT
Efficiency @ 100% Load	91.7 %
Electrically Isolated Bearing	Not Electrically Isolated

Part detail

Revision	E
Type	AC
Mech. spec.	
Base	
Status	PRD/A
Elec. spec.	10WGZ273
Layout	10LY-001-183
Eff. date	06-28-2024
CD Diagram	CD0180
Poles	02
Leads	9#10
Proprietary	False
Created date	12-02-2020

Feedback Device	NO FEEDBACK
Haz Area Temp Code	T3
Heater Indicator	No Heater
High Voltage Full Load Amps	28.0 a
Insulation Class	F
Inverter Code	Inverter Duty
IP Rating	NONE
KVA Code	F
Lifting Lugs	Standard Lifting Lugs
Locked Bearing Indicator	Locked Bearing
Motor Lead Termination	Flying Leads
Motor Standards	NEMA
Motor Type	1048M
Mounting Arrangement	F1
Number of Poles	2
Overall Length	26.32 IN
Power Factor	90
Product Family	General Purpose
Pulley Face Code	C-Face
Rodent Screen	None
Service Factor	1.15
Shaft Diameter	1.625 IN
Shaft Ground Indicator	No Shaft Grounding
Shaft Rotation	Reversible
Speed	3520 rpm
Speed Code	Single Speed
Starting Method	Direct on line
Thermal Device - Bearing	None
Thermal Device - Winding	None
Vibration Sensor Indicator	No Vibration Sensor
Winding Thermal 1	None
Winding Thermal 2	None

Nameplate

NP4163L										
CAT.NO.	CXT3252TS					I.P.	54			
SPEC.	10-0000-1848					ENCL	TEFC			
FRAME	284TSC		H.P.	25						
VOLTS	230/460		P.F.	90						
F.L. AMPS	56/28		RATING	40C AMB-CONT						
R.P.M.	3520									
HZ.	60		PH.	3		CLASS	F			
SER.F.	1.15		DES.	B		SL HZ	1.3			
NEMA NOM. EFF.	91.7		WK2	2.07						
DE	6311		ODE	6309						
MAG. CUR.	14/7									
INV TYPE	PWM	CHP	60	TO	90	T. CODE	T3			
CT	6	TO	60	VT	6	TO	60			
CC	010A		SN							
USABLE AT 50 HZ 20HP 190/380V										
56/28A										

AC Induction Motor Performance Data

Record # 56867

Typical performance - not guaranteed values

Winding: 10WGZ273-R003		Type: 1048M		Enclosure: TEFC	
Nameplate Data			460 V, 60 Hz: Single Voltage Motor		
Rated Output (HP)	25	Full Load Torque	37.3 LB-FT		
Volts	230/460	Start Configuration	direct on line		
Full Load Amps	56/28	Breakdown Torque	103 LB-FT		
R.P.M.	3520	Pull-up Torque	42.1 LB-FT		
Hz	60 Phase	3	Locked-rotor Torque	54 LB-FT	
NEMA Design Code	B KVA Code	F	Starting Current	171 A	
Service Factor (S.F.)		1	No-load Current	6.99 A	
NEMA Nom. Eff.	91.7 Power Factor	90	Line-line Res. @ 25°C	0.29072 Ω	
Rating - Duty	40C AMB-CONT		Temp. Rise @ Rated Load	57°C	
			Locked-rotor Power Factor	23.3	
			Rotor inertia	2.06 LB-FT ²	

Load Characteristics 460 V, 60 Hz, 25 HP

% of Rated Load	25	50	75	100	125	150
Power Factor	69	83	89	90	90	90
Efficiency	87.8	91.6	92.2	91.8	90.9	89.7
Speed	3580.1	3563.2	3542.7	3521.3	3497	3469.9
Line amperes	10.1	15.4	21.7	28.3	35.7	43.5

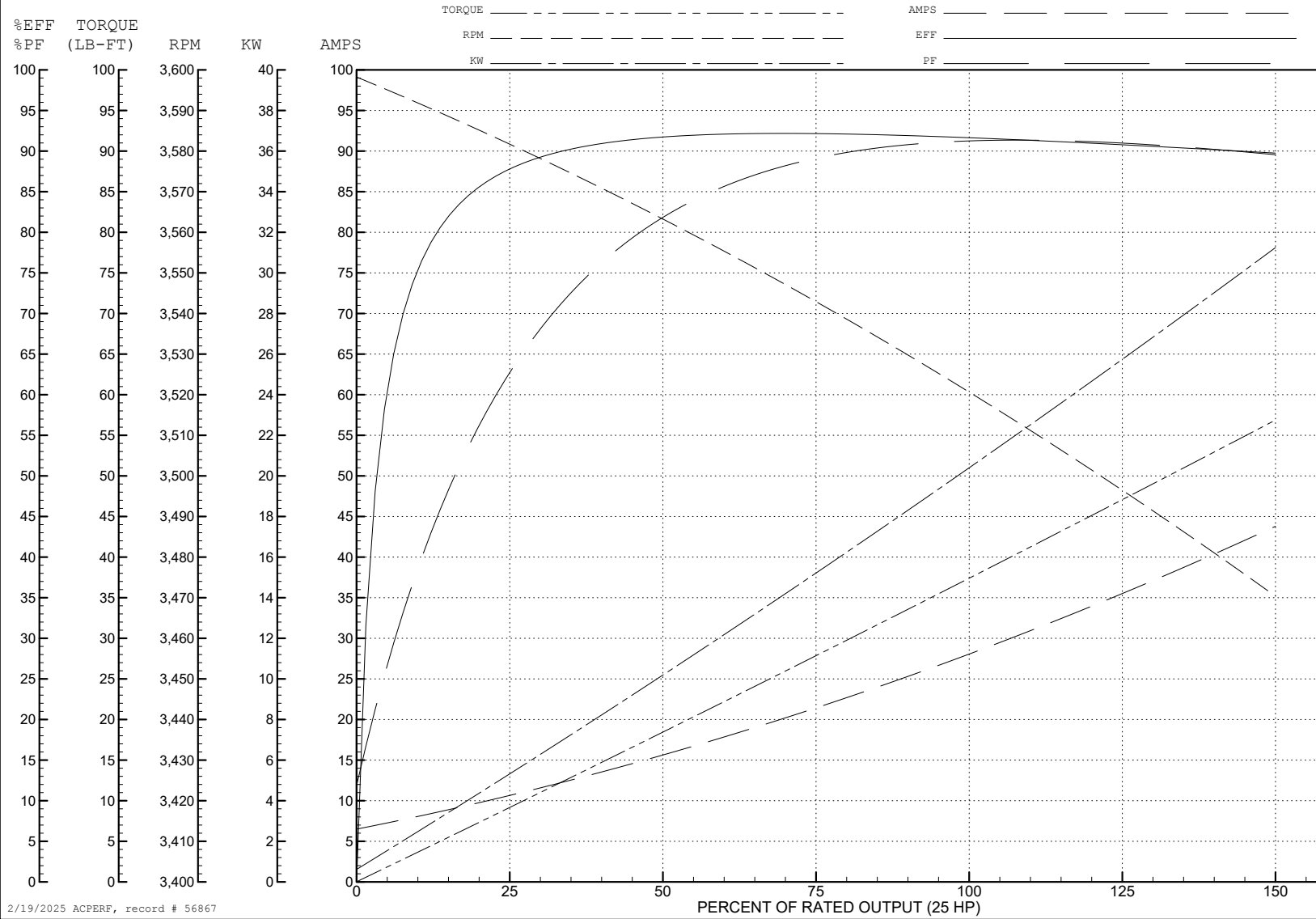
ABB Motors and Mechanical Inc.

WINDING # 10WGZ273

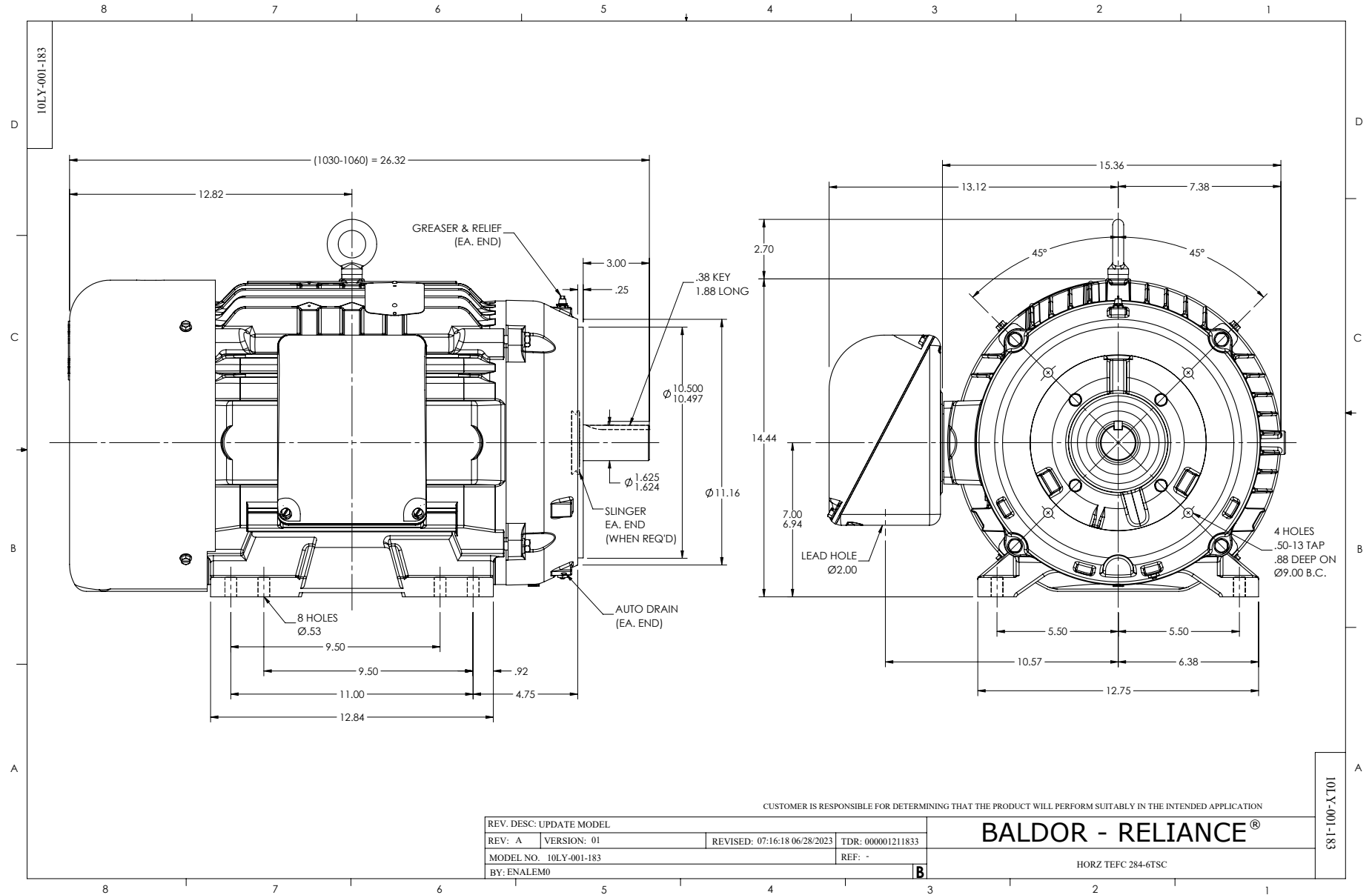
Typical performance - not guaranteed values.

25 HP 3 PH 60 HZ 3520 RPM 460 V 1048M

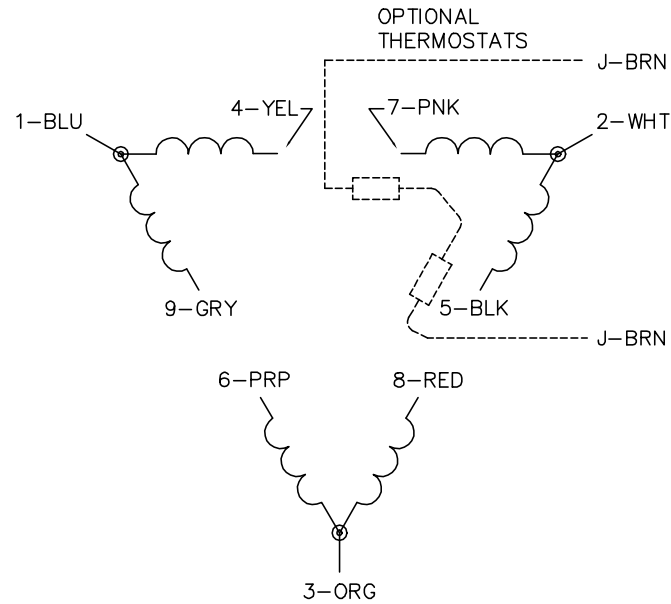
TORQUES (LB-FT): PO=103 PU=42.1 LR=54 LRA=171



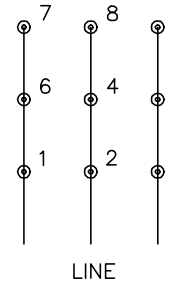
2/19/2025 ACPERF, record # 56867



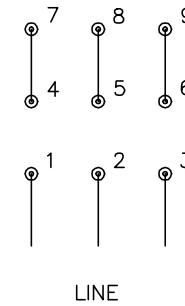
CD0180



LOW VOLTAGE
(2D)



HIGH VOLTAGE
(1D)



NOTES:

1. INTERCHANGE ANY TWO LINE LEADS TO REVERSE ROTATION.
2. OPTIONAL THERMOSTATS ARE PROVIDED WHEN SPECIFIED.
3. ACTUAL NUMBER OF INTERNAL PARALLEL CIRCUITS MAY BE A MULTIPLE OF THOSE SHOWN ABOVE.
4. LEAD COLORS ARE OPTIONAL. LEADS MUST ALWAYS BE NUMBERED AS SHOWN.

CD0180

REV. DESC: ADD CLASS CONN00000007		
REV. LTR: D	VERSION: 01	TDR: 000001099922
FILE: \AAA\00005\148	REVISED: 10: 25: 29 02/19/2019	BY: ENBRIRO
MTL: -	© □	

BALDOR - RELIANCE®

3PH, DV, 9 LEADS, DELTA CONNECTION

SH 1 of 1