



Customer information packet

CXT3204T

20HP, 1770RPM, 3PH, 60HZ, 256TC, 0960M, TEFC, F

Class - CLI GP A,B,C,D

Division - Division II

Specifications

Enclosure	TEFC
Frame	256TC
Frame Material	Iron
Frequency	60.00 Hz
Haz Area Class and Group	CLI GP A,B,C,D
Haz Area Division	Division II
Motor Letter Type	Three Phase
Output @ Frequency	20.000 HP @ 60 HZ
Phase	3
Synchronous Speed @ Frequency	1800 RPM @ 60 HZ
Voltage @ Frequency	460.0 V @ 60 HZ 230.0 V @ 60 HZ
Agency Approvals	CCSA US CSA EEV NEMA PREMIUM NEMA_PREMIUM UR
Ambient Temperature	40 °C
Auxillary Box	No Auxillary Box
Auxillary Box Lead Termination	None
Base Indicator	Rigid
Bearing Grease Type	Polyrex EM (-20F +300F)
Blower	None
Constant Torque Speed Range	3
Current @ Voltage	52.000 A @ 208.0 V 48.000 A @ 230.0 V 24.000 A @ 460.0 V
Design Code	A
Drip Cover	No Drip Cover
Duty Rating	CONT
Efficiency @ 100% Load	93.0 %
Electrically Isolated Bearing	Not Electrically Isolated

Part detail

Revision	G
Type	AC
Mech. spec.	
Base	
Status	PRD/A
Elec. spec.	09WGT459
Layout	09LY-001-012
Eff. date	06-28-2024
CD Diagram	CD0180
Poles	04
Leads	9#10
Proprietary	False
Created date	12-04-2020

Feedback Device	NO FEEDBACK
Haz Area Temp Code	T3A
Heater Indicator	No Heater
High Voltage Full Load Amps	24.0 a
Insulation Class	F
Inverter Code	Inverter Duty
IP Rating	NONE
KVA Code	J
Lifting Lugs	Standard Lifting Lugs
Locked Bearing Indicator	Locked Bearing
Motor Lead Termination	Flying Leads
Motor Standards	NEMA
Motor Type	0960M
Mounting Arrangement	F1
Number of Poles	4
Overall Length	23.86 IN
Power Factor	83
Product Family	General Purpose
Pulley Face Code	C-Face
Rodent Screen	None
Service Factor	1.15
Shaft Diameter	1.625 IN
Shaft Ground Indicator	No Shaft Grounding
Shaft Rotation	Reversible
Speed	1770 rpm
Speed Code	Single Speed
Starting Method	Direct on line
Thermal Device - Bearing	None
Thermal Device - Winding	None
Vibration Sensor Indicator	No Vibration Sensor
Winding Thermal 1	None
Winding Thermal 2	None

Nameplate

NP4163L										
CAT.NO.	CXT3204T					I.P.	54			
SPEC.	09-0000-2769					ENCL	TEFC			
FRAME	256TC		H.P.	20						
VOLTS	230/460		P.F.	83						
F.L. AMPS	48/24		RATING	40C AMB-CONT						
R.P.M.	1770									
HZ.	60		PH.	3		CLASS	F			
SER.F.	1.15		DES.	A		SL HZ	1			
NEMA NOM. EFF.	93		WK2	2.62						
DE	6309		ODE	6208						
MAG. CUR.	20.8/10.4									
INV TYPE	PWM	CHP	60		TO	90		T. CODE	T3A	
CT	3	TO	60		VT	3		TO	60	
CC	010A		SN							
USABLE AT 50 HZ 15HP 190/380V										
44/22A										

AC Induction Motor Performance Data

Record # 67965

Typical performance - not guaranteed values

Winding: 09WGT459-R003		Type: 0960M		Enclosure: TEFC	
Nameplate Data			460 V, 60 Hz: High Voltage Connection		
Rated Output (HP)	20	Full Load Torque	59.27 LB-FT		
Volts	230/460	Start Configuration	direct on line		
Full Load Amps	48/24	Breakdown Torque	232 LB-FT		
R.P.M.	1770	Pull-up Torque	126 LB-FT		
Hz	60	Phase	3	Locked-rotor Torque	141 LB-FT
NEMA Design Code	A	KVA Code	J	Starting Current	198 A
Service Factor (S.F.)	1	No-load Current	10.4 A		
NEMA Nom. Eff.	93	Power Factor	83	Line-line Res. @ 25°C	0.33814 Ω
Rating - Duty	40C AMB-CONT		Temp. Rise @ Rated Load	58°C	
			Locked-rotor Power Factor	26.5	

Load Characteristics 460 V, 60 Hz, 20 HP

% of Rated Load	25	50	75	100	125	150
Power Factor	45	67	78	83	86	87
Efficiency	89.2	93	93.7	93	93.1	92.4
Speed	1793.2	1786.4	1779.1	1771.9	1763.7	1755.3
Line amperes	11.8	15	19.2	24	29.3	34.9

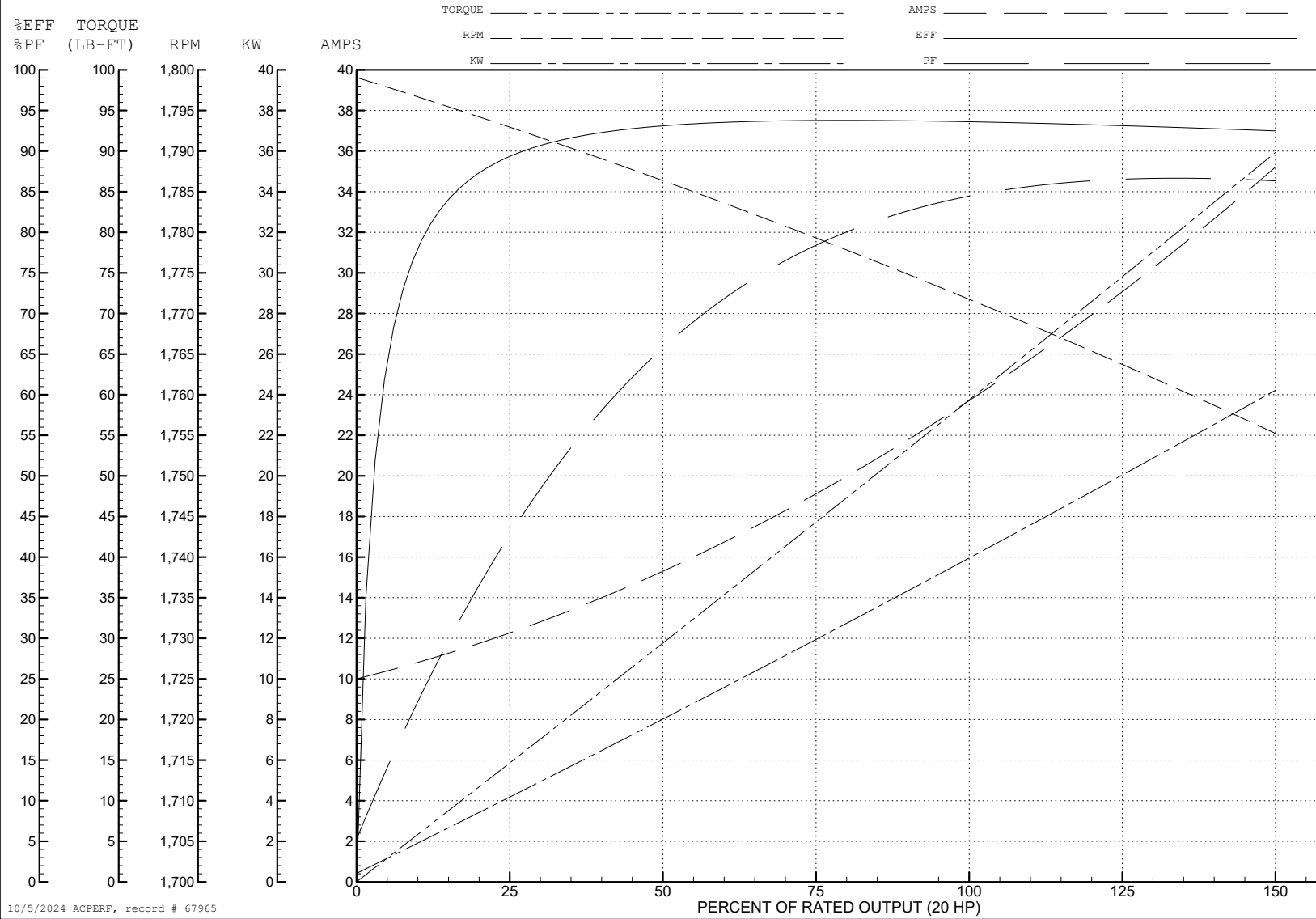
ABB Motors and Mechanical Inc.

WINDING # 09WGT459

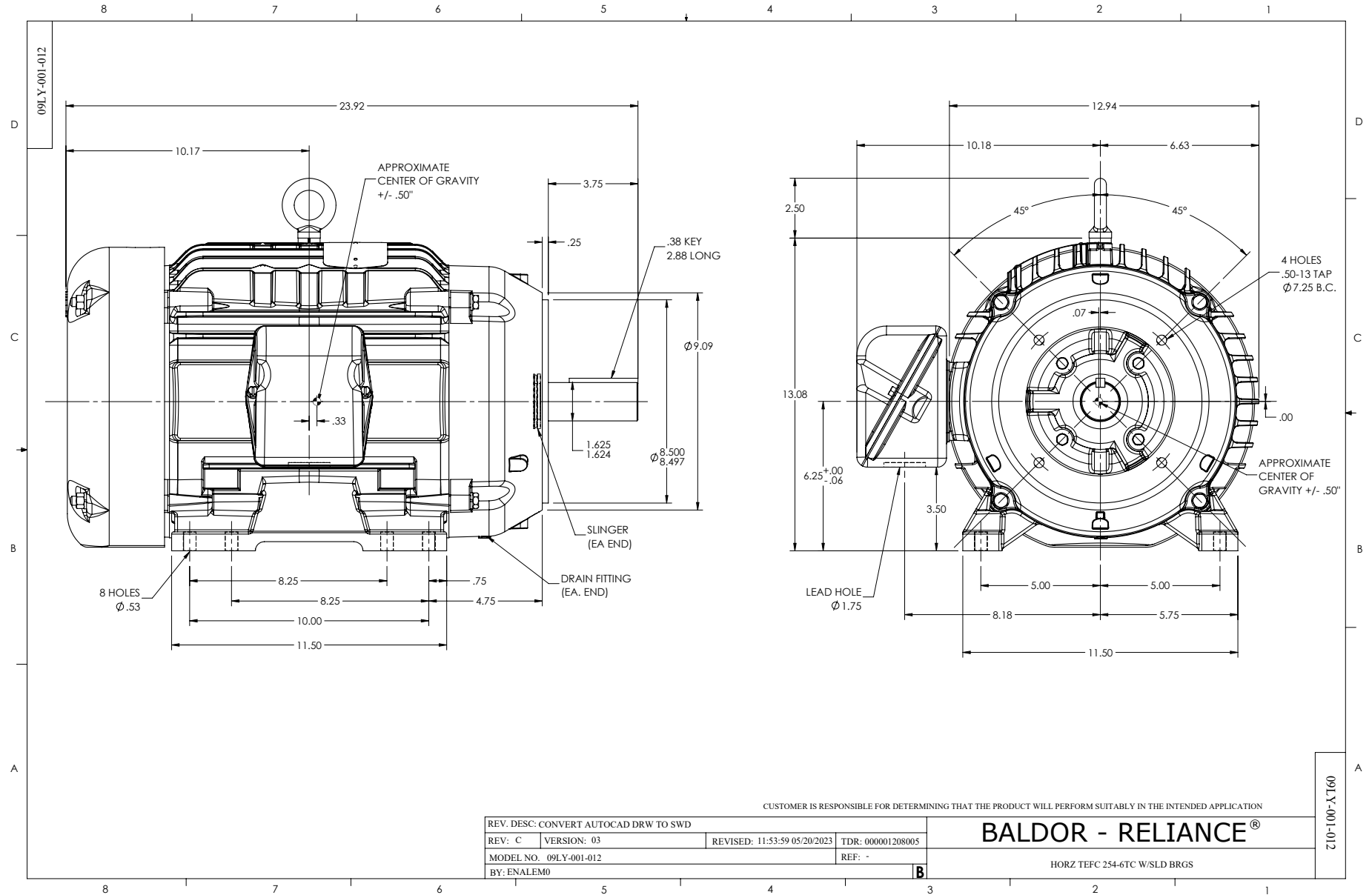
Typical performance - not guaranteed values.

20 HP 3 PH 60 HZ 1770 RPM 460 V 0960M

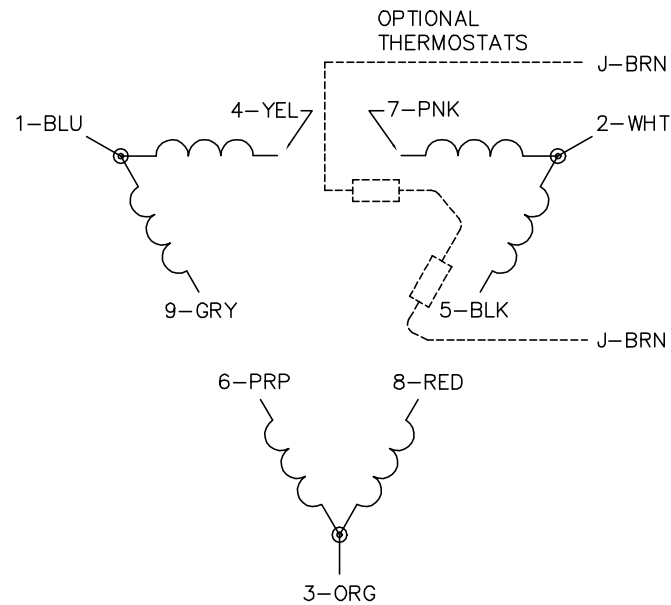
TORQUES (LB-FT): PO=232 PU=126 LR=141 LRA=198



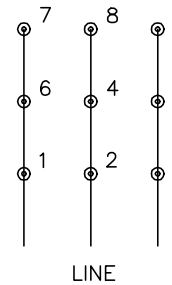
10/5/2024 ACPERF, record # 67965



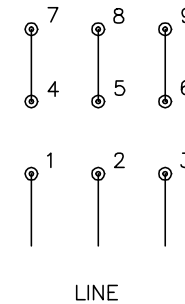
CD0180



LOW VOLTAGE
(2D)



HIGH VOLTAGE
(1D)



NOTES:

1. INTERCHANGE ANY TWO LINE LEADS TO REVERSE ROTATION.
2. OPTIONAL THERMOSTATS ARE PROVIDED WHEN SPECIFIED.
3. ACTUAL NUMBER OF INTERNAL PARALLEL CIRCUITS MAY BE A MULTIPLE OF THOSE SHOWN ABOVE.
4. LEAD COLORS ARE OPTIONAL. LEADS MUST ALWAYS BE NUMBERED AS SHOWN.

CD0180

REV. DESC: ADD CLASS CONN00000007		
REV. LTR: D	VERSION: 01	TDR: 000001099922
FILE: \AAA\00005\148	REVISED: 10: 25: 29 02/19/2019	BY: ENBRIRO
MTL: -	© □	

BALDOR - RELIANCE®

3PH, DV, 9 LEADS, DELTA CONNECTION

SH 1 of 1