

BALDOR • RELIANCE

Customer information packet

CXT3154T-5

15HP, 1765RPM, 3PH, 60HZ, 254TC, 0948M, TEFC, F

Class - CLI GP A,B,C,D

Division - Division II

Specifications

Enclosure	TEFC
Frame	254TC
Frame Material	Iron
Frequency	60.00 Hz
Haz Area Class and Group	CLI GP A,B,C,D
Haz Area Division	Division II
Motor Letter Type	Three Phase
Output @ Frequency	15.000 HP @ 60 HZ
Phase	3
Synchronous Speed @ Frequency	1800 RPM @ 60 HZ
Voltage @ Frequency	575.0 V @ 60 HZ
Agency Approvals	UR NEMA_PREMIUM NEMA PREMIUM CSA EEV CCSA US
Ambient Temperature	40 °C
Auxillary Box	No Auxillary Box
Auxillary Box Lead Termination	None
Base Indicator	Rigid
Bearing Grease Type	Polyrex EM (-20F +300F)
Blower	None
Constant Torque Speed Range	3
Current @ Voltage	14.200 A @ 575.0 V
Design Code	A
Drip Cover	No Drip Cover
Duty Rating	CONT
Efficiency @ 100% Load	92.4 %
Electrically Isolated Bearing	Not Electrically Isolated
Feedback Device	NO FEEDBACK
Haz Area Temp Code	T3C
Heater Indicator	No Heater

Part detail

Revision	C
Type	AC
Mech. spec.	
Base	
Status	PRD/A
Elec. spec.	09WGY380
Layout	09LY-001-012
Eff. date	11-14-2023
CD Diagram	CD0006
Poles	04
Leads	3#12
Proprietary	False
Created date	07-26-2021

High Voltage Full Load Amps	14.2 a
Insulation Class	F
Inverter Code	Inverter Duty
IP Rating	NONE
KVA Code	H
Lifting Lugs	Standard Lifting Lugs
Locked Bearing Indicator	Locked Bearing
Motor Lead Termination	Flying Leads
Motor Standards	NEMA
Motor Type	0948M
Mounting Arrangement	F1
Number of Poles	4
Overall Length	23.86 IN
Power Factor	87
Product Family	General Purpose
Pulley Face Code	C-Face
Rodent Screen	None
Service Factor	1.00
Shaft Diameter	1.625 IN
Shaft Ground Indicator	No Shaft Grounding
Shaft Rotation	Reversible
Speed	1765 rpm
Speed Code	Single Speed
Starting Method	Direct on line
Thermal Device - Bearing	None
Thermal Device - Winding	None
Vibration Sensor Indicator	No Vibration Sensor
Winding Thermal 1	None
Winding Thermal 2	None

Nameplate

NP4224L									
CAT.NO.	CXT3154T-5				I.P.	54			
SPEC.	09-0000-3322				ENCL	TEFC			
FRAME	254TC	H.P.	15		T. CODE	T3C			
VOLTS	575		P.F.	87					
F.L. AMPS	14.2		RATING	40C AMB-CONT					
R.P.M.	1765		USABLE AT 208V	N/A					
HZ.	60	PH.	3	CLASS	F				
SER.F.	1.00	DES.	A	SL HZ	1				
NEMA NOM. EFF.	92.4		WK2	2.1					
DE	6309		ODE	6208					
MAG. CUR.	5.3								
INV TYPE	PWM	CHP	60	TO	90	INV TEMP CODE	T3C		
CT	3	TO	60	VT	3	TO	60		
CC	010A	SN							

AC Induction Motor Performance Data

Record # 88577

Typical performance - not guaranteed values

Winding: 09WGY380-R001		Type: 0948M		Enclosure: XPFC	
Nameplate Data			575 V, 60 Hz: Single Voltage Motor		
Rated Output (HP)		15	Full Load Torque		44.5 LB-FT
Volts		575	Start Configuration		direct on line
Full Load Amps		14.2	Breakdown Torque		137 LB-FT
R.P.M.		1765	Pull-up Torque		76.26 LB-FT
Hz	60 Phase	3	Locked-rotor Torque		75.2 LB-FT
NEMA Design Code	A KVA Code	H	Starting Current		83.2 A
Service Factor (S.F.)		1.15	No-load Current		5.57 A
NEMA Nom. Eff.	92.4 Power Factor	87	Line-line Res. @ 25°C		0.825 Ω
Rating - Duty		40C AMB-CONT	Temp. Rise @ Rated Load		47°C
S.F. Amps			Temp. Rise @ S.F. Load		56°C
			Locked-rotor Power Factor		32.6
			Rotor inertia		2.1 lb-ft ²

Load Characteristics 575 V, 60 Hz, 15 HP

% of Rated Load	25	50	75	100	125	150	S.F.
Power Factor	50	72	82	86	88	89	87
Efficiency	86.7	91.1	92.1	92.2	91.8	91.1	92
Speed	1792	1785	1778	1770	1761	1752	1765
Line amperes	6.51	8.56	11.2	14.2	17.4	20.9	16.1

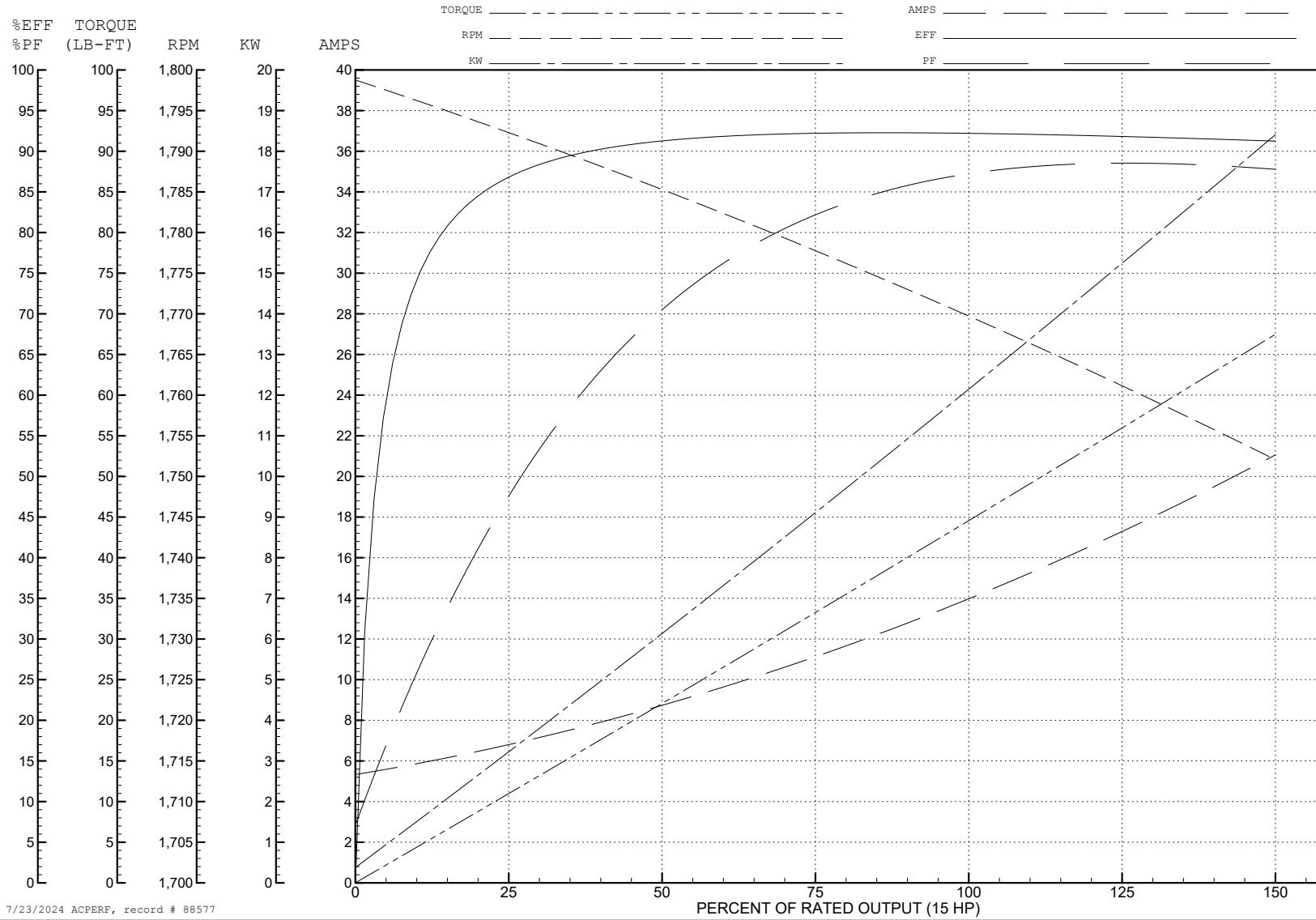
ABB Motors and Mechanical Inc.

WINDING # 09WGY380

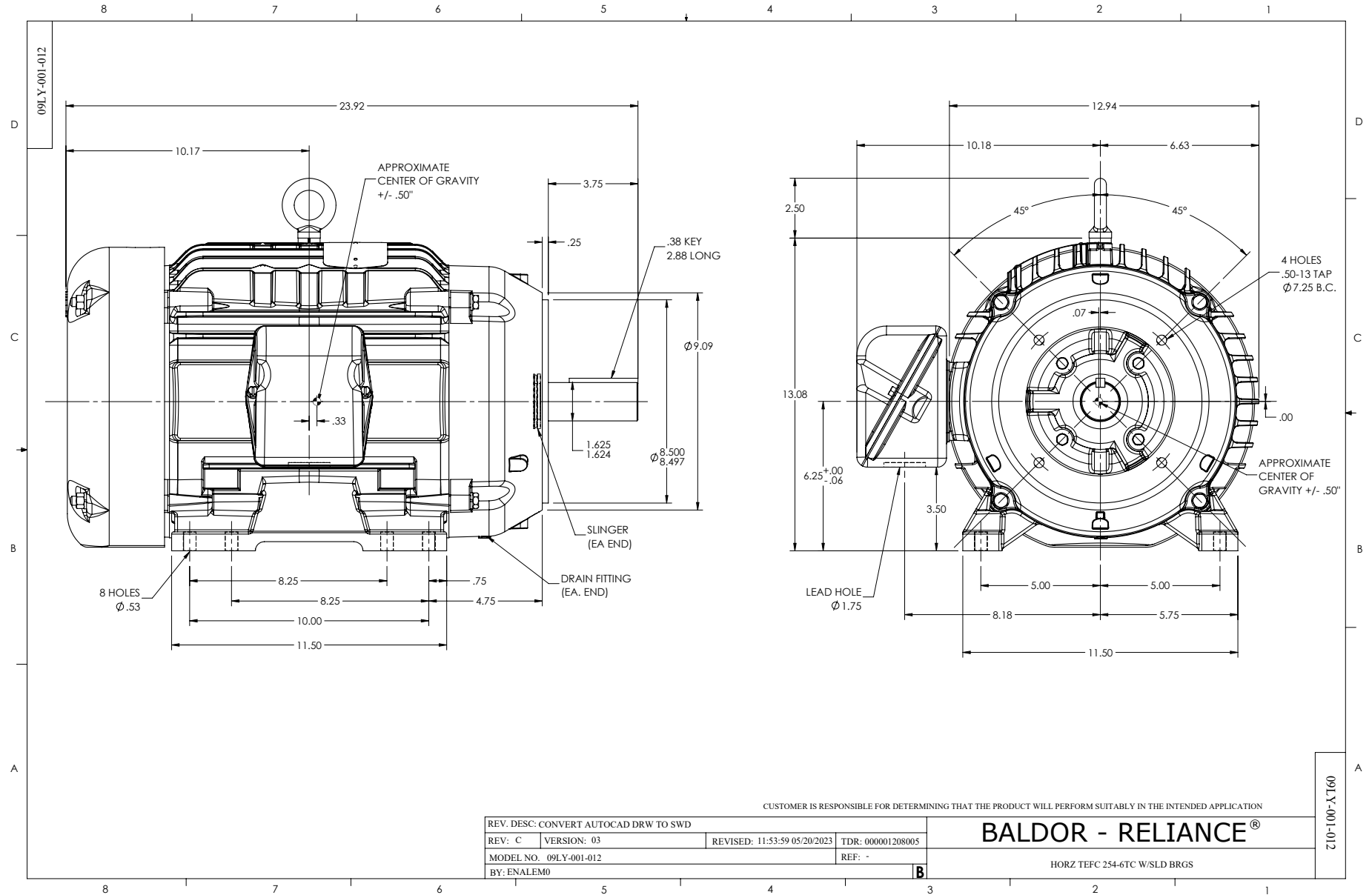
Typical performance - not guaranteed values.

15 HP 3 PH 60 HZ 1765 RPM 575 V 0948M

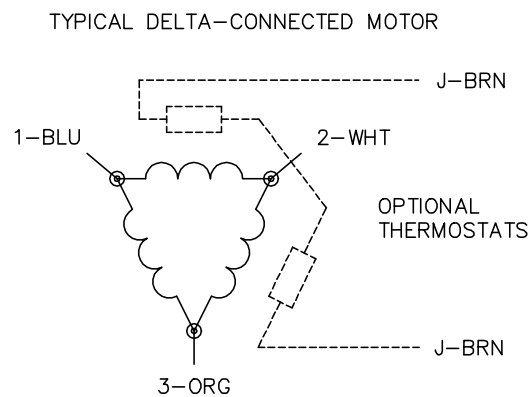
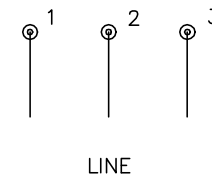
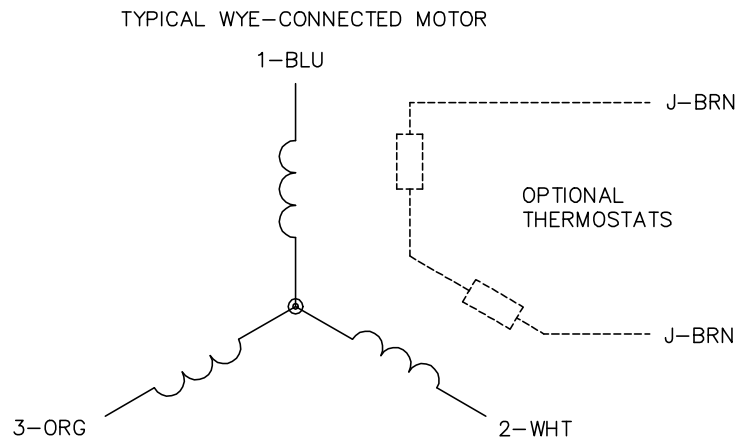
TORQUES (LB-FT): PO=137 PU=76.26 LR=75.2 LRA=83.2



7/23/2024 ACPERF, record # 88577



CD0006



NOTES:

1. THREE LEAD MOTOR MAY BE EITHER WYE CONNECTED OR DELTA CONNECTED.
2. INTERCHANGE ANY TWO LINE LEADS TO REVERSE ROTATION.
3. OPTIONAL THERMOSTATS ARE PROVIDED WHEN SPECIFIED.
4. ACTUAL NUMBER OF INTERNAL PARALLEL CIRCUITS MAY VARY.
5. LEAD COLORS ARE OPTIONAL. LEADS MUST BE NUMBERED AS SHOWN.

CD0006

REV. DESC: ADD CLASS CONN00000007		
REV. LTR: E	VERSION: 01	TDR: 000001099922
FILE: \AAA\00005\141	REVISED: 10:24:49 02/19/2019	BY: ENBRIRO
MTL: -	© □	

BALDOR - RELIANCE®

3PH, SV, 3 LEADS, WYE OR DELTA CONNECTED

SH 1 of 1