



Customer information packet

CXT3104T-5

10HP, 1760RPM, 3PH, 60HZ, 215TC, 0750M, TEFC, F

Class - CLI GP A,B,C,D

Division - Division II

Specifications

Enclosure	TEFC
Frame	215TC
Frame Material	Iron
Frequency	60.00 Hz
Haz Area Class and Group	CLI GP A,B,C,D
Haz Area Division	Division II
Motor Letter Type	Three Phase
Output @ Frequency	10.000 HP @ 60 HZ
Phase	3
Synchronous Speed @ Frequency	1800 RPM @ 60 HZ
Voltage @ Frequency	575.0 V @ 60 HZ
Agency Approvals	UR NEMA_PREMIUM NEMA PREMIUM CSA EEV CCSA US
Ambient Temperature	40 °C
Auxillary Box	No Auxillary Box
Auxillary Box Lead Termination	None
Base Indicator	Rigid
Bearing Grease Type	Polyrex EM (-20F +300F)
Blower	None
Constant Torque Speed Range	3
Current @ Voltage	9.700 A @ 575.0 V
Design Code	B
Drip Cover	No Drip Cover
Duty Rating	CONT
Efficiency @ 100% Load	91.7 %
Electrically Isolated Bearing	Not Electrically Isolated
Feedback Device	NO FEEDBACK
Haz Area Temp Code	T3C
Heater Indicator	No Heater

Part detail

Revision	A
Type	AC
Mech. spec.	
Base	
Status	PRD/A
Elec. spec.	07WGR568
Layout	07LYN006
Eff. date	09-19-2022
CD Diagram	CD0006
Poles	04
Leads	3#14
Proprietary	False
Created date	07-27-2021

High Voltage Full Load Amps	9.7 a
Insulation Class	F
Inverter Code	Inverter Duty
IP Rating	NONE
KVA Code	H
Lifting Lugs	Standard Lifting Lugs
Locked Bearing Indicator	Locked Bearing
Motor Lead Termination	Flying Leads
Motor Standards	NEMA
Motor Type	0750M
Mounting Arrangement	F1
Number of Poles	4
Overall Length	19.20 IN
Power Factor	84
Product Family	General Purpose
Pulley Face Code	C-Face
Rodent Screen	None
Service Factor	1.15
Shaft Diameter	1.375 IN
Shaft Ground Indicator	No Shaft Grounding
Shaft Rotation	Reversible
Speed	1760 rpm
Speed Code	Single Speed
Starting Method	Direct on line
Thermal Device - Bearing	None
Thermal Device - Winding	None
Vibration Sensor Indicator	No Vibration Sensor
Winding Thermal 1	None
Winding Thermal 2	None

Nameplate

NP4224L									
CAT.NO.	CXT3104T-5				I.P.	54			
SPEC.	07-0000-1121				ENCL	TEFC			
FRAME	215TC	H.P.	10		T. CODE	T3C			
VOLTS	575		P.F.	84					
F.L. AMPS	9.7		RATING	40C AMB-CONT					
R.P.M.	1760		USABLE AT 208V	N/A					
HZ.	60	PH.	3	CLASS	F				
SER.F.	1.15		DES.	B	SL HZ	0.9			
NEMA NOM. EFF.	91.7		WK2	1.18					
DE	6307		ODE	6206					
MAG. CUR.	3.4								
INV TYPE	PWM	CHP	60	TO	90	INV TEMP CODE	T3C		
CT	3	TO	60	VT	3	TO	60		
CC	010A	SN							

AC Induction Motor Performance Data

Record # 88589

Typical performance - not guaranteed values

Winding: 07WGR568-R001		Type: 0750M		Enclosure: XPFC	
Nameplate Data			575 V, 60 Hz: Single Voltage Motor		
Rated Output (HP)	10	Full Load Torque	29.761 LB-FT		
Volts	575	Start Configuration	direct on line		
Full Load Amps	9.7	Breakdown Torque	81.7523 LB-FT		
R.P.M.	1760	Pull-up Torque	40.21 LB-FT		
Hz	60 Phase	3	Locked-rotor Torque	44.4488 LB-FT	
NEMA Design Code	B KVA Code	H	Starting Current	49.1397 A	
Service Factor (S.F.)	1.15		No-load Current	3.534 A	
NEMA Nom. Eff.	91.7 Power Factor	84	Line-line Res. @ 25°C	1.71 Ω	
Rating - Duty	40C AMB-CONT		Temp. Rise @ Rated Load	37°C	
S.F. Amps			Temp. Rise @ S.F. Load	45°C	
			Locked-rotor Power Factor	35.0711	
			Rotor inertia	1.23 lb-ft ²	

Load Characteristics 575 V, 60 Hz, 10 HP

% of Rated Load	25	50	75	100	125	150	S.F.
Power Factor	51.6312	73.5917	82.7817	86.6494	88.2156	88.5283	88
Efficiency	87.9014	91.4566	92.0057	91.6717	90.9056	89.8466	91.2
Speed	1791.873	1784.043	1775.673	1766.763	1756.953	1746.063	1761
Line amperes	4.173	5.5736	7.3933	9.4389	11.696	14.1382	10.8

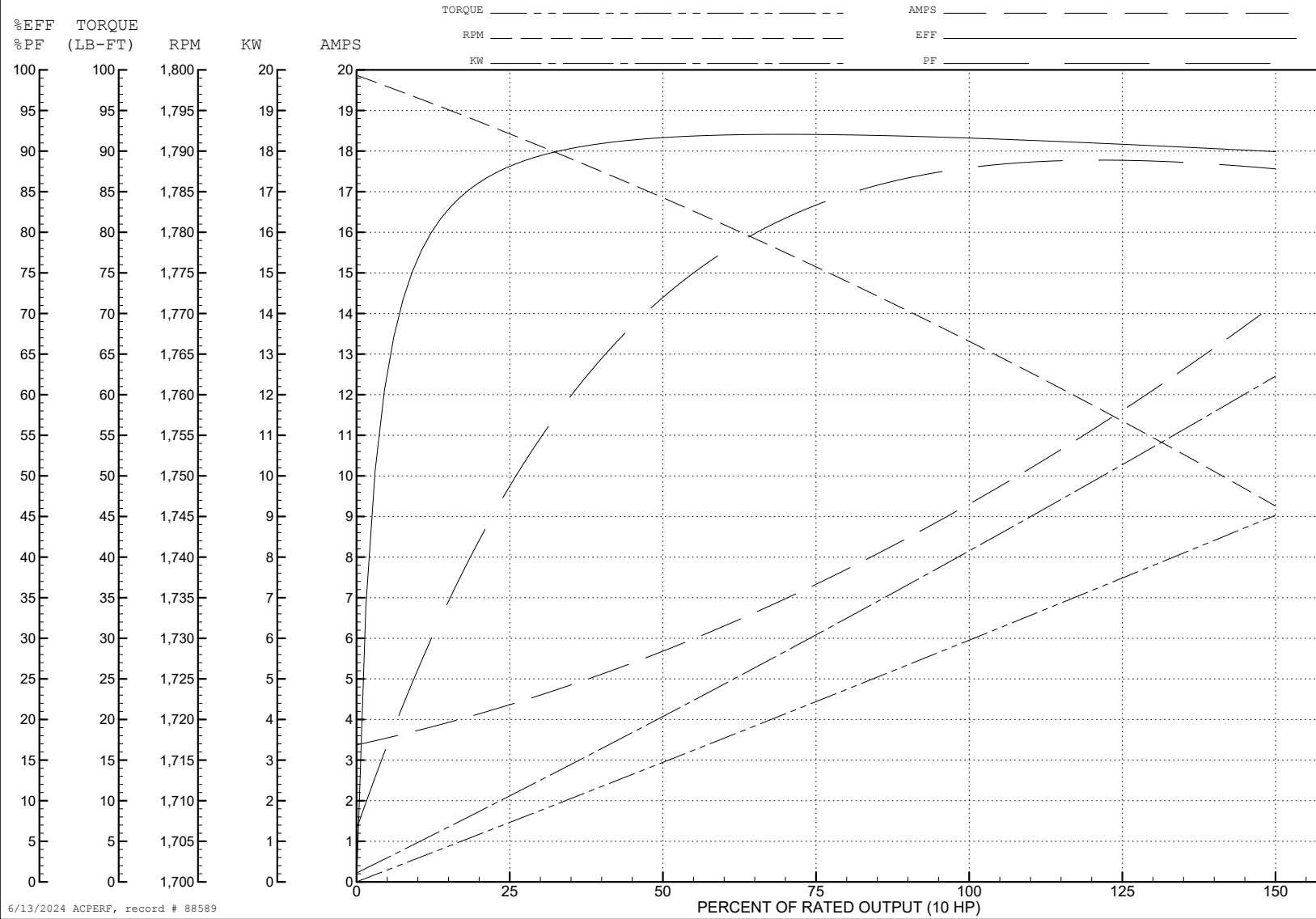
ABB Motors and Mechanical Inc.

WINDING # 07WGR568

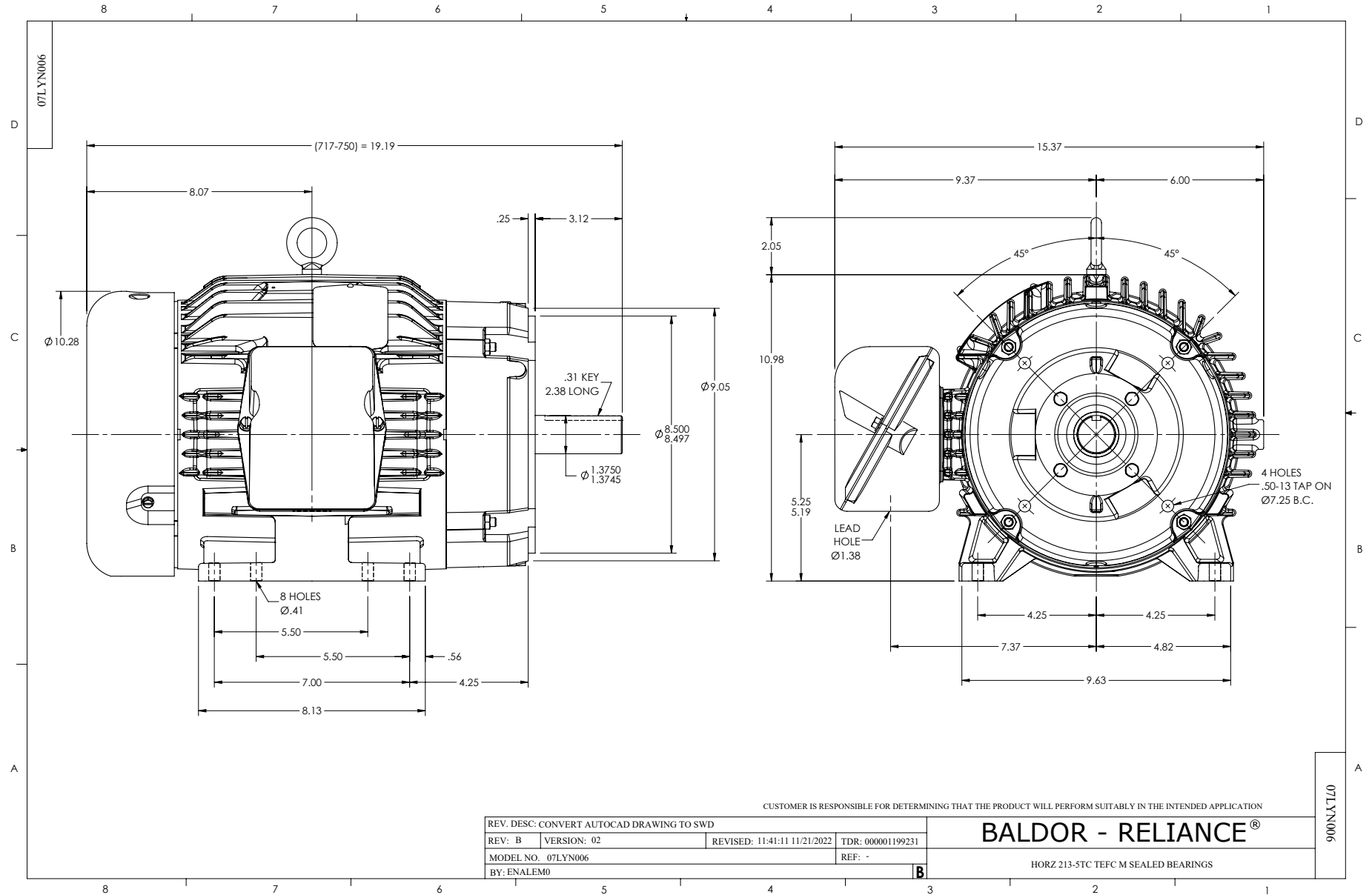
Typical performance - not guaranteed values.

10 HP 3 PH 60 HZ 1760 RPM 575 V 0750M

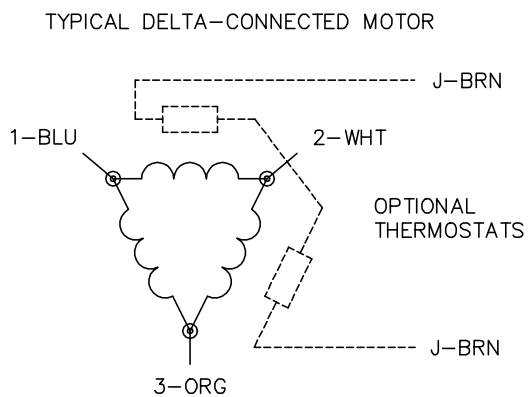
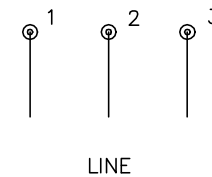
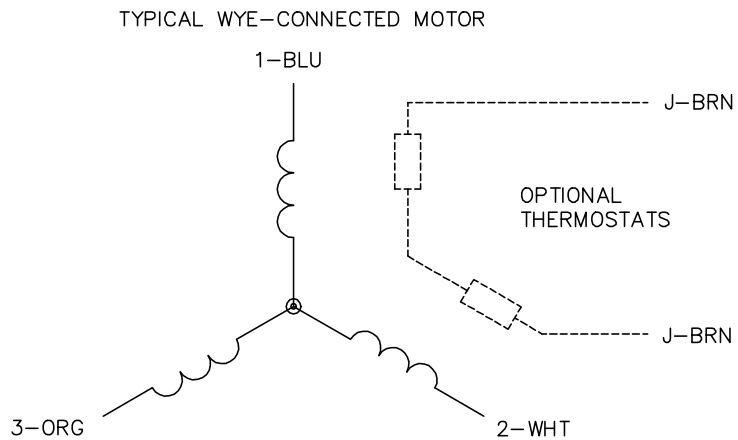
TORQUES (LB-FT): PO=81.7523 PU=40.21 LR=44.4488 LRA=49.1397



6/13/2024 ACPERF, record # 88589



CD0006



NOTES:

1. THREE LEAD MOTOR MAY BE EITHER WYE CONNECTED OR DELTA CONNECTED.
2. INTERCHANGE ANY TWO LINE LEADS TO REVERSE ROTATION.
3. OPTIONAL THERMOSTATS ARE PROVIDED WHEN SPECIFIED.
4. ACTUAL NUMBER OF INTERNAL PARALLEL CIRCUITS MAY VARY.
5. LEAD COLORS ARE OPTIONAL. LEADS MUST BE NUMBERED AS SHOWN.

CD0006

REV. DESC: ADD CLASS CONN00000007		
REV. LTR: E	VERSION: 01	TDR: 000001099922
FILE: \AAA\00005\141	REVISED: 10:24:49 02/19/2019	BY: ENBRIRO
MTL: -	© □	

BALDOR - RELIANCE®

3PH, SV, 3 LEADS, WYE OR DELTA CONNECTED

SH 1 of 1