

BALDOR® • RELIANCE™

Customer information packet

CXT3076T-5

7.5HP, 1180RPM, 3PH, 60HZ, 254TC, TEFC, F1

Class - CLI GP A,B,C,D

Division - Division II

Copyright © All product information within this document is subject to ABB Motors and Mechanical Inc. copyright © protection, unless otherwise noted.

9/9/2024 6:43:00 AM

Specifications

Enclosure	TEFC
Frame	254TC
Frame Material	Iron
Frequency	60.00 Hz
Haz Area Class and Group	CLI GP A,B,C,D
Haz Area Division	Division II
Motor Letter Type	Three Phase
Output @ Frequency	7.500 HP @ 60 HZ
Phase	3
Synchronous Speed @ Frequency	1200 RPM @ 60 HZ
Voltage @ Frequency	575.0 V @ 60 HZ
Agency Approvals	UR NEMA_PREMIUM NEMA PREMIUM CSA EEV CCSA US
Ambient Temperature	40 °C
Auxillary Box	No Auxillary Box
Auxillary Box Lead Termination	None
Base Indicator	Rigid
Bearing Grease Type	Polyrex EM (-20F +300F)
Blower	None
Constant Torque Speed Range	3
Current @ Voltage	8.400 A @ 575.0 V
Design Code	B
Drip Cover	No Drip Cover
Duty Rating	CONT
Efficiency @ 100% Load	91.0 %
Electrically Isolated Bearing	Not Electrically Isolated
Feedback Device	NO FEEDBACK
Haz Area Temp Code	T3C
Heater Indicator	No Heater

Part detail

Revision	D
Type	AC
Mech. spec.	
Base	
Status	PRD/A
Elec. spec.	09WGWZ844
Layout	09LY-001-012
Eff. date	11-14-2023
CD Diagram	CD0006
Poles	06
Leads	3#12
Proprietary	False
Created date	07-26-2021

High Voltage Full Load Amps	8.4 a
Insulation Class	F
Inverter Code	Inverter Duty
IP Rating	NONE
KVA Code	H
Lifting Lugs	Standard Lifting Lugs
Locked Bearing Indicator	Locked Bearing
Motor Lead Termination	Flying Leads
Motor Standards	NEMA
Motor Type	0954M
Mounting Arrangement	F1
Number of Poles	6
Overall Length	23.86 IN
Power Factor	71
Product Family	General Purpose
Pulley Face Code	C-Face
Rodent Screen	None
Service Factor	1.15
Shaft Diameter	1.625 IN
Shaft Ground Indicator	No Shaft Grounding
Shaft Rotation	Reversible
Speed	1180 rpm
Speed Code	Single Speed
Starting Method	Direct on line
Thermal Device - Bearing	None
Thermal Device - Winding	None
Vibration Sensor Indicator	No Vibration Sensor
Winding Thermal 1	None
Winding Thermal 2	None

Nameplate

NP4224L									
CAT.NO.	CXT3076T-5				I.P.	54			
SPEC.	09-0000-3317				ENCL	TEFC			
FRAME	254TC	H.P.	7.5		T. CODE	T3C			
VOLTS	575		P.F.	71					
F.L. AMPS	8.4		RATING	40C AMB-CONT					
R.P.M.	1180		USABLE AT 208V	N/A					
HZ.	60	PH.	3	CLASS	F				
SER.F.	1.15		DES.	B	SL HZ	1			
NEMA NOM. EFF.	91		WK2	4.34					
DE	6309		ODE	6208					
MAG. CUR.	4.3								
INV TYPE	PWM	CHP	60	TO	90	INV TEMP CODE	T3C		
CT	3	TO	60	VT	3	TO	60		
CC	010A	SN							

AC Induction Motor Performance Data

Record # 50839

Typical performance - not guaranteed values

Winding: 09WGZ844-R005		Type: 0954M		Enclosure: TEFC	
Nameplate Data			575 V, 60 Hz: Single Voltage Motor		
Rated Output (KW)	5.5	Full Load Torque	32.4 LB-FT		
Volts	575	Start Configuration	direct on line		
Full Load Amps	8.4	Breakdown Torque	90.2 LB-FT		
R.P.M.	1180	Pull-up Torque	35.9 LB-FT		
Hz	60	Phase	3	Locked-rotor Torque	52.7 LB-FT
NEMA Design Code	B	KVA Code	H	Starting Current	50.9 A
Service Factor (S.F.)	1.15	No-load Current	4.25 A		
NEMA Nom. Eff.	91.7	Power Factor	71	Line-line Res. @ 25°C	1.6 Ω
Rating - Duty	40C AMB-CONT		Temp. Rise @ Rated Load	32°C	
S.F. Amps			Temp. Rise @ S.F. Load	38°C	

Load Characteristics 575 V, 60 Hz, 5.5 KW

% of Rated Load	25	50	75	100	125	150	S.F.
Power Factor	35	55	65	71	75	75	73
Efficiency	83.6	90.3	91.3	91.7	91.6	90.5	91.6
Speed	1196	1191	1188	1183	1177	1170	1179
Line amperes	4.67	5.65	6.81	8.37	10.1	12.5	9.41

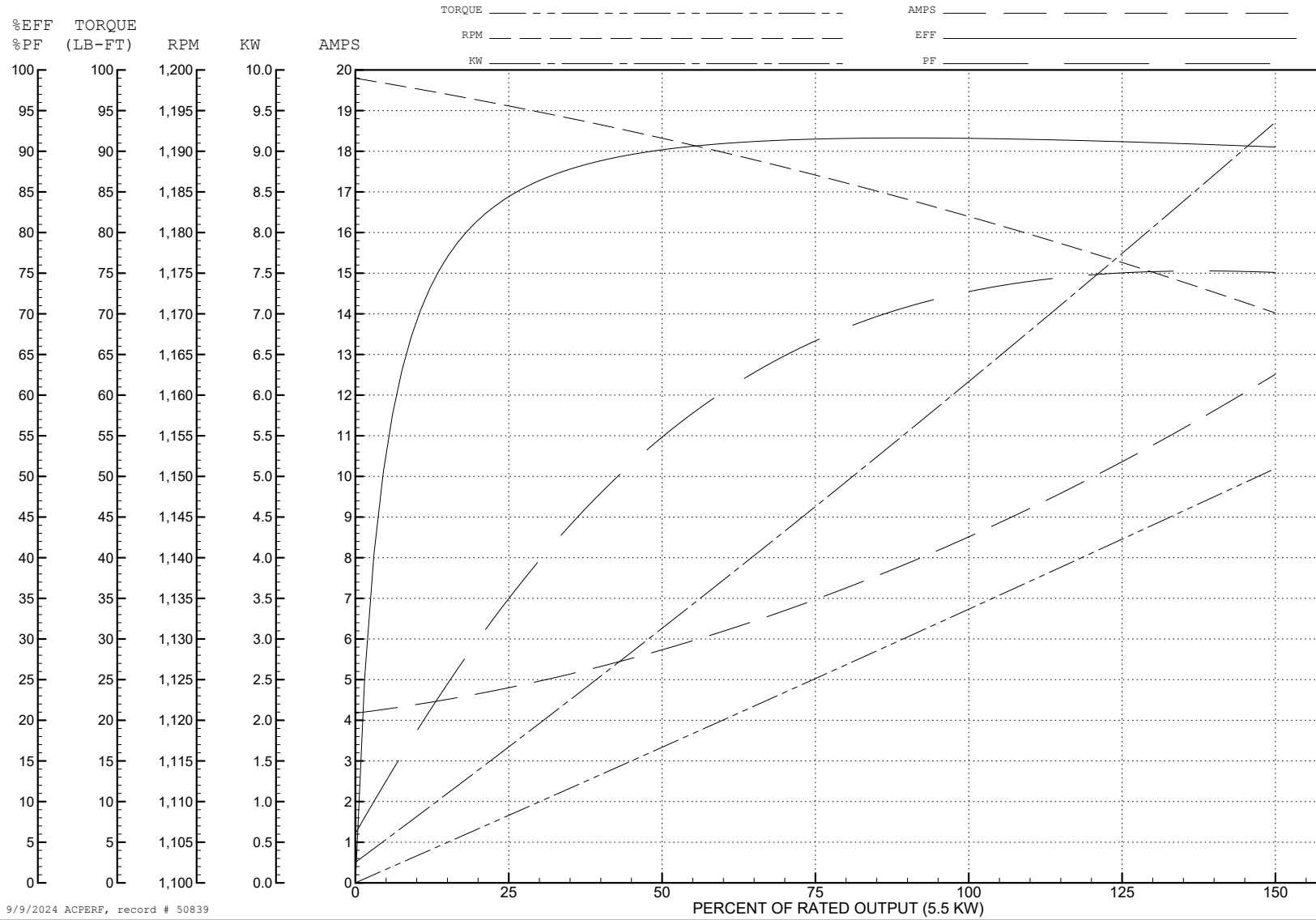
ABB Motors and Mechanical Inc.

WINDING # 09WGZ844

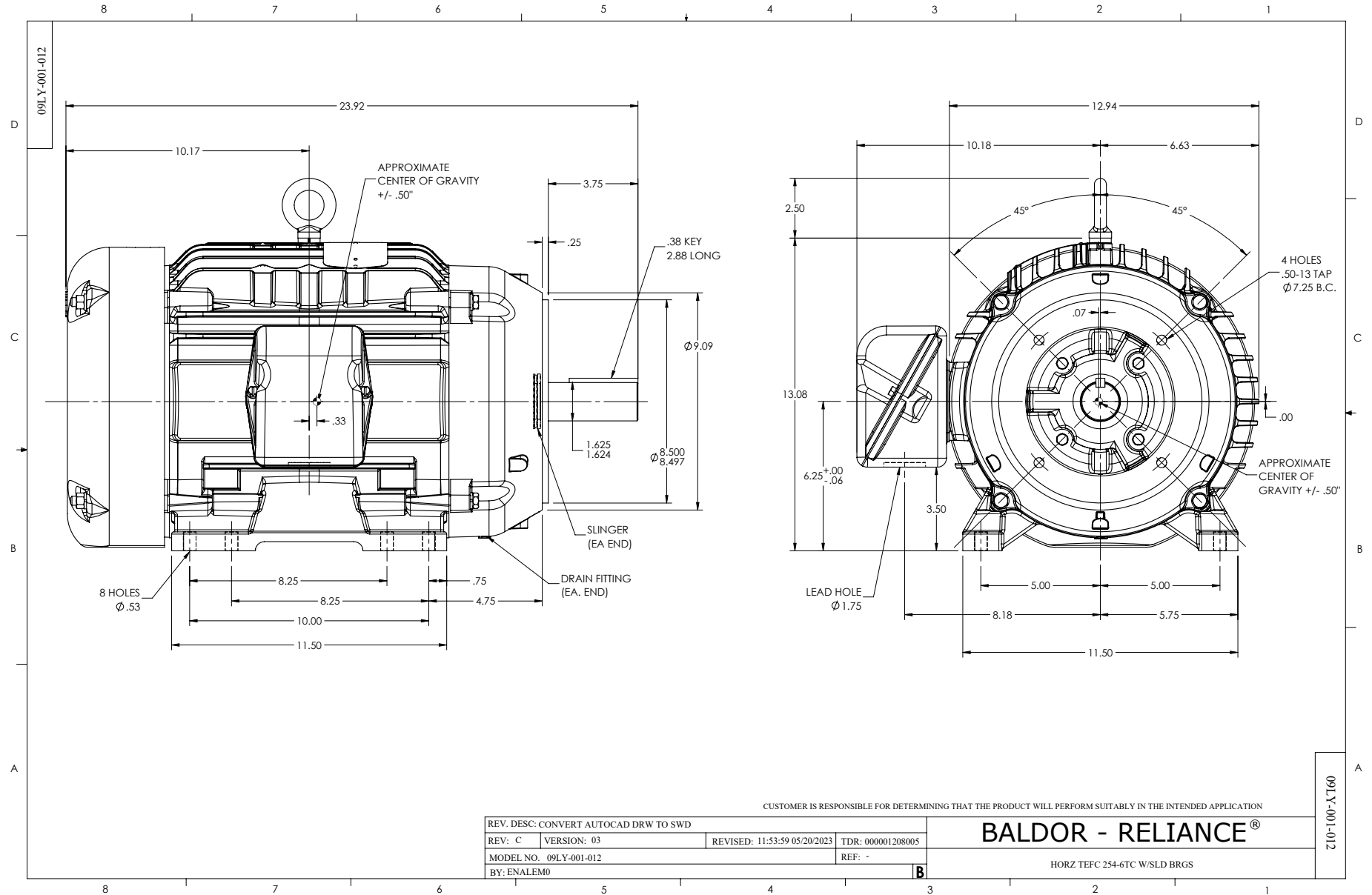
5.5 KW 3 PH 60 HZ 1180 RPM 575 V 0954M

Typical performance - not guaranteed values.

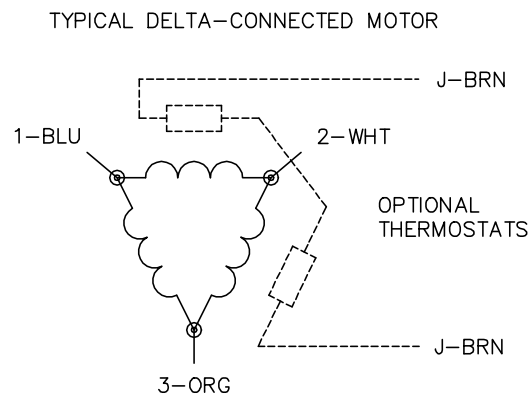
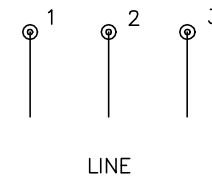
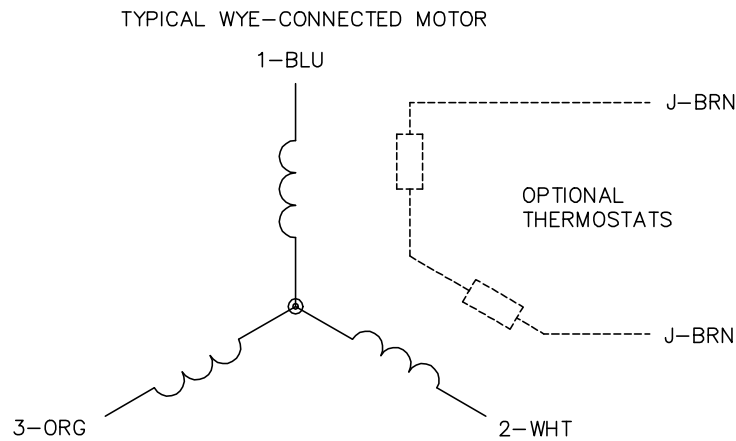
TORQUES (LB-FT): PO=90.2 PU=35.9 LR=52.7 LRA=50.9



9/9/2024 ACPERF, record # 50839



CD0006



NOTES:

1. THREE LEAD MOTOR MAY BE EITHER WYE CONNECTED OR DELTA CONNECTED.
2. INTERCHANGE ANY TWO LINE LEADS TO REVERSE ROTATION.
3. OPTIONAL THERMOSTATS ARE PROVIDED WHEN SPECIFIED.
4. ACTUAL NUMBER OF INTERNAL PARALLEL CIRCUITS MAY VARY.
5. LEAD COLORS ARE OPTIONAL. LEADS MUST BE NUMBERED AS SHOWN.

CD0006

REV. DESC: ADD CLASS CONN00000007		
REV. LTR: E	VERSION: 01	TDR: 000001099922
FILE: \AAA\00005\141	REVISED: 10:24:49 02/19/2019	BY: ENBRIRO
MTL: -	© □	

BALDOR - RELIANCE®

3PH, SV, 3 LEADS, WYE OR DELTA CONNECTED

SH 1 of 1