



---

# Customer information packet

## CXT3054T-5

5HP, 1750RPM, 3PH, 60HZ, 184TC, 0642M, TEFC, F1

Class - CLI GP A,B,C,D

Division - Division II

## Specifications

Enclosure	TEFC
Frame	184TC
Frame Material	Iron
Frequency	60.00 Hz
Haz Area Class and Group	CLI GP A,B,C,D
Haz Area Division	Division II
Motor Letter Type	Three Phase
Output @ Frequency	5.000 HP @ 60 HZ
Phase	3
Synchronous Speed @ Frequency	1800 RPM @ 60 HZ
Voltage @ Frequency	575.0 V @ 60 HZ
Agency Approvals	UR NEMA_PREMIUM NEMA PREMIUM CSA EEV CCSA US
Ambient Temperature	40 °C
Auxillary Box	No Auxillary Box
Auxillary Box Lead Termination	None
Base Indicator	Rigid
Bearing Grease Type	Polyrex EM (-20F +300F)
Blower	None
Constant Torque Speed Range	6
Current @ Voltage	5.300 A @ 575.0 V
Design Code	B
Drip Cover	No Drip Cover
Duty Rating	CONT
Efficiency @ 100% Load	89.5 %
Electrically Isolated Bearing	Not Electrically Isolated
Feedback Device	NO FEEDBACK
Haz Area Temp Code	T3C
Heater Indicator	No Heater

## Part detail

Revision	A
Type	AC
Mech. spec.	
Base	
Status	PRD/A
Elec. spec.	06WGY425
Layout	06LYF921
Eff. date	09-19-2022
CD Diagram	CD0006
Poles	04
Leads	3#16
Proprietary	False
Created date	05-20-2021

High Voltage Full Load Amps	5.3 a
Insulation Class	F
Inverter Code	Inverter Duty
IP Rating	NONE
KVA Code	H
Lifting Lugs	Standard Lifting Lugs
Locked Bearing Indicator	Locked Bearing
Motor Lead Termination	Flying Leads
Motor Standards	NEMA
Motor Type	0642M
Mounting Arrangement	F1
Number of Poles	4
Overall Length	15.98 IN
Power Factor	81
Product Family	General Purpose
Pulley Face Code	C-Face
Rodent Screen	None
Service Factor	1.15
Shaft Diameter	1.125 IN
Shaft Ground Indicator	No Shaft Grounding
Shaft Rotation	Reversible
Speed	1750 rpm
Speed Code	Single Speed
Starting Method	Direct on line
Thermal Device - Bearing	None
Thermal Device - Winding	None
Vibration Sensor Indicator	No Vibration Sensor
Winding Thermal 1	None
Winding Thermal 2	None

**Nameplate**

<b>NP4224L</b>									
<b>CAT.NO.</b>	CXT3054T-5				<b>I.P.</b>	54			
<b>SPEC.</b>	06-0000-0943				<b>ENCL</b>	TEFC			
<b>FRAME</b>	184TC	<b>H.P.</b>	5		<b>T. CODE</b>	T3C			
<b>VOLTS</b>	575		<b>P.F.</b>	81					
<b>F.L. AMPS</b>	5.3		<b>RATING</b>	40C AMB-CONT					
<b>R.P.M.</b>	1750		<b>USABLE AT 208V</b>	N/A					
<b>HZ.</b>	60	<b>PH.</b>	3	<b>CLASS</b>	F				
<b>SER.F.</b>	1.15	<b>DES.</b>	B	<b>SL HZ</b>	1.7				
<b>NEMA NOM. EFF.</b>	89.5		<b>WK2</b>	0.39					
<b>DE</b>	6206		<b>ODE</b>	6205					
<b>MAG. CUR.</b>	2.2								
<b>INV TYPE</b>	PWM	<b>CHP</b>	60	<b>TO</b>	90	<b>INV TEMP CODE</b>	T3C		
<b>CT</b>	6	<b>TO</b>	60	<b>VT</b>	6	<b>TO</b>	60		
<b>CC</b>	010A		<b>SN</b>						
	1.15 SF ON SINE WAVE								

**AC Induction Motor Performance Data**

Record # 88469

Typical performance - not guaranteed values

Winding: 06WGY425-R001		Type: 0642M		Enclosure: TEFC	
<b>Nameplate Data</b>			<b>575 V, 60 Hz: Single Voltage Motor</b>		
Rated Output (HP)	5	Full Load Torque	15 LB-FT		
Volts	575	Start Configuration	direct on line		
Full Load Amps	5.3	Breakdown Torque	43.1 LB-FT		
R.P.M.	1750	Pull-up Torque	28.37 LB-FT		
Hz	60 Phase	3	Locked-rotor Torque	25.4 LB-FT	
NEMA Design Code	B	KVA Code	H	Starting Current	26.7 A
Service Factor (S.F.)	1.15		No-load Current	2.33 A	
NEMA Nom. Eff.	89.5	Power Factor	81	Line-line Res. @ 25°C	3.96 Ω
Rating - Duty	50C AMB-CONT		Temp. Rise @ Rated Load	49°C	
S.F. Amps			Temp. Rise @ S.F. Load	59°C	
			Locked-rotor Power Factor	39.7	
			Rotor inertia	0.391 lb-ft <sup>2</sup>	

**Load Characteristics 575 V, 60 Hz, 5 HP**

% of Rated Load	25	50	75	100	125	150	S.F.
Power Factor	43	66	77	83	86	87	85
Efficiency	84.2	89	89.9	89.5	88.6	87.3	89
Speed	1789	1778	1766	1753	1739	1724	1745
Line amperes	2.59	3.21	4.06	5.05	6.17	7.42	5.72

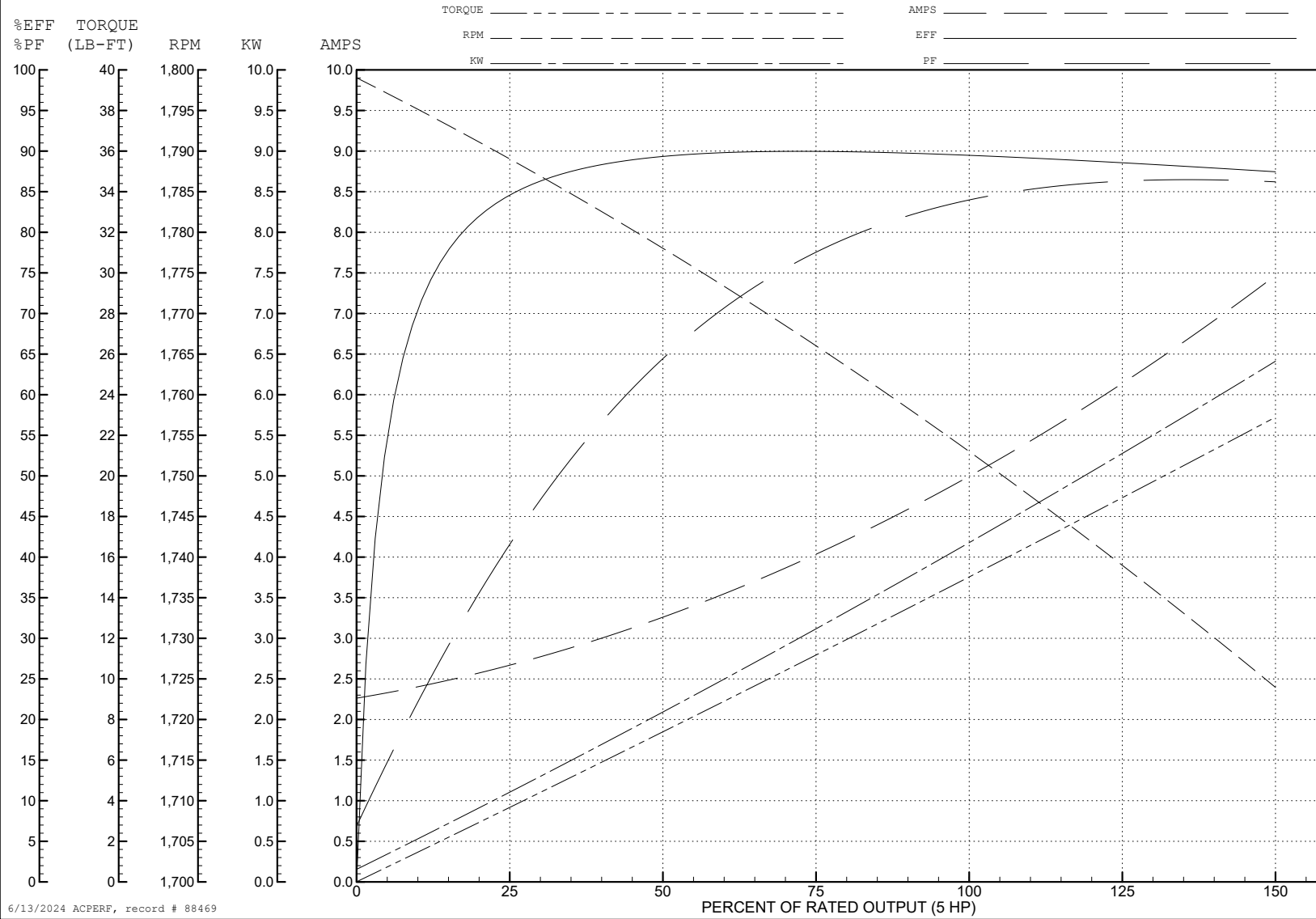
ABB Motors and Mechanical Inc.

WINDING # 06WGY425

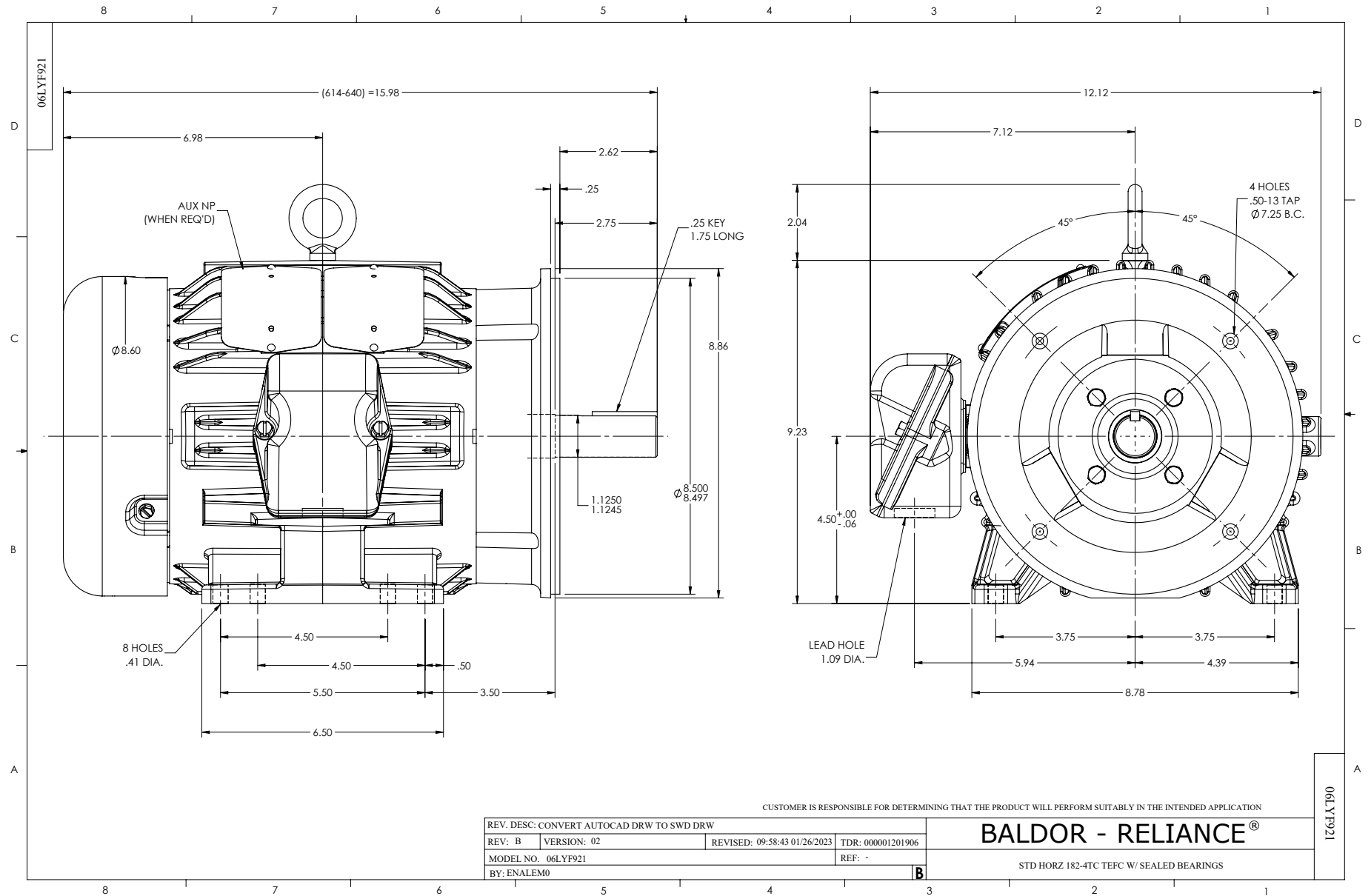
5 HP 3 PH 60 HZ 1750 RPM 575 V 0642M

Typical performance - not guaranteed values.

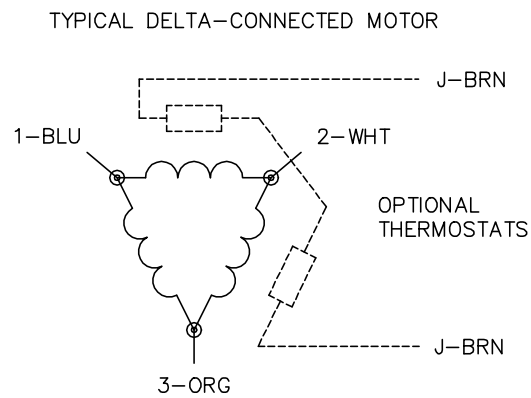
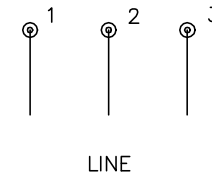
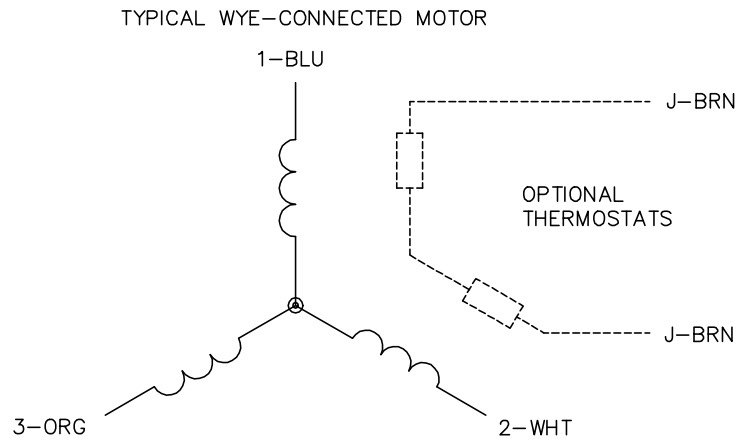
TORQUES (LB-FT): PO=43.1 PU=28.37 LR=25.4 LRA=26.7



6/13/2024 ACPERF, record # 88469



CD0006



NOTES:

1. THREE LEAD MOTOR MAY BE EITHER WYE CONNECTED OR DELTA CONNECTED.
2. INTERCHANGE ANY TWO LINE LEADS TO REVERSE ROTATION.
3. OPTIONAL THERMOSTATS ARE PROVIDED WHEN SPECIFIED.
4. ACTUAL NUMBER OF INTERNAL PARALLEL CIRCUITS MAY VARY.
5. LEAD COLORS ARE OPTIONAL. LEADS MUST BE NUMBERED AS SHOWN.

CD0006

REV. DESC: ADD CLASS CONN00000007		
REV. LTR: E	VERSION: 01	TDR: 000001099922
FILE: \AAA\00005\141	REVISED: 10: 24: 49 02/19/2019	BY: ENBRIRO
MTL: -	© □	

**BALDOR - RELIANCE®**

3PH, SV, 3 LEADS, WYE OR DELTA CONNECTED

SH 1 of 1