



Customer information packet

CXT3024T-5

2HP, 1765RPM, 3PH, 60HZ, 145TC, 0528M, TEFC, F1

Class - CLI GP A,B,C,D

Division - Division II

Specifications

Enclosure	TEFC
Frame	145TC
Frame Material	Iron
Frequency	60.00 Hz
Haz Area Class and Group	CLI GP A,B,C,D
Haz Area Division	Division II
Motor Letter Type	Three Phase
Output @ Frequency	2.000 HP @ 60 HZ
Phase	3
Synchronous Speed @ Frequency	1800 RPM @ 60 HZ
Voltage @ Frequency	575.0 V @ 60 HZ
Agency Approvals	CCSA US CSA EEV NEMA PREMIUM NEMA_PREMIUM UR
Ambient Temperature	40 °C
Auxillary Box	No Auxillary Box
Auxillary Box Lead Termination	None
Base Indicator	Rigid
Bearing Grease Type	Polyrex EM (-20F +300F)
Blower	None
Constant Torque Speed Range	3
Current @ Voltage	2.150 A @ 575.0 V
Design Code	B
Drip Cover	No Drip Cover
Duty Rating	CONT
Efficiency @ 100% Load	86.5 %
Electrically Isolated Bearing	Not Electrically Isolated
Feedback Device	NO FEEDBACK
Front Shaft Indicator	None
Haz Area Temp Code	T4

Part detail

Revision	-
Type	AC
Mech. spec.	05E6083
Base	
Status	PRD/A
Elec. spec.	05WGX552
Layout	05LYE6083
Eff. date	01-05-2024
CD Diagram	CD0006
Poles	04
Leads	3#18
Proprietary	False
Created date	12-20-2023

Heater Indicator	No Heater
High Voltage Full Load Amps	2.2 a
Insulation Class	F
Inverter Code	Inverter Ready
KVA Code	L
Lifting Lugs	No Lifting Lugs
Locked Bearing Indicator	Locked Bearing
Motor Lead Quantity/Wire Size	3 @ 18 AWG
Motor Lead Termination	Flying Leads
Motor Standards	NEMA
Motor Type	0528M
Mounting Arrangement	F1
Number of Poles	4
Overall Length	12.54 IN
Power Factor	80
Product Family	General Purpose
Pulley End Bearing Type	Sealed Bearing
Pulley Face Code	C-Face
Pulley Shaft Indicator	Standard
Rodent Screen	None
Service Factor	1.15
Shaft Diameter	0.875 IN
Shaft Ground Indicator	No Shaft Grounding
Shaft Rotation	Reversible
Shaft Slinger Indicator	No Slinger
Speed	1765 rpm
Speed Code	Single Speed
Starting Method	Direct on line
Thermal Device - Bearing	None
Thermal Device - Winding	None
Vibration Sensor Indicator	No Vibration Sensor
Winding Thermal 1	None
Winding Thermal 2	None

Nameplate

NP4224L									
CAT.NO.	CXT3024T-5				I.P.	54			
SPEC.	05E6083X552				ENCL	TEFC			
FRAME	145TC	H.P.	2		T. CODE	T4			
VOLTS	575		P.F.	80					
F.L. AMPS	2.15		RATING	40C AMB-CONT					
R.P.M.	1765		USABLE AT 208V	N/A					
HZ.	60	PH.	3	CLASS	F				
SER.F.	1.15		DES.	B	SL HZ	1.2			
NEMA NOM. EFF.	86.5		WK2	0.202					
DE	6205		ODE	6203					
MAG. CUR.	1.46								
INV TYPE	PWM	CHP	60	TO	90	INV TEMP CODE	T4		
CT	3	TO	60	VT	3	TO	60		
CC	010A		SN						
	1.15 SF ON SINE WAVE								
	SFA 2.57								

AC Induction Motor Performance Data

Record # 81984

Typical performance - not guaranteed values

Winding: 05WGX552-R001		Type: 0526M		Enclosure: TEFC	
Nameplate Data			575 V, 60 Hz: Single Voltage Motor		
Rated Output (HP)	2	Full Load Torque	5.96 LB-FT		
Volts	575	Start Configuration	direct on line		
Full Load Amps	2.15	Breakdown Torque	24.3 LB-FT		
R.P.M.	1764	Pull-up Torque	11.97 LB-FT		
Hz	60	Locked-rotor Torque	16.23 LB-FT		
NEMA Design Code	B	Starting Current	18.92 A		
Service Factor (S.F.)	1.15	No-load Current	1.46 A		
NEMA Nom. Eff.	86.5	Line-line Res. @ 25°C	15 Ω		
Rating - Duty	40C	Temp. Rise @ Rated Load	41°C		
S.F. Amps	AMB-CONT	Temp. Rise @ S.F. Load	49°C		
		Locked-rotor Power Factor	57		
		Rotor inertia	0.188 lb-ft ²		

Load Characteristics 575 V, 60 Hz, 2 HP

% of Rated Load	25	50	75	100	125	150	S.F.
Power Factor	33	53	66	75	80	83	78
Efficiency	76.4	84.5	86.5	86.4	85.6	84.2	85.9
Speed	1790	1782	1773	1763	1753	1741	1757
Line amperes	1.5	1.68	1.97	2.32	2.74	3.21	2.57

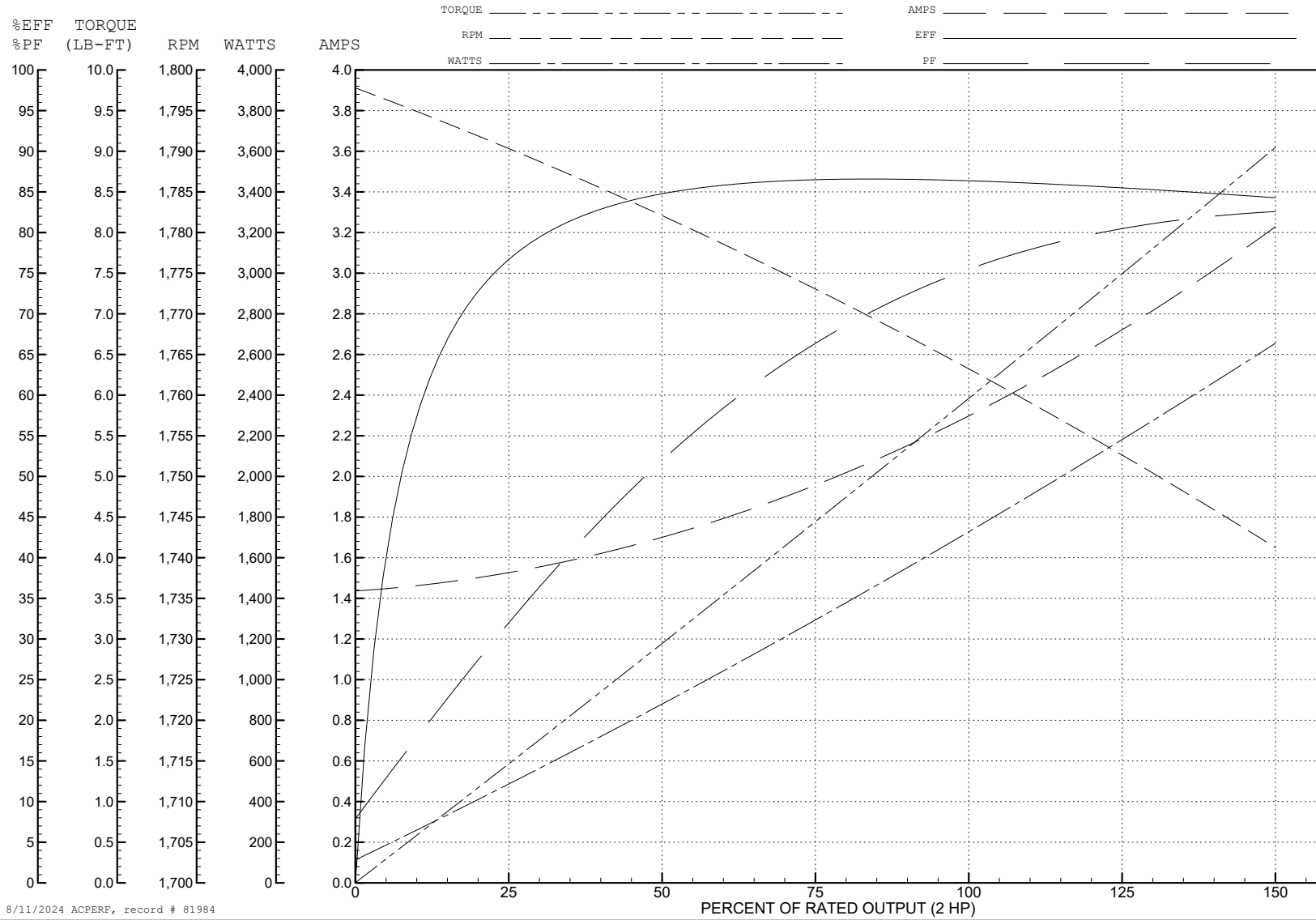
ABB Motors and Mechanical Inc.

WINDING # 05WGX552

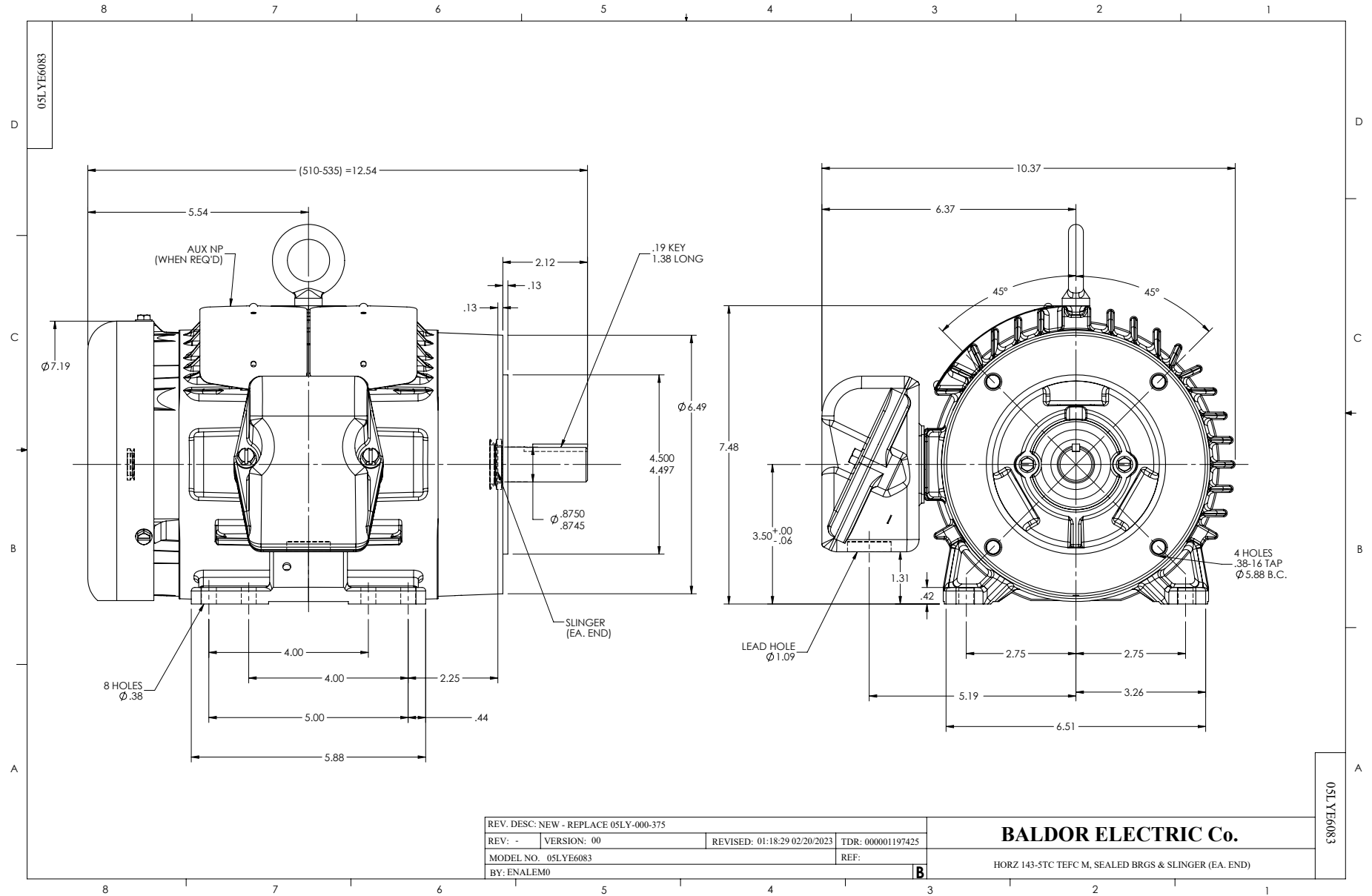
Typical performance - not guaranteed values.

2 HP 3 PH 60 HZ 1764 RPM 575 V 0526M

TORQUES (LB-FT): PO=24.3 PU=11.97 LR=16.23 LRA=18.92



8/11/2024 ACPERF, record # 81984



CD0006



NOTES:

1. THREE LEAD MOTOR MAY BE EITHER WYE CONNECTED OR DELTA CONNECTED.
2. INTERCHANGE ANY TWO LINE LEADS TO REVERSE ROTATION.
3. OPTIONAL THERMOSTATS ARE PROVIDED WHEN SPECIFIED.
4. ACTUAL NUMBER OF INTERNAL PARALLEL CIRCUITS MAY VARY.
5. LEAD COLORS ARE OPTIONAL. LEADS MUST BE NUMBERED AS SHOWN.

CD0006

REV. DESC: ADD CLASS CONN00000007		
REV. LTR: E	VERSION: 01	TDR: 000001099922
FILE: \AAA\00005\141	REVISED: 10:24:49 02/19/2019	BY: ENBRIRO
MTL: -	© □	

BALDOR - RELIANCE®

3PH, SV, 3 LEADS, WYE OR DELTA CONNECTED

SH 1 of 1