

BALDOR • RELIANCE

Customer information packet

CXT30152T-5

1.5HP, 3450RPM, 3PH, 60HZ, 143TC, 0524M, TEFC

Class - CLI GP A,B,C,D

Division - Division II

Specifications

Enclosure	TEFC
Frame	143TC
Frame Material	Iron
Frequency	60.00 Hz
Haz Area Class and Group	CL I GP A,B,C,D
Haz Area Division	Division II
Motor Letter Type	Three Phase
Output @ Frequency	1.500 HP @ 60 HZ
Phase	3
Synchronous Speed @ Frequency	3600 RPM @ 60 HZ
Voltage @ Frequency	575.0 V @ 60 HZ
Agency Approvals	CCSA US CSA EEV NEMA PREMIUM UR
Ambient Temperature	40 °C
Auxillary Box	No Auxillary Box
Auxillary Box Lead Termination	None
Base Indicator	Rigid
Bearing Grease Type	Polyrex EM (-20F +300F)
Blower	None
Constant Torque Speed Range	6
Current @ Voltage	1.600 A @ 575.0 V
Design Code	B
Drip Cover	No Drip Cover
Duty Rating	CONT
Efficiency @ 100% Load	85.5 %
Electrically Isolated Bearing	Not Electrically Isolated
Feedback Device	NO FEEDBACK
Haz Area Temp Code	T4
Heater Indicator	No Heater
High Voltage Full Load Amps	1.6 a

Part detail

Revision	B
Type	AC
Mech. spec.	
Base	
Status	PRD/A
Elec. spec.	05WGX365
Layout	05LY-000-375
Eff. date	11-27-2024
CD Diagram	CD0006
Poles	02
Leads	3#18
Proprietary	False
Created date	05-21-2021

Insulation Class	F
Inverter Code	Inverter Duty
IP Rating	NONE
KVA Code	M
Lifting Lugs	No Lifting Lugs
Locked Bearing Indicator	Locked Bearing
Motor Lead Termination	Flying Leads
Motor Standards	NEMA
Motor Type	0524M
Mounting Arrangement	F1
Number of Poles	2
Overall Length	12.54 IN
Power Factor	83
Product Family	General Purpose
Pulley Face Code	C-Face
Rodent Screen	None
Service Factor	1.00
Shaft Diameter	0.875 IN
Shaft Ground Indicator	No Shaft Grounding
Shaft Rotation	Reversible
Speed	3450 rpm
Speed Code	Single Speed
Starting Method	Direct on line
Thermal Device - Bearing	None
Thermal Device - Winding	None
Vibration Sensor Indicator	No Vibration Sensor
Winding Thermal 1	None
Winding Thermal 2	None

Nameplate

NP4224L

CAT.NO.	CXT30152T-5	I.P.	54
SPEC.	05-0000-0987	ENCL	TEFC
FRAME	143TC	H.P.	1.5
VOLTS	575	P.F.	83
F.L. AMPS	1.6	RATING	40C AMB-CONT
R.P.M.	3450		
HZ.	60	PH.	3
SER.F.	1.00	DES.	B
NEMA NOM. EFF.	85.5	WK2	0.07
DE	6205	ODE	6203
MAG. CUR.	.7		
INV TYPE	PWM	CHP	60
CT	6	TO	60
CC	010A	SN	
	1.15 SF ON SINE WAVE		

AC Induction Motor Performance Data

Record # 48086

Typical performance - not guaranteed values

Winding: 05WGX365-R002		Type: 0524M	Enclosure: TEFC	
Nameplate Data			575 V, 60 Hz: Single Voltage Motor	
Rated Output (HP)	1.5	Full Load Torque	2.43 LB-FT	
Volts	575	Start Configuration	direct on line	
Full Load Amps	1.6	Breakdown Torque	11.8 LB-FT	
R.P.M.	3450	Pull-up Torque	9.34 LB-FT	
Hz	60 Phase	3	Locked-rotor Torque	10.2 LB-FT
NEMA Design Code	B KVA Code	M	Starting Current	15.9 A
Service Factor (S.F.)		1.15	No-load Current	0.719 A
NEMA Nom. Eff.	85.5 Power Factor	83	Line-line Res. @ 25°C	13.1 Ω
Rating - Duty		40C AMB-CONT	Temp. Rise @ Rated Load	34°C
S.F. Amps			Temp. Rise @ S.F. Load	40°C
			Locked-rotor Power Factor	50.6
			Rotor inertia	0.0664 LB-FT ²

Load Characteristics 575 V, 60 Hz, 1.5 HP

% of Rated Load	25	50	75	100	125	150	S.F.
Power Factor	54	72	82	87	90	91	89
Efficiency	74.9	82.5	84.8	85.6	85.1	84.3	85.3
Speed	3564	3539	3513	3484	3455	3425	3467
Line amperes	0.853	1.07	1.33	1.63	1.94	2.28	1.82

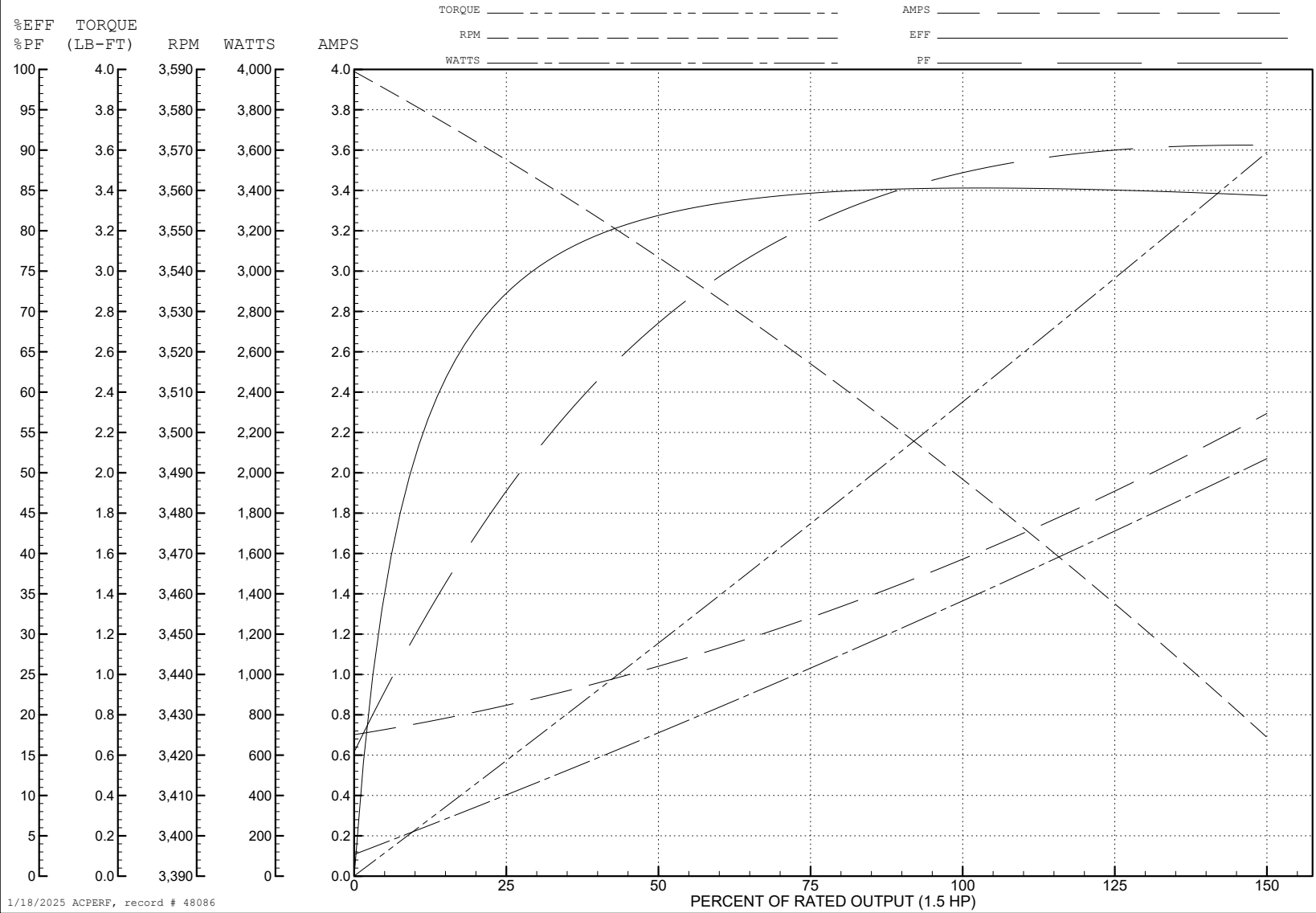
ABB Motors and Mechanical Inc.

WINDING # 05WGX365

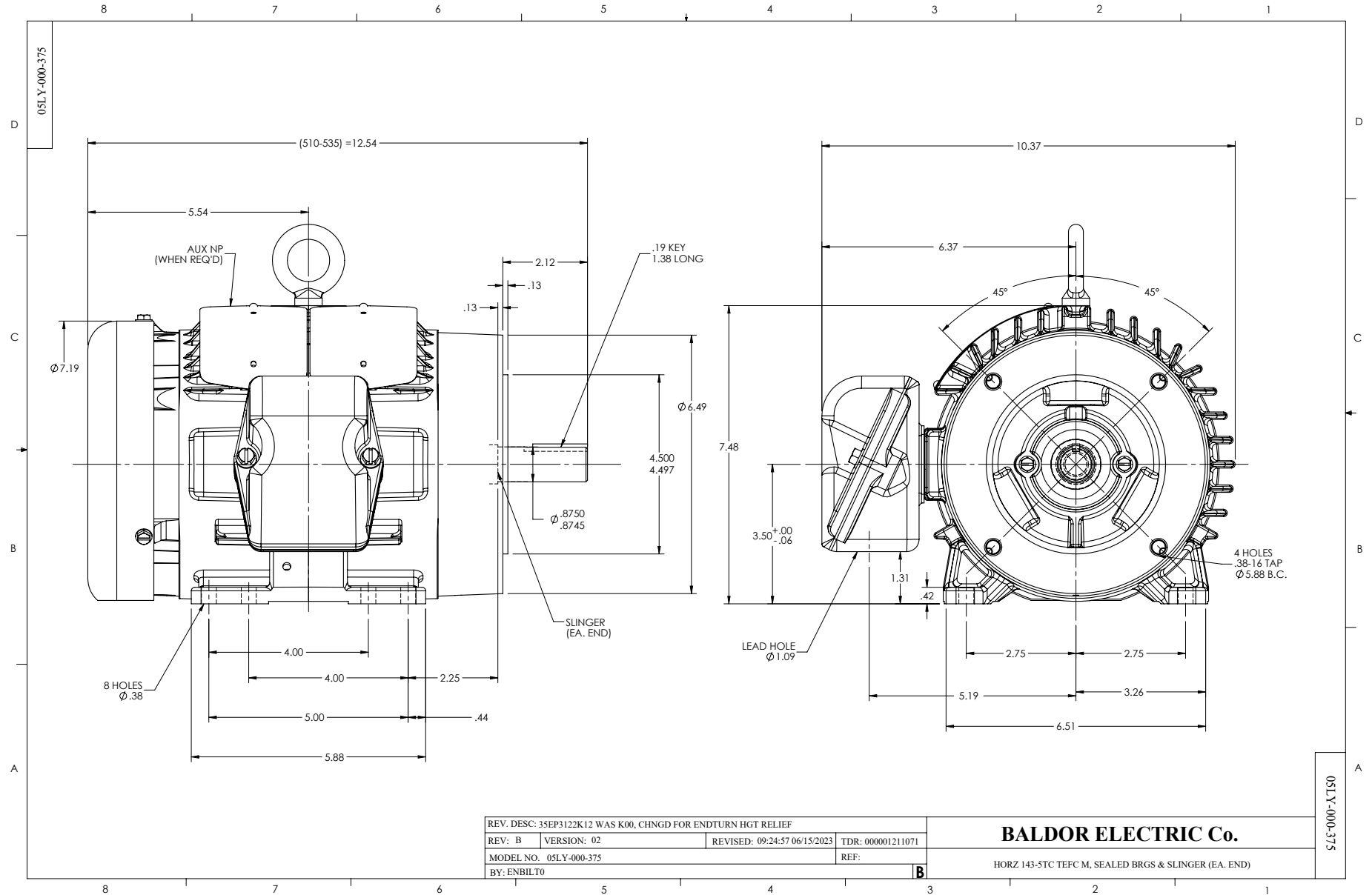
Typical performance - not guaranteed values.

1.5 HP 3 PH 60 HZ 3450 RPM 575 V 0524M

TORQUES (LB-FT): PO=11.8 PU=9.34 LR=10.2 LRA=15.9



1/18/2025 ACPERF, record # 48086



CD0006



NOTES:

1. THREE LEAD MOTOR MAY BE EITHER WYE CONNECTED OR DELTA CONNECTED.
2. INTERCHANGE ANY TWO LINE LEADS TO REVERSE ROTATION.
3. OPTIONAL THERMOSTATS ARE PROVIDED WHEN SPECIFIED.
4. ACTUAL NUMBER OF INTERNAL PARALLEL CIRCUITS MAY VARY.
5. LEAD COLORS ARE OPTIONAL. LEADS MUST BE NUMBERED AS SHOWN.

CD0006

REV. DESC: ADD CLASS CONN00000007		
REV. LTR: E	VERSION: 01	TDR: 000001099922
FILE: \AAA\00005\141	REVISED: 10: 24: 49 02/19/2019	BY: ENBRIRO
MTL: -	© □	

BALDOR - RELIANCE®

3PH, SV, 3 LEADS, WYE OR DELTA CONNECTED

SH 1 of 1