



Customer information packet

CXT3014T

1HP, 1770RPM, 3PH, 60HZ, 143TC, 0522M, TEFC, F1

Class - CLI GP A,B,C,D

Division - Division II

Specifications

Enclosure	TEFC
Frame	143TC
Frame Material	Iron
Frequency	60.00 Hz
Haz Area Class and Group	CL I GP A,B,C,D
Haz Area Division	Division II
Motor Letter Type	Three Phase
Output @ Frequency	1.000 HP @ 60 HZ
Phase	3
Synchronous Speed @ Frequency	1800 RPM @ 60 HZ
Voltage @ Frequency	460.0 V @ 60 HZ 230.0 V @ 60 HZ 208.0 V @ 60 HZ
Agency Approvals	CCSA US CSA EEV NEMA PREMIUM UR
Ambient Temperature	40 °C
Auxillary Box	No Auxillary Box
Auxillary Box Lead Termination	None
Base Indicator	Rigid
Bearing Grease Type	Polyrex EM (-20F +300F)
Blower	None
Constant Torque Speed Range	3
Current @ Voltage	3.400 A @ 230.0 V 3.300 A @ 208.0 V 3.200 A @ 208.0 V 1.700 A @ 460.0 V
Design Code	B
Drip Cover	No Drip Cover
Duty Rating	CONT
Efficiency @ 100% Load	85.5 %

Part detail

Revision	A
Type	AC
Mech. spec.	05E6083
Base	
Status	PRD/A
Elec. spec.	05WGX903
Layout	05LYE6083
Eff. date	06-28-2024
CD Diagram	CD0005
Poles	04
Leads	9#18 Y
Proprietary	False
Created date	02-20-2023

Electrically Isolated Bearing	Not Electrically Isolated
Feedback Device	NO FEEDBACK
Front Shaft Indicator	None
Haz Area Temp Code	T4
Heater Indicator	No Heater
High Voltage Full Load Amps	1.7 a
Insulation Class	F
Inverter Code	Inverter Ready
KVA Code	N
Lifting Lugs	No Lifting Lugs
Locked Bearing Indicator	Locked Bearing
Motor Lead Quantity/Wire Size	9 @ 18 AWG
Motor Lead Termination	Flying Leads
Motor Standards	NEMA
Motor Type	0522M
Mounting Arrangement	F1
Number of Poles	4
Overall Length	12.54 IN
Power Factor	69
Product Family	General Purpose
Pulley End Bearing Type	Sealed Bearing
Pulley Face Code	C-Face
Pulley Shaft Indicator	Standard
Rodent Screen	None
Service Factor	1.15
Shaft Diameter	0.875 IN
Shaft Ground Indicator	No Shaft Grounding
Shaft Rotation	Reversible
Shaft Slinger Indicator	No Slinger
Speed	1770 rpm
Speed Code	Single Speed
Starting Method	Direct on line
Thermal Device - Bearing	None
Thermal Device - Winding	None

Vibration Sensor Indicator**No Vibration Sensor****Winding Thermal 1****None****Winding Thermal 2****None**

Nameplate

NP4163L										
CAT.NO.	CXT3014T					I.P.	54			
SPEC.	05E6083X903					ENCL	TEFC			
FRAME	143TC		H.P.	1						
VOLTS	208-230/460		P.F.	69						
F.L. AMPS	3.3-3.4/1.7		RATING	40C AMB-CONT						
R.P.M.	1770									
HZ.	60		PH.	3		CLASS	F			
SER.F.	1.15		DES.	B		SL HZ	0.97			
NEMA NOM. EFF.	85.5		WK2	0.159						
DE	6205		ODE	6203						
MAG. CUR.	1-2.4/1.2									
INV TYPE	PWM	CHP	60	TO	90	T. CODE	T4			
CT	3	TO	60	VT	3	TO	60			
CC	010A		SN							
SFA 3.6/1.8										
USABLE AT 50 HZ .75HP 190/380V										

AC Induction Motor Performance Data

Record # 47106

Typical performance - not guaranteed values

Winding: 05WGX014-R050		Type: 0524M		Enclosure: TEFC	
Nameplate Data			460 V, 60 Hz: High Voltage Connection		
Rated Output (HP)	1	Full Load Torque	2.99 LB-FT		
Volts	208-230/460	Start Configuration	direct on line		
Full Load Amps	3.3-3/1.5	Breakdown Torque	15.8 LB-FT		
R.P.M.	1765	Pull-up Torque	9.1 LB-FT		
Hz	60 Phase	3	Locked-rotor Torque	11 LB-FT	
NEMA Design Code	B KVA Code	N	Starting Current	15 A	
Service Factor (S.F.)		1.15	No-load Current	1.02 A	
NEMA Nom. Eff.	87.5 Power Factor	70	Line-line Res. @ 25°C	12 Ω	
Rating - Duty		40C AMB-CONT	Temp. Rise @ Rated Load	21°C	
S.F. Amps			Temp. Rise @ S.F. Load	26°C	

Load Characteristics 460 V, 60 Hz, 1 HP

% of Rated Load	25	50	75	100	125	150	S.F.
Power Factor	28	48	60	70	77	81	74
Efficiency	74.8	84.4	87	87.9	87.7	87.3	87.8
Speed	1793	1785	1778	1770	1761	1753	1765
Line amperes	1.07	1.18	1.33	1.53	1.76	2	1.67

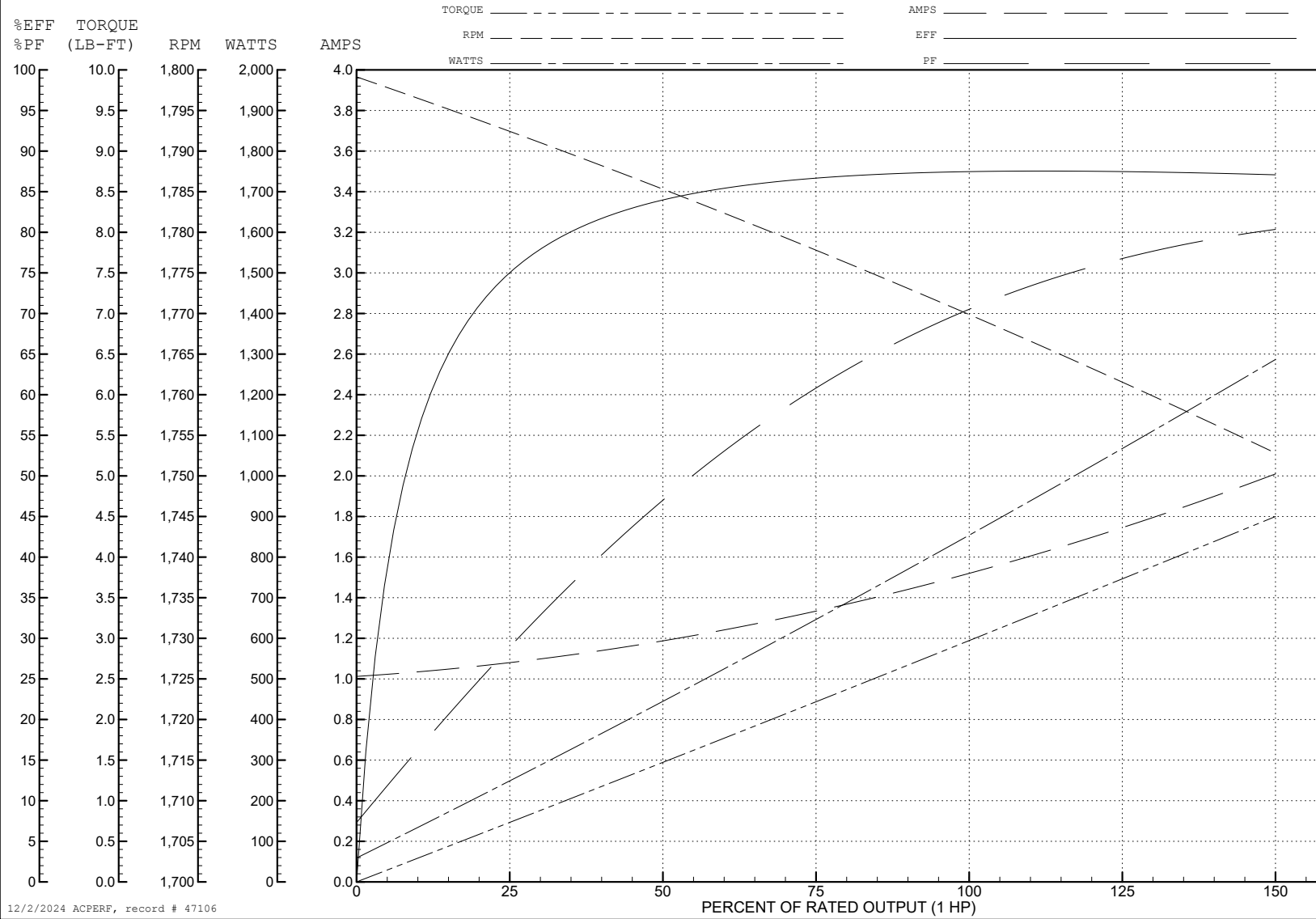
ABB Motors and Mechanical Inc.

WINDING # 05WGX014

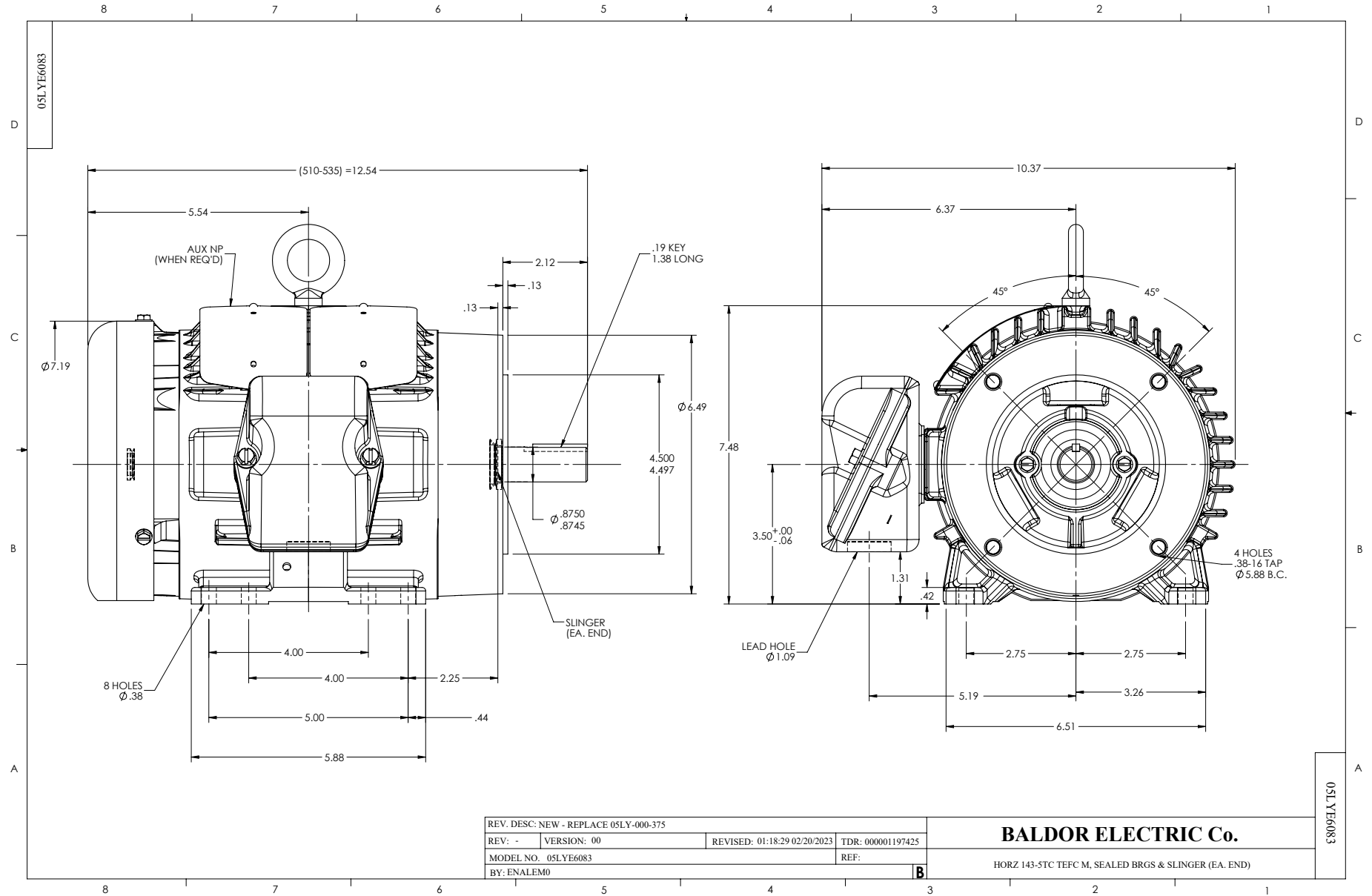
1 HP 3 PH 60 HZ 1765 RPM 460 V 0524M

Typical performance - not guaranteed values.

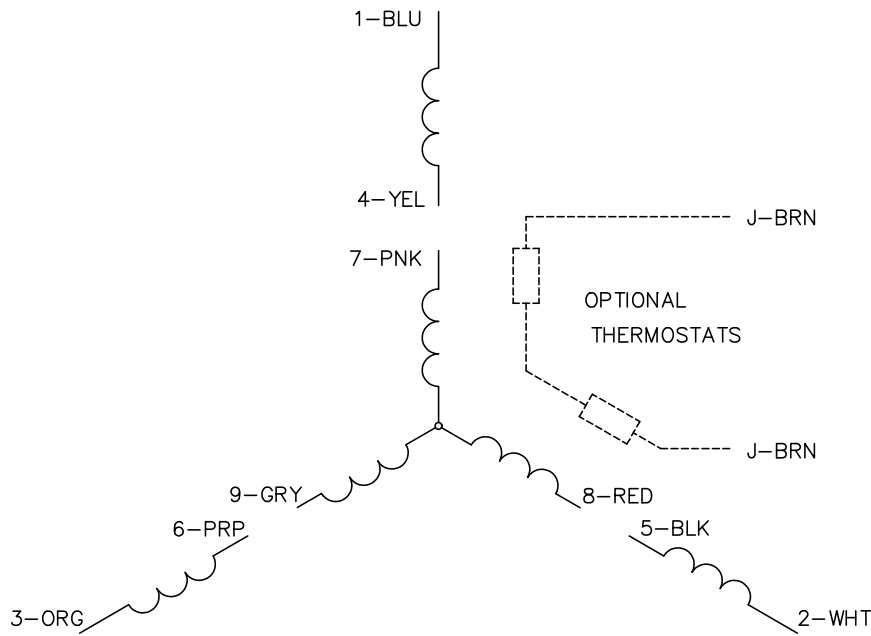
TORQUES (LB-FT): PO=15.8 PU=9.1 LR=11 LRA=15



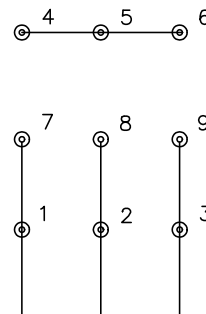
12/2/2024 ACPERF, record # 47106



CD0005

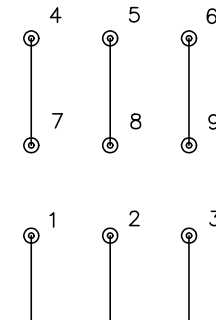


LOW VOLTAGE
(2Y)



LINE

HIGH VOLTAGE
(1Y)



LINE

NOTES:

1. INTERCHANGE ANY TWO LINE LEADS TO REVERSE ROTATION.
2. OPTIONAL THERMOSTATS ARE PROVIDED WHEN SPECIFIED.
3. ACTUAL NUMBER OF INTERNAL PARALLEL CIRCUITS MAY BE A MULTIPLE OF THOSE SHOWN ABOVE.
4. LEAD COLORS ARE OPTIONAL. LEADS MUST ALWAYS BE NUMBERED AS SHOWN.

CD0005

REV. DESC: REVISE TO SHOW OPTIONAL COLORS			
REV. LTR: E	BY: JLP	REVISED: 01/19/99 10:15	TDR: 0171435
S00000		FILE: AAA00005140	MDL: -
		MTL: -	

BALDOR ELECTRIC Co.

3PH, DV, 9 LEADS