



Customer information packet

CXT3014T-5

1HP, 1770RPM, 3PH, 60HZ, 143TC, 0520M, TEFC, F1

Class - CLI GP A,B,C,D

Division - Division II

Specifications

Enclosure	TEFC
Frame	143TC
Frame Material	Iron
Frequency	60.00 Hz
Haz Area Class and Group	CLI GP A,B,C,D
Haz Area Division	Division II
Motor Letter Type	Three Phase
Output @ Frequency	1.000 HP @ 60 HZ
Phase	3
Synchronous Speed @ Frequency	1800 RPM @ 60 HZ
Voltage @ Frequency	575.0 V @ 60 HZ
Agency Approvals	CCSA US CSA EEV NEMA PREMIUM NEMA_PREMIUM UR
Ambient Temperature	40 °C
Auxillary Box	No Auxillary Box
Auxillary Box Lead Termination	None
Base Indicator	Rigid
Bearing Grease Type	Polyrex EM (-20F +300F)
Blower	None
Constant Torque Speed Range	3
Current @ Voltage	1.200 A @ 575.0 V
Design Code	B
Drip Cover	No Drip Cover
Duty Rating	CONT
Efficiency @ 100% Load	85.5 %
Electrically Isolated Bearing	Not Electrically Isolated
Feedback Device	NO FEEDBACK
Front Shaft Indicator	None
Haz Area Temp Code	T4

Part detail

Revision	A
Type	AC
Mech. spec.	05E6083
Base	
Status	PRD/A
Elec. spec.	05WGX567
Layout	05LYE6083
Eff. date	11-27-2024
CD Diagram	CD0006
Poles	04
Leads	3#18
Proprietary	False
Created date	12-20-2023

Heater Indicator	No Heater
High Voltage Full Load Amps	1.2 a
Insulation Class	F
Inverter Code	Inverter Duty
KVA Code	M
Lifting Lugs	No Lifting Lugs
Locked Bearing Indicator	Locked Bearing
Motor Lead Quantity/Wire Size	3 @ 18 AWG
Motor Lead Termination	Flying Leads
Motor Standards	NEMA
Motor Type	0520M
Mounting Arrangement	F1
Number of Poles	4
Overall Length	12.54 IN
Power Factor	72
Product Family	General Purpose
Pulley End Bearing Type	Sealed Bearing
Pulley Face Code	C-Face
Pulley Shaft Indicator	Standard
Rodent Screen	None
Service Factor	1.15
Shaft Diameter	0.875 IN
Shaft Ground Indicator	No Shaft Grounding
Shaft Rotation	Reversible
Shaft Slinger Indicator	No Slinger
Speed	1770 rpm
Speed Code	Single Speed
Starting Method	Direct on line
Thermal Device - Bearing	None
Thermal Device - Winding	None
Vibration Sensor Indicator	No Vibration Sensor
Winding Thermal 1	None
Winding Thermal 2	None

Nameplate

NP4224L									
CAT.NO.	CXT3014T-5				I.P.	54			
SPEC.	05E6083X567G1				ENCL	TEFC			
FRAME	143TC	H.P.	1	T. CODE	T4				
VOLTS	575		P.F.	72					
F.L. AMPS	1.2		RATING	40C AMB-CONT					
R.P.M.	1770								
HZ.	60	PH.	3	CLASS	F				
SER.F.	1.15	DES.	B	SL HZ	1				
NEMA NOM. EFF.	85.5		WK2	0.144					
DE	6205		ODE	6203					
MAG. CUR.	.77								
INV TYPE	PWM	CHP	60	TO	90	INV TEMP CODE	T4		
CT	3	TO	60	VT	3	TO	60		
CC	010A		SN						
	1.15 SF ON SINE WAVE								
	SFA 1.33								

AC Induction Motor Performance Data

Record # 89185

Typical performance - not guaranteed values

Winding: 05WGX567-R003		Type: 0520M		Enclosure: TEFC	
Nameplate Data			575 V, 60 Hz: Single Voltage Motor		
Rated Output (HP)	1	Full Load Torque	2.96 LB-FT		
Volts	575	Start Configuration	direct on line		
Full Load Amps	1.2	Breakdown Torque	11.89 LB-FT		
R.P.M.	1770	Pull-up Torque	7.42 LB-FT		
Hz	60	Locked-rotor Torque	9.63 LB-FT		
NEMA Design Code	B	Starting Current	10.72 A		
Service Factor (S.F.)	1.15	No-load Current	0.768 A		
NEMA Nom. Eff.	85.5	Line-line Res. @ 25°C	32.1 Ω		
Rating - Duty	40C	Temp. Rise @ Rated Load	31°C		
S.F. Amps	AMB-CONT	Temp. Rise @ S.F. Load	37°C		
		Locked-rotor Power Factor	62.9842		
		Rotor inertia	0.144 lb-ft ²		

Load Characteristics 575 V, 60 Hz, 1 HP

% of Rated Load	25	50	75	100	125	150	S.F.
Power Factor	33	51	64	72	78	82	76
Efficiency	72.5	82.2	85.1	85.4	85.1	84	85.2
Speed	1792	1784	1776	1768	1758	1748	1762
Line amperes	0.803	0.9	1.04	1.21	1.41	1.63	1.33

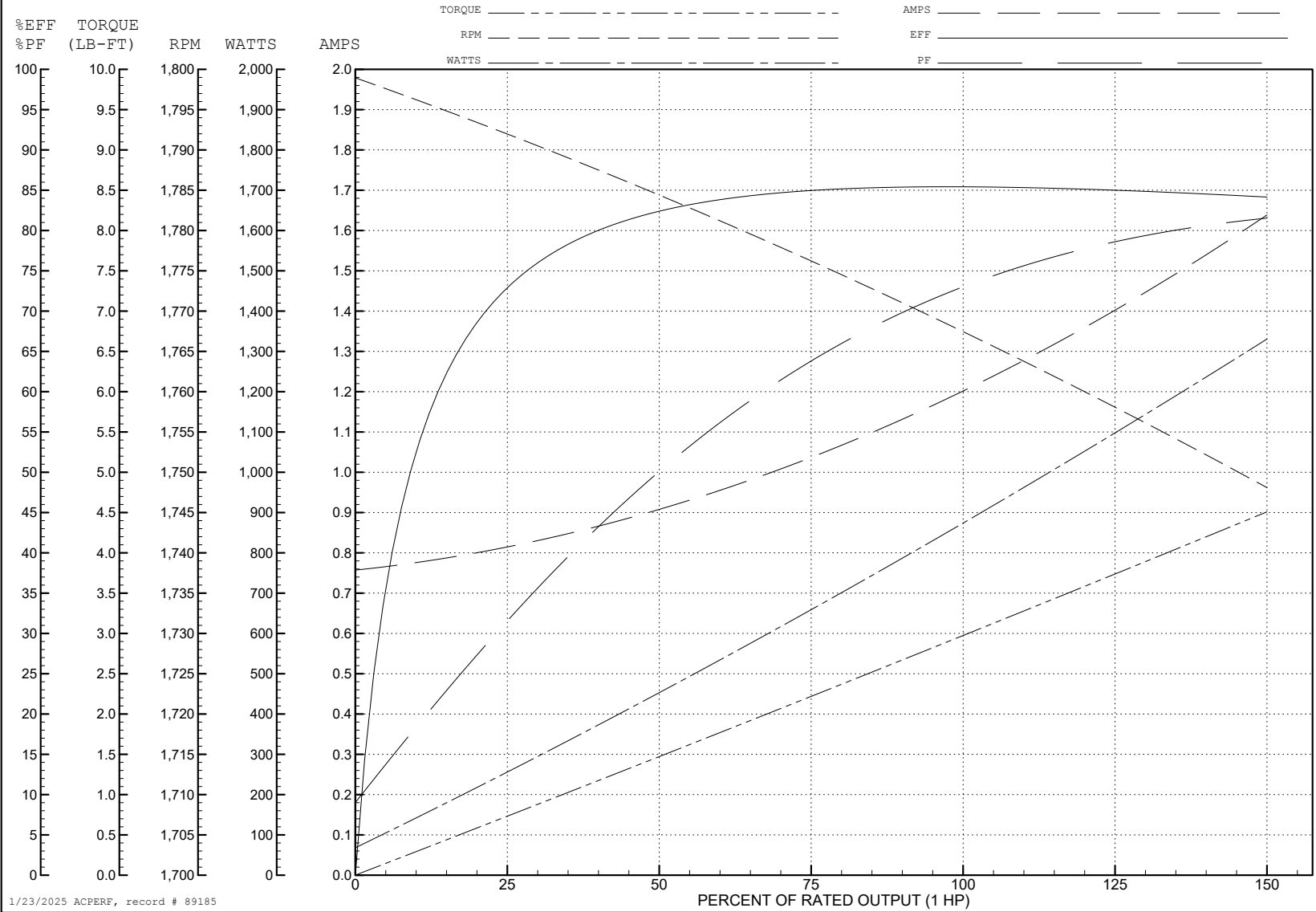
ABB Motors and Mechanical Inc.

WINDING # 05WGX567

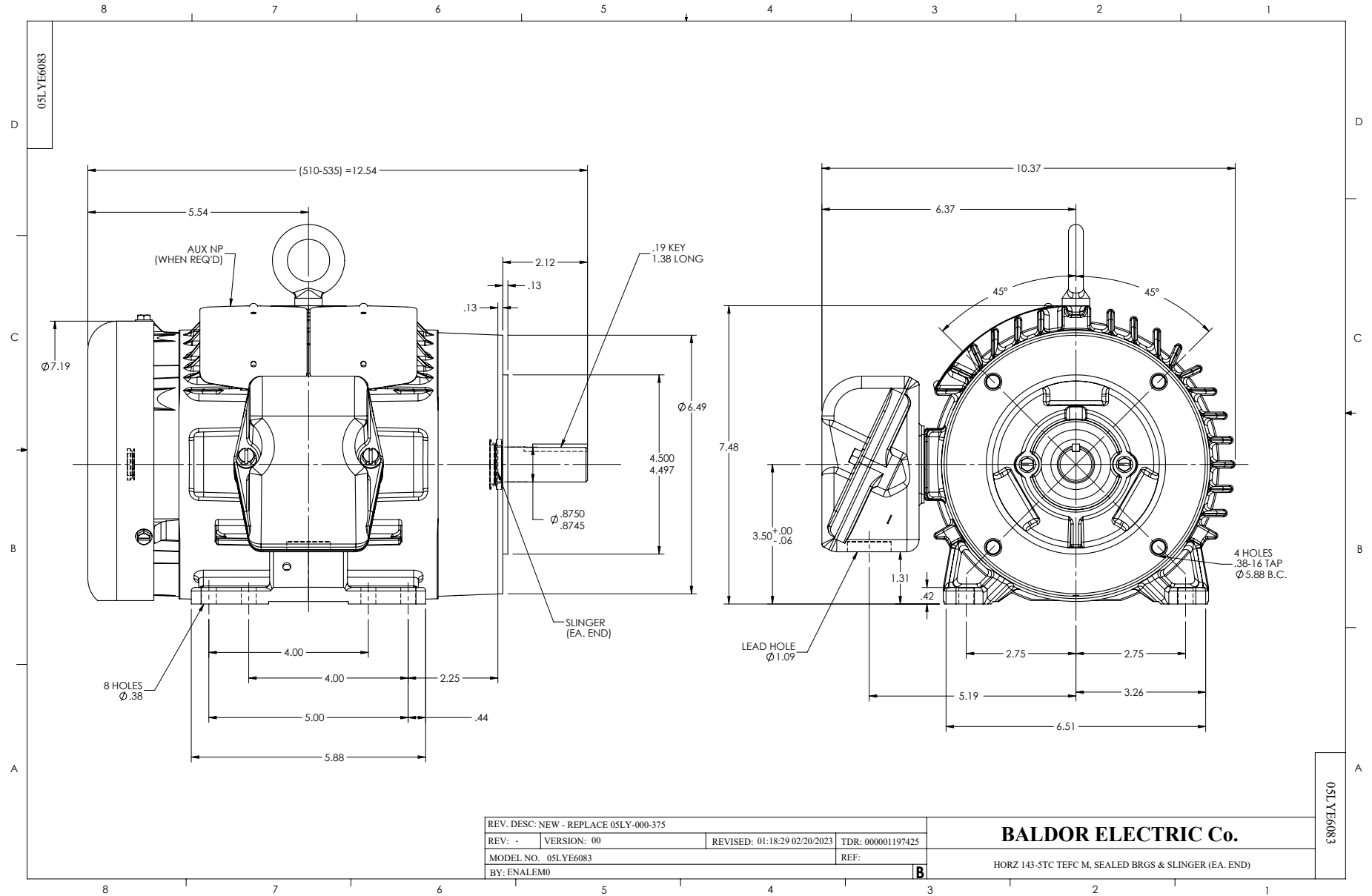
Typical performance - not guaranteed values.

1 HP 3 PH 60 HZ 1770 RPM 575 V 0520M

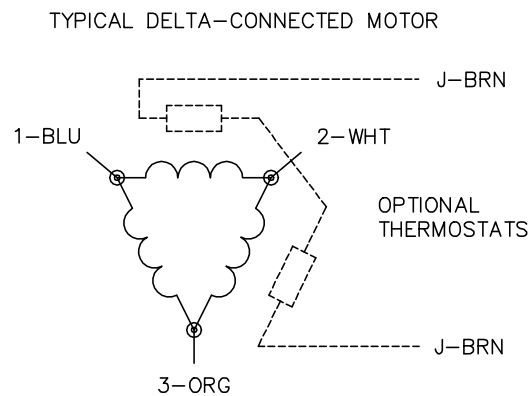
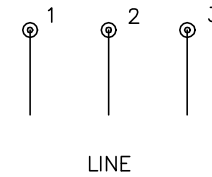
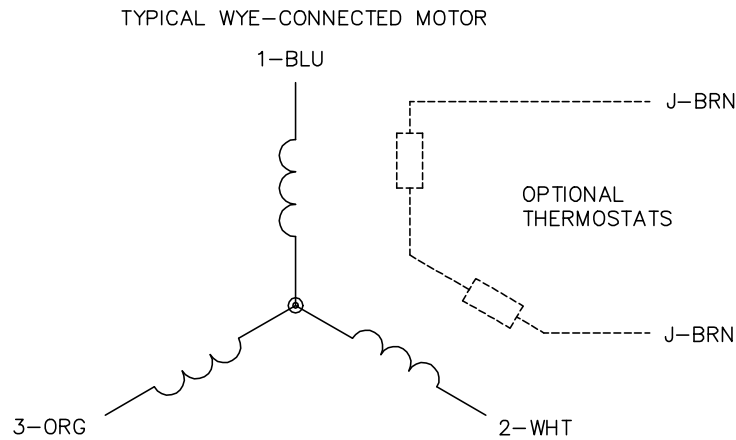
TORQUES (LB-FT): PO=11.89 PU=7.42 LR=9.63 LRA=10.72



1/23/2025 ACPERF, record # 89185



CD0006



NOTES:

1. THREE LEAD MOTOR MAY BE EITHER WYE CONNECTED OR DELTA CONNECTED.
2. INTERCHANGE ANY TWO LINE LEADS TO REVERSE ROTATION.
3. OPTIONAL THERMOSTATS ARE PROVIDED WHEN SPECIFIED.
4. ACTUAL NUMBER OF INTERNAL PARALLEL CIRCUITS MAY VARY.
5. LEAD COLORS ARE OPTIONAL. LEADS MUST BE NUMBERED AS SHOWN.

CD0006

REV. DESC: ADD CLASS CONN00000007		
REV. LTR: E	VERSION: 01	TDR: 000001099922
FILE: \AAA\00005\141	REVISED: 10:24:49 02/19/2019	BY: ENBRIRO
MTL: -	© □	

BALDOR - RELIANCE®

3PH, SV, 3 LEADS, WYE OR DELTA CONNECTED

SH 1 of 1