

BALDOR • RELIANCE

Customer information packet

CXM32442T

40//30HP, 1775//1480RPM, 3PH, 60//50HZ, 324T

Class - CLI GP D; CLII GP F,G

Division - Division I

Specifications

Enclosure	XPFC
Frame	324TC
Frame Material	Iron
Frequency	50.00 Hz 60.00 Hz
Haz Area Class and Group	CLI GP D; CLII GP F,G
Haz Area Division	Division I
Motor Letter Type	Three Phase
Output @ Frequency	30.000 HP @ 50 HZ 40.000 HP @ 60 HZ
Phase	3
Synchronous Speed @ Frequency	1800 RPM @ 60 HZ
Voltage @ Frequency	380.0 V @ 50 HZ 230.0 V @ 60 HZ 190.0 V @ 50 HZ 460.0 V @ 60 HZ
Agency Approvals	CSA EEV UL
Ambient Temperature	40 °C
Auxillary Box	No Auxillary Box
Auxillary Box Lead Termination	None
Base Indicator	Rigid
Bearing Grease Type	Polyrex EM (-20F +300F)
Blower	None
Constant Torque Speed Range	6
Current @ Voltage	96.000 A @ 230.0 V 90.000 A @ 190.0 V 48.000 A @ 460.0 V 45.000 A @ 380.0 V 102.000 A @ 208.0 V
Design Code	A
Drip Cover	No Drip Cover

Part detail

Revision	D
Type	AC
Mech. spec.	
Base	
Status	PRD/A
Elec. spec.	12WGY276
Layout	12LY-000-644
Eff. date	11-05-2024
CD Diagram	CD0180
Poles	04
Leads	9#8
Proprietary	False
Created date	02-17-2021

Duty Rating	CONT
Efficiency @ 100% Load	94.1 %
Electrically Isolated Bearing	Not Electrically Isolated
Feedback Device	NO FEEDBACK
Haz Area Temp Code	T3C
Heater Indicator	No Heater
High Voltage Full Load Amps	45.0 a
Insulation Class	F
Inverter Code	Inverter Duty
IP Rating	NONE
KVA Code	H
Lifting Lugs	Standard Lifting Lugs
Locked Bearing Indicator	Locked Bearing
Max Speed	2700 rpm
Motor Lead Termination	Flying Leads
Motor Standards	NEMA
Motor Type	1254M
Mounting Arrangement	F1
Number of Poles	4
Overall Length	32.00 IN
Power Factor	82
Product Family	Hazardous Location Motor
Pulley Face Code	C-Face
Rodent Screen	None
Service Factor	1.15
Shaft Diameter	2.125 IN
Shaft Ground Indicator	No Shaft Grounding
Shaft Rotation	Reversible
Speed	1775 rpm
Speed Code	Single Speed
Starting Method	Direct on line
Thermal Device - Bearing	None
Thermal Device - Winding	Normally Closed Thermostat
Vibration Sensor Indicator	No Vibration Sensor

Winding Thermal 1	None
Winding Thermal 2	None

Nameplate

NP0887XPSLEV

NO.		CC	010A		
S/N		TEMP CODE	T3C		
SPEC.	12-0000-2029	INV.TYPE	PWM		
CAT.NO.	CXM32442T	C HP FR	60	C HP TO	90
HP	40//30	CT HZ FROM	6	CT HZ TO	60
VOLTS	230/460//190/380	VT HZ FROM	6	VT HZ TO	60
AMPS	96/48//90/45	MAG CUR	39/19.5		
RPM	1775//1480	MX RPM	2700		
HZ	60//50	PH	3	CL	F
		NOM.EFF.	94.1		
SER.F.	1.15	DES	A	SL HZ	0.83
		WK2	7.19		
FRAME	324TC	RATING	40C AMB-CONT		
	NEMA MG-1 PART 5, IP54				
	1.15 SF ON SINE WAVE				

AC Induction Motor Performance Data

Record # 43813

Typical performance - not guaranteed values

Winding: 12WGY276-R023		Type: 1254M		Enclosure: XPFC	
Nameplate Data			460 V, 60 Hz: High Voltage Connection		
Rated Output (HP)	40		Full Load Torque	118 LB-FT	
Volts	230/460		Start Configuration	direct on line	
Full Load Amps	96/48		Breakdown Torque	386 LB-FT	
R.P.M.	1775		Pull-up Torque	193 LB-FT	
Hz	60 Phase	3	Locked-rotor Torque	216 LB-FT	
NEMA Design Code	A	KVA Code	H	Starting Current	338 A
Service Factor (S.F.)	1		No-load Current	19.9 A	
NEMA Nom. Eff.	94.1	Power Factor	82	Line-line Res. @ 25°C	0.14898 Ω
Rating - Duty	40C AMB-CONT		Temp. Rise @ Rated Load	54°C	
			Locked-rotor Power Factor	27	
			Rotor inertia	7.19 LB-FT ²	

Load Characteristics 460 V, 60 Hz, 40 HP

% of Rated Load	25	50	75	100	125	150
Power Factor	47	69	78	83	85	85
Efficiency	90.1	93.5	94.2	94.2	93.8	93.1
Speed	1793.5	1788	1782.5	1776.6	1770.7	1764.1
Line amperes	22.9	29.5	38.4	48.1	59.2	70.8

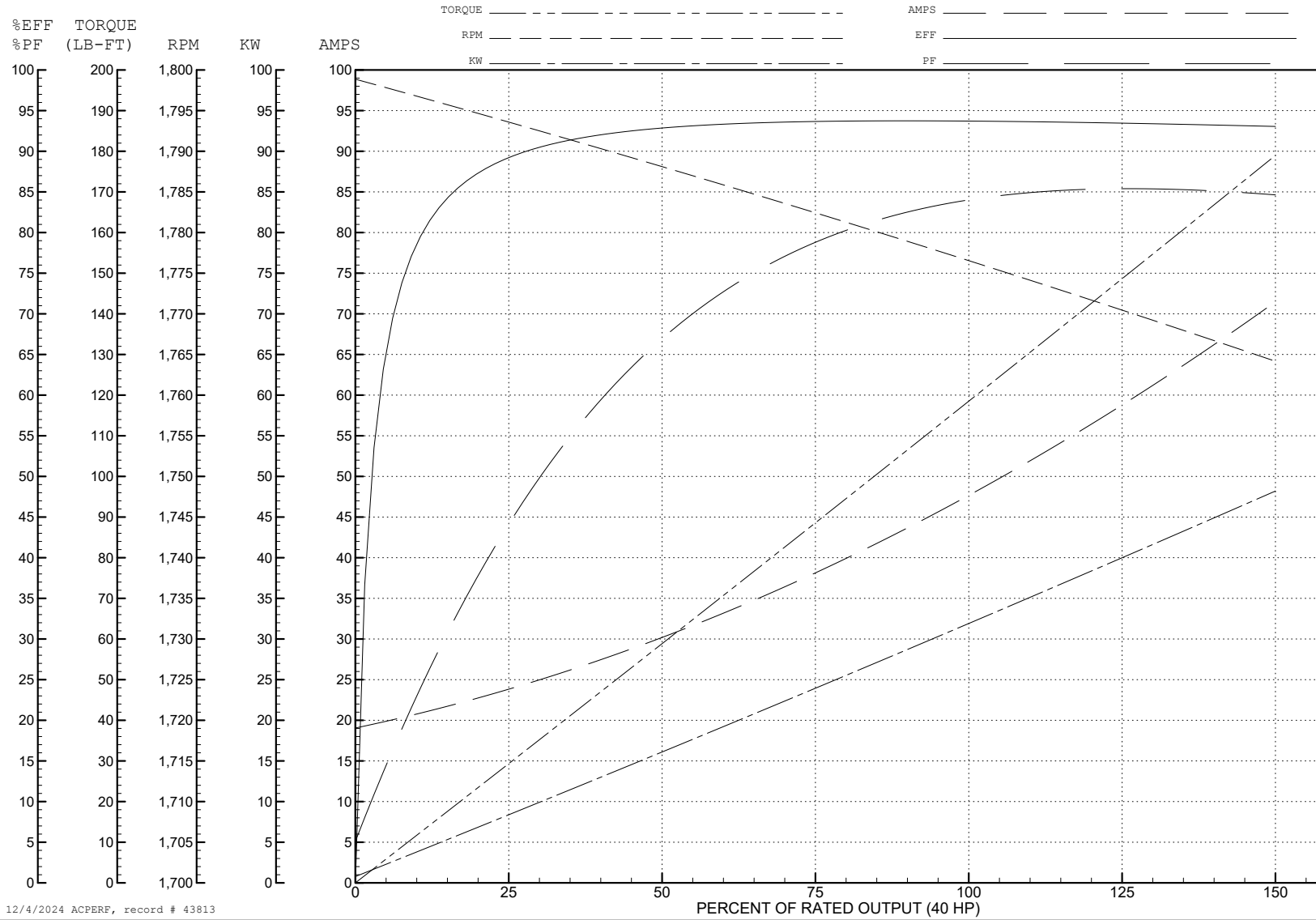
ABB Motors and Mechanical Inc.

WINDING # 12WGY276

Typical performance - not guaranteed values.

40 HP 3 PH 60 HZ 1775 RPM 460 V 1254M

TORQUES (LB-FT): PO=386 PU=193 LR=216 LRA=338



12/4/2024 ACPERF, record # 43813

AC Induction Motor Performance Data

Record # 75684

Typical performance - not guaranteed values

Winding: 12WGY276-R040		Type: 1254M		Enclosure: XPFC	
Nameplate Data			380 V, 50 Hz: High Voltage Connection		
Rated Output (HP)	40//30		Full Load Torque	107 LB-FT	
Volts	230/460//190/380		Start Configuration	direct on line	
Full Load Amps	96/48//90/45		Breakdown Torque	383 LB-FT	
R.P.M.	1775//1480		Pull-up Torque	208 LB-FT	
Hz	60//50	Phase	3	Locked-rotor Torque	233 LB-FT
NEMA Design Code	A KVA Code		H	Starting Current	340 A
Service Factor (S.F.)			1	No-load Current	20.49 A
NEMA Nom. Eff.	94.1	Power Factor	82	Line-line Res. @ 25°C	0.145 Ω
Rating - Duty	40C AMB-CONT			Temp. Rise @ Rated Load	47°C
S.F. Amps				Temp. Rise @ S.F. Load	57°C
				Locked-rotor Power Factor	30.4
				Rotor inertia	7.19 LB-FT ²

Load Characteristics 380 V, 50 Hz, 30 HP

% of Rated Load	25	50	75	100	125	150
Power Factor	42	65	75	81	83	85
Efficiency	89.7	93.3	94	94	93.5	92.5
Speed	1495	1489	1485	1479	1474	1469
Line amperes	22.95	28.58	36.28	44.78	54.64	64.99

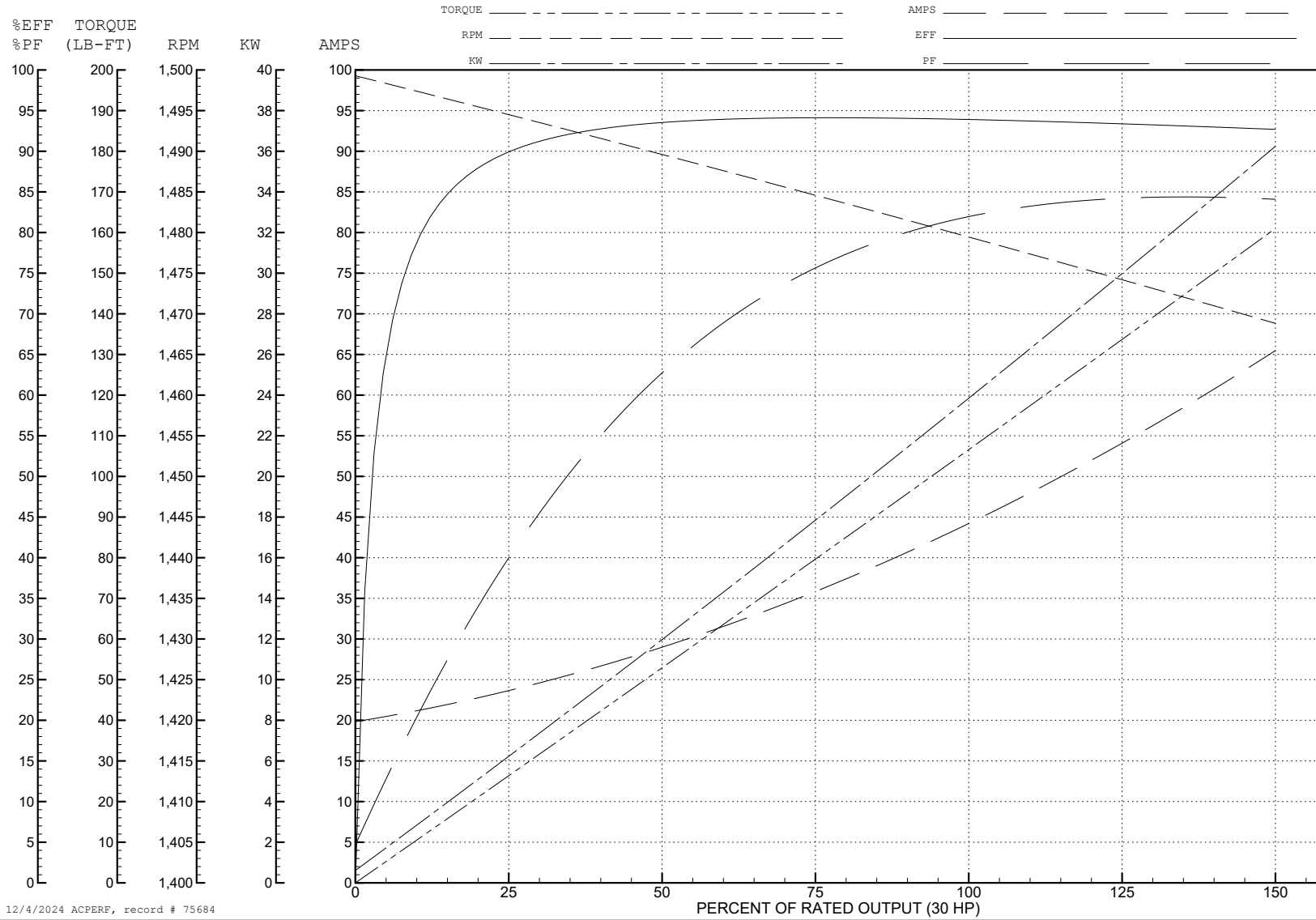
ABB Motors and Mechanical Inc.

WINDING # 12WGY276

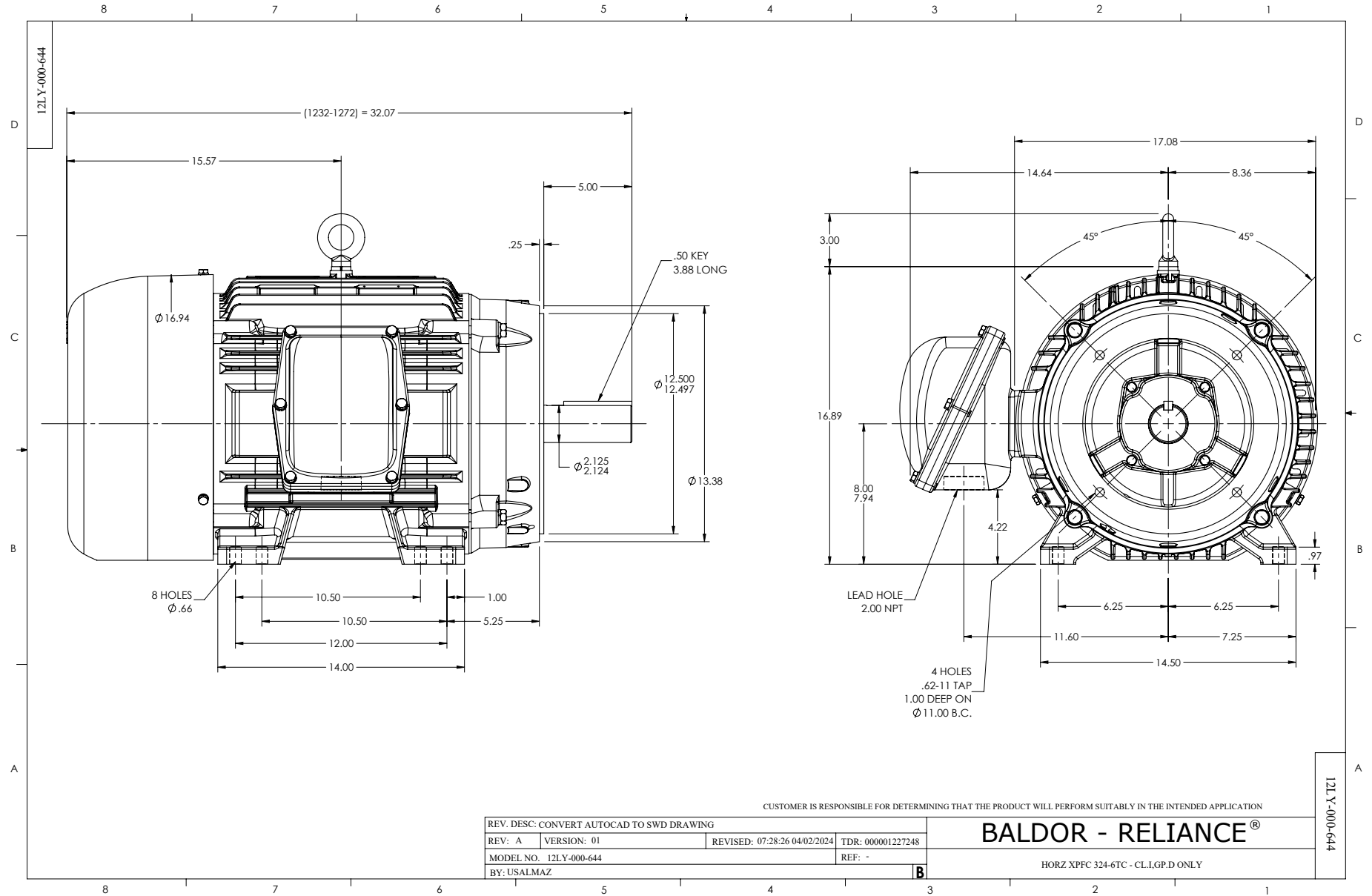
Typical performance - not guaranteed values.

30 HP 3 PH 50 HZ 1479 RPM 380 V 1254M

TORQUES (LB-FT): PO=383 PU=208 LR=233 LRA=340



12/4/2024 ACPERF, record # 75684



CUSTOMER IS RESPONSIBLE FOR DETERMINING THAT THE PRODUCT WILL PERFORM SUITABLY IN THE INTENDED APPLICATION

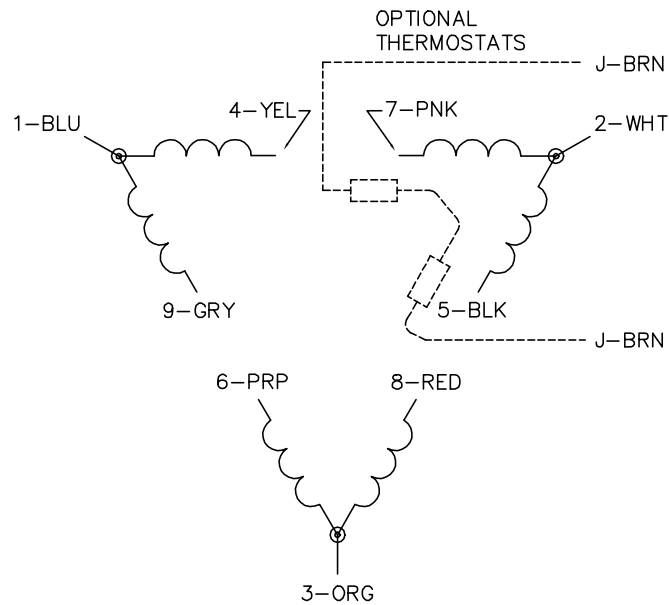
REV. DESC: CONVERT AUTOCAD TO SWD DRAWING			
REV: A	VERSION: 01	REVISED: 07:28:26 04/02/2024	TDR: 000001227248
MODEL NO. 12LY-000-644		REF: -	
BY: USALMAZ		B	

BALDOR - RELIANCE®

HORZ XPFC 324-6TC - CL.I.GP.D ONLY

12LY-000-644

CD0180



LOW VOLTAGE
(2D)



HIGH VOLTAGE
(1D)



NOTES:

1. INTERCHANGE ANY TWO LINE LEADS TO REVERSE ROTATION.
2. OPTIONAL THERMOSTATS ARE PROVIDED WHEN SPECIFIED.
3. ACTUAL NUMBER OF INTERNAL PARALLEL CIRCUITS MAY BE A MULTIPLE OF THOSE SHOWN ABOVE.
4. LEAD COLORS ARE OPTIONAL. LEADS MUST ALWAYS BE NUMBERED AS SHOWN.

CD0180

REV. DESC: ADD CLASS CONN00000007		
REV. LTR: D	VERSION: 01	TDR: 000001099922
FILE: \AAA\00005\148	REVISED: 10: 25: 29 02/19/2019	BY: ENBRIRO
MTL: -	© □	

BALDOR - RELIANCE®

3PH, DV, 9 LEADS, DELTA CONNECTION

SH 1 of 1