



Customer information packet

CXM05142-57

1HP, 1425RPM, 3PH, 50HZ, 56C, 3432M, XPFC, F1, N
Class - CLI GP D; CLII GP F,G
Division - Division I

Specifications

Enclosure	XPFC
Frame	56C
Frame Material	Steel
Frequency	50.00 Hz
Motor Letter Type	Three Phase
Output @ Frequency	1.000 HP @ 50 HZ
Phase	3
Synchronous Speed @ Frequency	1500 RPM @ 50 HZ
Voltage @ Frequency	230.0 V @ 50 HZ 400.0 V @ 50 HZ
XP Class and Group	CLI GP D; CLII GP F,G
XP Division	Division I
Agency Approvals	CSA UL
Ambient Temperature	40 °C
Auxillary Box	No Auxillary Box
Auxillary Box Lead Termination	None
Base Indicator	Rigid
Bearing Grease Type	Polyrex EM (-20F +300F)
Blower	None
Current @ Voltage	2.000 A @ 400.0 V 3.450 A @ 230.0 V
Design Code	B
Drip Cover	No Drip Cover
Duty Rating	CONT
Efficiency @ 100% Load	74.0 %
Electrically Isolated Bearing	Not Electrically Isolated
Feedback Device	NO FEEDBACK
Heater Indicator	No Heater
High Voltage Full Load Amps	2.0 a
Insulation Class	F
Inverter Code	Not Inverter

Part detail

Revision	A
Type	AC
Mech. spec.	
Base	
Status	PRD/A
Elec. spec.	34WGX455
Layout	34LY5329
Eff. date	07-01-2022
CD Diagram	CD0022
Poles	04
Leads	6#18
Proprietary	False
Created date	05-12-2021

IP Rating	NONE
KVA Code	K
Lifting Lugs	No Lifting Lugs
Locked Bearing Indicator	No Locked Bearing
Motor Lead Termination	Flying Leads
Motor Standards	NEMA
Motor Type	3432M
Mounting Arrangement	F1
Number of Poles	4
Overall Length	15.22 IN
Power Factor	76
Product Family	Hazardous Location Motor
Pulley Face Code	C-Face
Rodent Screen	None
Service Factor	1.15
Shaft Diameter	0.625 IN
Shaft Ground Indicator	No Shaft Grounding
Shaft Rotation	Reversible
Speed	1425 rpm
Speed Code	Single Speed
Starting Method	Direct on line
Thermal Device - Bearing	None
Thermal Device - Winding	Normally Closed Thermostat
Vibration Sensor Indicator	No Vibration Sensor
Winding Thermal 1	None
Winding Thermal 2	None
XP Temp Code	T3C

Nameplate

NP1426XPSL				
NO.		CC		
SER.				
SPEC.	34-0000-0422			
CAT.NO.	CXM05142-57			
HP	1	T. CODE	T3C	
VOLTS	230/400			
AMPS	3.45/2			
RPM	1425			
HZ	50	PH	3	CL F
SER.F.	1.15	DES	B	CODE K
RATING	40C AMB-CONT			
FRAME	56C	NEMA-NOM-EFF	74	
USABLE AT 208V		PF	76	
BLANK	NEMA MG-1 PART 5, IP54			

AC Induction Motor Performance Data

Record # 35186

Typical performance - not guaranteed values

Winding: 34WGX455-R008		Type: 3432M		Enclosure: XPFC	
Nameplate Data			400 V, 50 Hz: High Voltage Connection		
Rated Output (HP)	1	Full Load Torque	3.7 LB-FT		
Volts	230/400	Start Configuration	direct on line		
Full Load Amps	3.45/2	Breakdown Torque	12.5 LB-FT		
R.P.M.	1425	Pull-up Torque	9.8 LB-FT		
Hz	50 Phase	3	Locked-rotor Torque	11.5 LB-FT	
NEMA Design Code	B KVA Code	K	Starting Current	12.1 A	
Service Factor (S.F.)		1	No-load Current	1.2 A	
NEMA Nom. Eff.	74 Power Factor	76	Line-line Res. @ 25°C	12.6 Ω	
Rating - Duty	40C AMB-CONT		Temp. Rise @ Rated Load	76°C	
			Locked-rotor Power Factor	59	
			Rotor inertia	0.0762 LB-FT ²	

Load Characteristics 400 V, 50 Hz, 1 HP

% of Rated Load	25	50	75	100	125	150
Power Factor	30	53	63	72	79	86
Efficiency	66.6	75.4	76.6	75.4	72.9	69.6
Speed	1480	1462	1443	1422	1398	1370
Line amperes	1.4	1.4	1.7	2	2.3	2.6

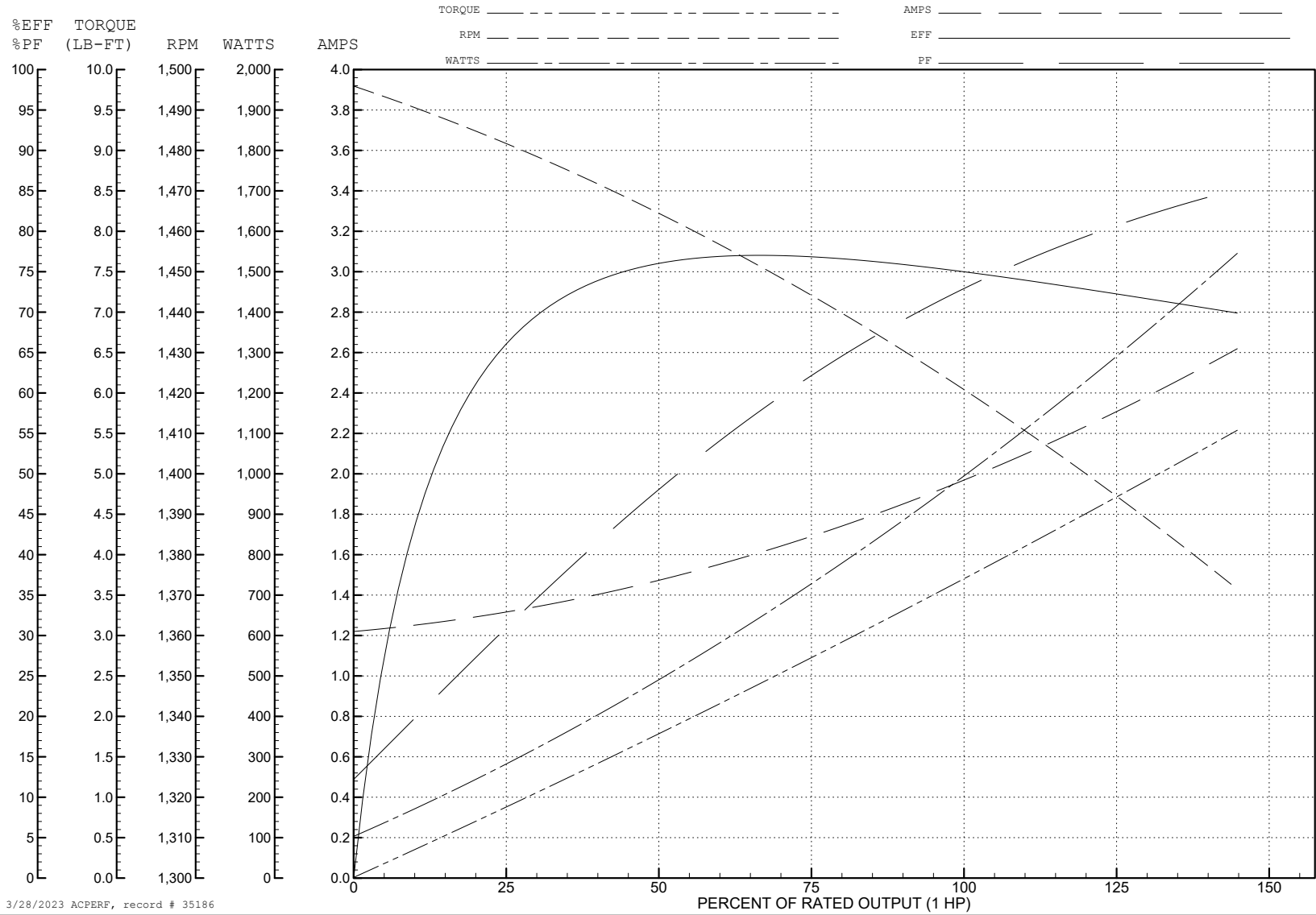
ABB Motors and Mechanical Inc.

WINDING # 34WX455

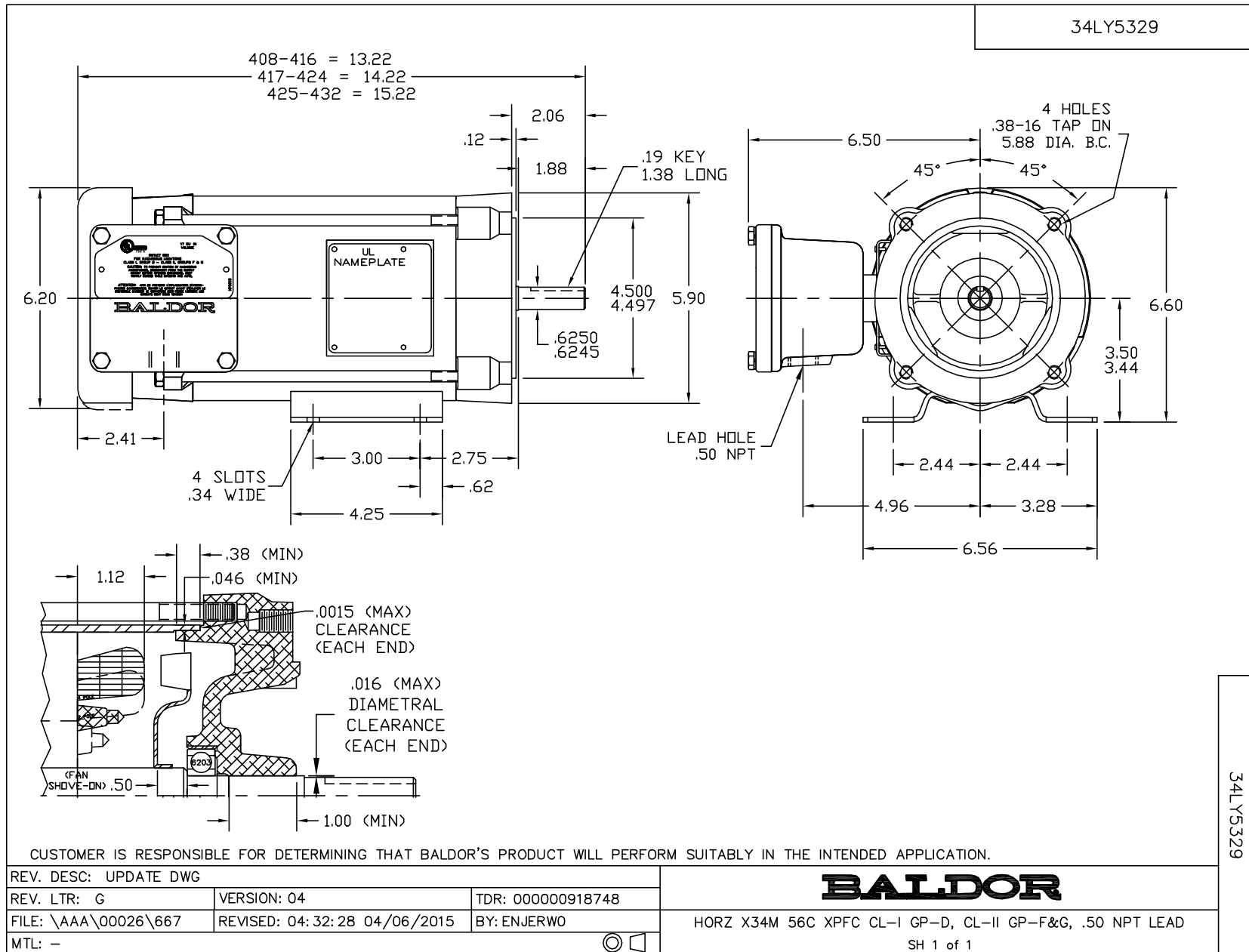
1 HP 3 PH 50 HZ 1425 RPM 400 V 3432M

Typical performance - not guaranteed values.

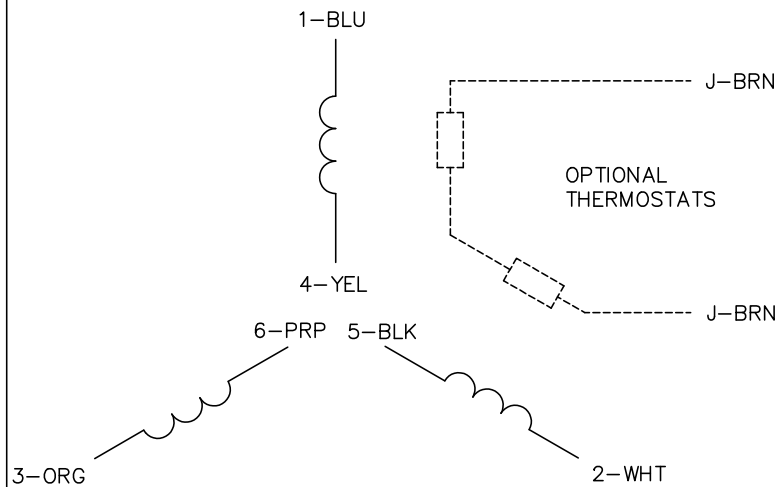
TORQUES (LB-FT): PO=12.5 PU=9.8 LR=11.5 LRA=12.1



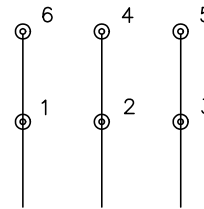
3/28/2023 ACPERF, record # 35186



CD0022

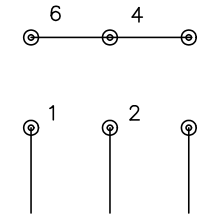


LOW VOLTAGE
(1D)



LINE

HIGH VOLTAGE
(1Y)



LINE

NOTES:

1. INTERCHANGE ANY TWO LINE LEADS TO REVERSE ROTATION.
2. OPTIONAL THERMOSTATS ARE PROVIDED WHEN SPECIFIED.
3. ACTUAL NUMBER OF INTERNAL PARALLEL CIRCUITS MAY BE A MULTIPLE OF THOSE SHOWN ABOVE.
4. LEAD COLORS ARE OPTIONAL. LEADS MUST ALWAYS BE NUMBERED AS SHOWN.

REV. DESC: REVISE TO SHOW OPTIONAL COLORS			
REV. LTR: F	BY: JLP	REVISED: 01/21/99 3:54	TDR: 0171435
CD0022		FILE: AAA00005144	MDL: -
		MTL: -	

BALDOR ELECTRIC Co.

3PH, DV, 6 LEADS, DELTA/WYE CONNECTION

CD0022