



Customer information packet

CWDM3543-H

.75HP, 1180RPM, 3PH, 60HZ, 56HC, 3524M, TENV, F

Class - None

Division - Not Applicable

Specifications

Enclosure	TENV
Frame	56HC
Frame Material	Steel
Frequency	60.00 Hz
Haz Area Class and Group	None
Haz Area Division	Not Applicable
Motor Letter Type	Three Phase
Output @ Frequency	.750 HP @ 60 HZ
Phase	3
Synchronous Speed @ Frequency	1200 RPM @ 60 HZ
Voltage @ Frequency	230.0 V @ 60 HZ 460.0 V @ 60 HZ
Agency Approvals	CSA UR
Ambient Temperature	40 °C
Auxillary Box	No Auxillary Box
Auxillary Box Lead Termination	None
Base Indicator	Rigid
Bearing Grease Type	Polyrex EM (-20F +300F)
Blower	None
Current @ Voltage	1.550 A @ 460.0 V 2.900 A @ 208.0 V 3.100 A @ 230.0 V
Design Code	B
Drip Cover	No Drip Cover
Duty Rating	CONT
Efficiency @ 100% Load	81.7 %
Electrically Isolated Bearing	Not Electrically Isolated
Feedback Device	NO FEEDBACK
Front Shaft Indicator	None
Heater Indicator	No Heater
High Voltage Full Load Amps	1.6 a

Part detail

Revision	D
Type	AC
Mech. spec.	35E1081
Base	
Status	PRD/A
Elec. spec.	35WGG031
Layout	35LY-000-259
Eff. date	02-29-2024
CD Diagram	CD0005
Poles	06
Leads	9#18
Proprietary	False
Created date	02-23-2023

Insulation Class	F
Inverter Code	Inverter Ready
KVA Code	M
Lifting Lugs	No Lifting Lugs
Locked Bearing Indicator	Locked Bearing
Motor Lead Quantity/Wire Size	9 @ 18 AWG
Motor Lead Termination	Flying Leads
Motor Standards	NEMA
Motor Type	3524M
Mounting Arrangement	F1
Number of Poles	6
Overall Length	11.91 IN
Power Factor	55
Product Family	Wash Down
Pulley End Bearing Type	Sealed Bearing
Pulley Face Code	C-Face
Pulley Shaft Indicator	Standard
Rodent Screen	None
Service Factor	1.15
Shaft Diameter	0.625 IN
Shaft Ground Indicator	No Shaft Grounding
Shaft Rotation	Reversible
Speed	1180 rpm
Speed Code	Single Speed
Starting Method	Direct on line
Thermal Device - Bearing	None
Thermal Device - Winding	None
Vibration Sensor Indicator	No Vibration Sensor
Winding Thermal 1	None
Winding Thermal 2	None

Nameplate

NP1496L									
CAT.NO.	CWDM3543-H								
SPEC.	35E1081G031								
HP	.75								
VOLTS	230/460								
AMP	3.1/1.55								
RPM	1180								
FRAME	56HC		HZ	60		PH	3		
SER.F.	1.15	CODE	M	DES	B	CLASS	F		
NEMA-NOM-EFF	81.7	PF	55						
RATING	40C AMB-CONT								
CC									
DE	6205		ODE						
ENCL	TENV	SN							
	SFA 3.3/1.65								

AC Induction Motor Performance Data

Record # 38079

Typical performance - not guaranteed values

Winding: 35WGN470-R001		Type: 3530M	Enclosure: TENV		
Nameplate Data			460 V, 60 Hz: High Voltage Connection		
Rated Output (HP)	.75	Full Load Torque	3.39 LB-FT		
Volts	208-230/460	Start Configuration	direct on line		
Full Load Amps	2.8/1.4	Breakdown Torque	13 LB-FT		
R.P.M.	1160	Pull-up Torque	8.94 LB-FT		
Hz	60 Phase	3	Locked-rotor Torque	10.5 LB-FT	
NEMA Design Code	B	KVA Code	L	Starting Current	9.22 A
Service Factor (S.F.)	1.15	No-load Current	0.985 A		
NEMA Nom. Eff.	80	Power Factor	62	Line-line Res. @ 25°C	17.427 Ω
Rating - Duty	40C	AMB-CONT	Temp. Rise @ Rated Load	86°C	
S.F. Amps			Temp. Rise @ S.F. Load	102°C	

Load Characteristics 460 V, 60 Hz, 0.75 HP

% of Rated Load	25	50	75	100	125	150	S.F.
Power Factor	26	41	53	62	68	72	66
Efficiency	65.9	77.4	81.1	82.1	81.8	80.7	81.9
Speed	1192.6	1184	1174.1	1164	1152.3	1139.7	1157
Line amperes	1.02	1.1	1.23	1.38	1.57	1.8	1.49

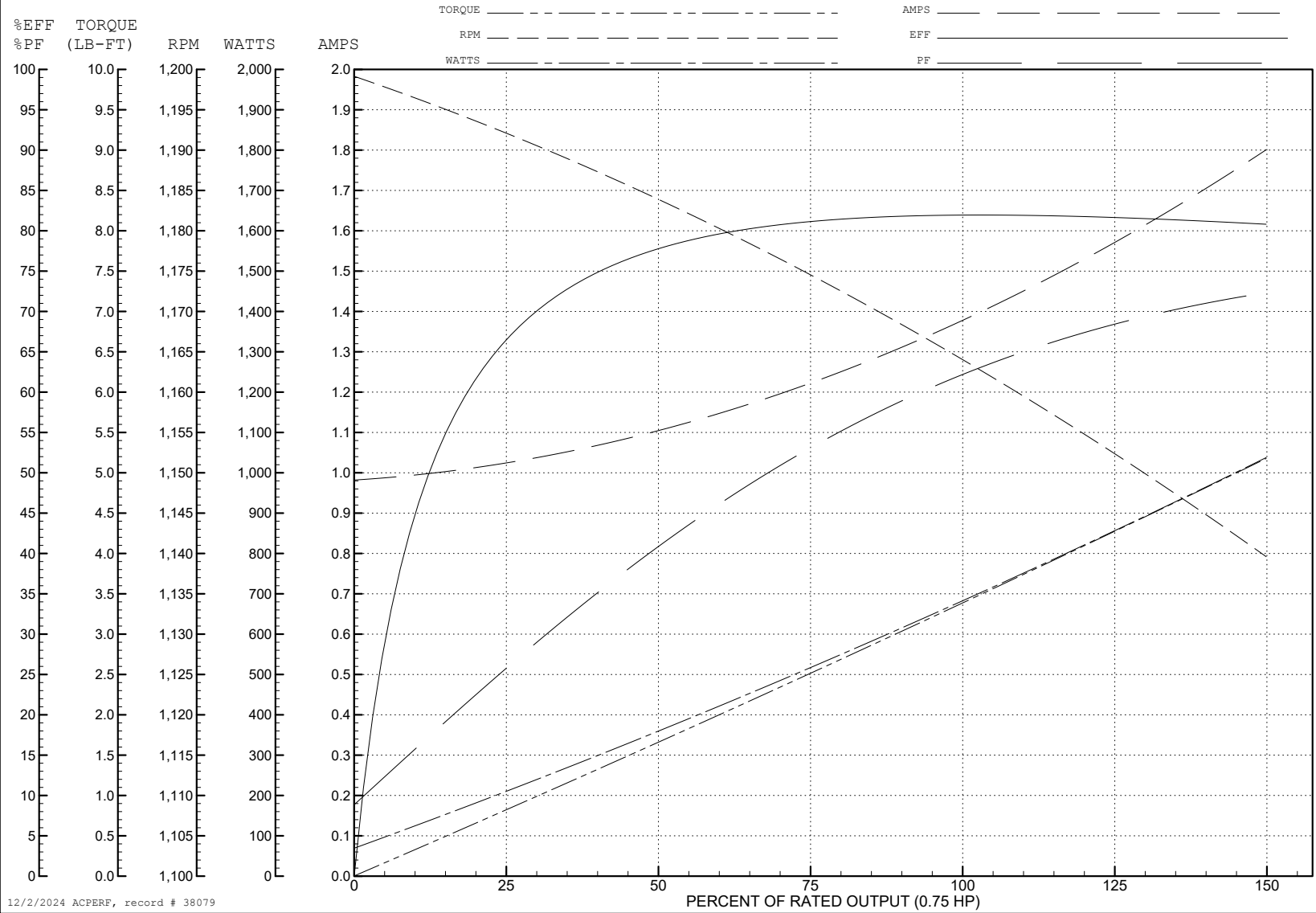
ABB Motors and Mechanical Inc.

WINDING # 35WGN470

0.75 HP 3 PH 60 HZ 1160 RPM 460 V 3530M

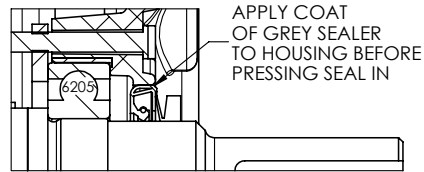
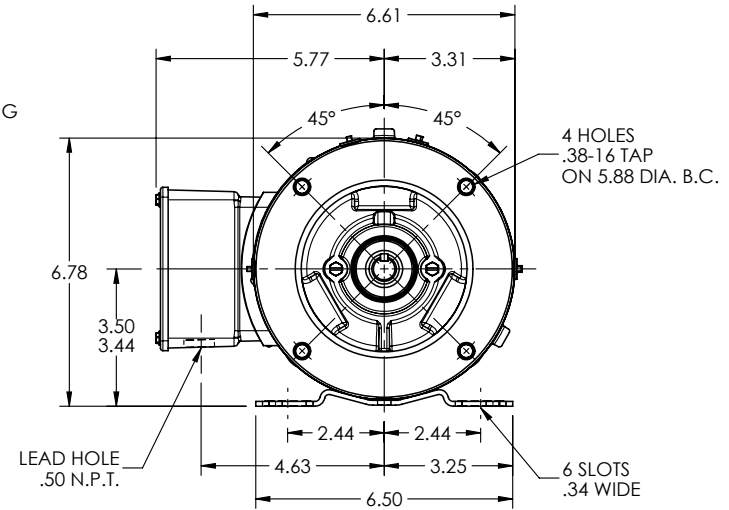
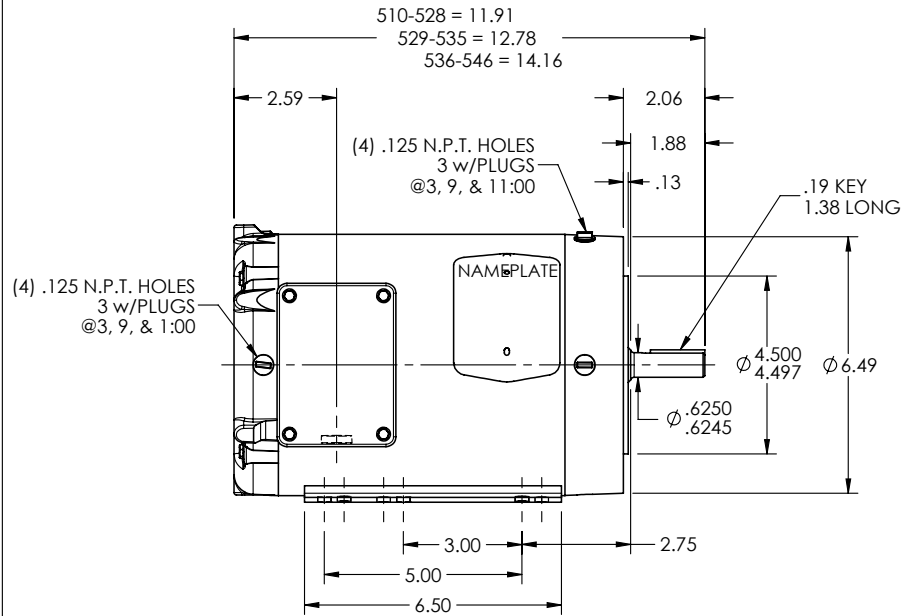
Typical performance - not guaranteed values.

TORQUES (LB-FT): PO=13 PU=8.94 LR=10.5 LRA=9.22



12/2/2024 ACPERF, record # 38079

35LY-000-259



PULLEY END DETAIL

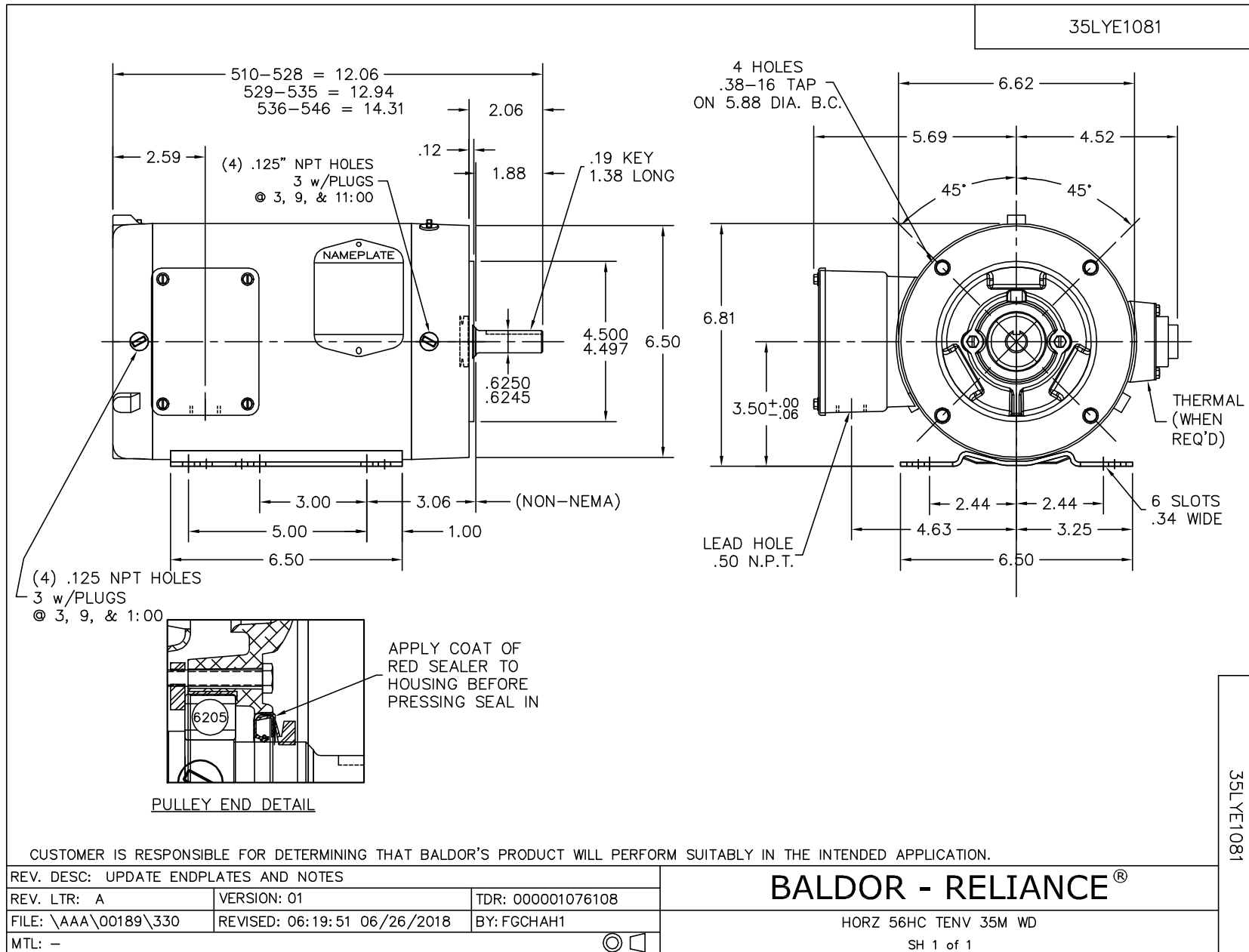
CUSTOMER IS RESPONSIBLE FOR DETERMINING THAT THE PRODUCT WILL PERFORM SUITABLY IN THE INTENDED APPLICATION

REV. DESC: UPDATE MATE ERRORS IN 3D MODEL			
REV: A	VERSION: 01	REVISED: 08:47:50 04/21/2022	TDR: 000001188385
6S7-000-ATCE		MODEL NO. 35LY-000-259	REF: -
		BY: USBUFRA	

BALDOR - RELIANCE®

STD HORZ 56HC TENV 35M WD

35LY-000-259



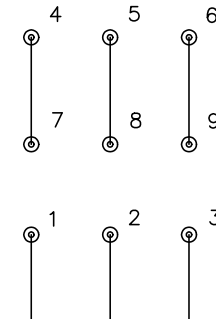
CD0005



LOW VOLTAGE
(2Y)



HIGH VOLTAGE
(1Y)



NOTES:

1. INTERCHANGE ANY TWO LINE LEADS TO REVERSE ROTATION.
2. OPTIONAL THERMOSTATS ARE PROVIDED WHEN SPECIFIED.
3. ACTUAL NUMBER OF INTERNAL PARALLEL CIRCUITS MAY BE A MULTIPLE OF THOSE SHOWN ABOVE.
4. LEAD COLORS ARE OPTIONAL. LEADS MUST ALWAYS BE NUMBERED AS SHOWN.

CD0005

REV. DESC: REVISE TO SHOW OPTIONAL COLORS			
REV. LTR: E	BY: JLP	REVISED: 01/19/99 10:15	TDR: 0171435
S00000		FILE: AAA00005140	MDL: -
		MTL: -	

BALDOR ELECTRIC Co.

3PH, DV, 9 LEADS