

**BALDOR • RELIANCE**

---

# Customer information packet

## CWDM3541-H

0.75HP, 3450RPM, 3PH, 60HZ, 56HC, TENV, F1

Class - None

Division - Not Applicable

## Specifications

Enclosure	TENV
Frame	56HC
Frame Material	Steel
Frequency	60.00 Hz
Haz Area Class and Group	None
Haz Area Division	Not Applicable
Motor Letter Type	Three Phase
Output @ Frequency	.750 HP @ 60 HZ
Phase	3
Synchronous Speed @ Frequency	3600 RPM @ 60 HZ
Voltage @ Frequency	230.0 V @ 60 HZ 460.0 V @ 60 HZ
Agency Approvals	CSA UR
Ambient Temperature	40 °C
Auxillary Box	No Auxillary Box
Auxillary Box Lead Termination	None
Base Indicator	Rigid
Bearing Grease Type	Polyrex EM (-20F +300F)
Blower	None
Current @ Voltage	1.100 A @ 460.0 V 2.200 A @ 230.0 V
Design Code	B
Drip Cover	No Drip Cover
Duty Rating	CONT
Efficiency @ 100% Load	80.0 %
Electrically Isolated Bearing	Not Electrically Isolated
Feedback Device	NO FEEDBACK
Heater Indicator	No Heater
High Voltage Full Load Amps	1.1 a
Insulation Class	F
Inverter Code	Not Inverter

## Part detail

Revision	C
Type	AC
Mech. spec.	
Base	
Status	PRD/A
Elec. spec.	35WGT097
Layout	35LY-000-259
Eff. date	09-11-2023
CD Diagram	CD0005
Poles	02
Leads	9#18
Proprietary	False
Created date	06-26-2019

IP Rating	IP55
KVA Code	N
Lifting Lugs	No Lifting Lugs
Locked Bearing Indicator	Locked Bearing
Motor Lead Termination	Flying Leads
Motor Standards	NEMA
Motor Type	3518M
Mounting Arrangement	F1
Number of Poles	2
Overall Length	12.06 IN
Power Factor	80
Product Family	Wash Down
Pulley Face Code	C-Face
Rodent Screen	None
Service Factor	1.25
Shaft Diameter	0.625 IN
Shaft Ground Indicator	No Shaft Grounding
Shaft Rotation	Reversible
Speed	3450 rpm
Speed Code	Single Speed
Starting Method	Direct on line
Thermal Device - Bearing	None
Thermal Device - Winding	None
Vibration Sensor Indicator	No Vibration Sensor
Winding Thermal 1	None
Winding Thermal 2	None

**Nameplate**

<b>NP1496L</b>									
<b>CAT.NO.</b>	CWDM3541-H								
<b>SPEC.</b>	35-0000-0226								
<b>HP</b>	.75								
<b>VOLTS</b>	230/460								
<b>AMP</b>	2.2/1.1								
<b>RPM</b>	3450								
<b>FRAME</b>	56HC		<b>HZ</b>	60		<b>PH</b>	3		
<b>SER.F.</b>	1.25	<b>CODE</b>	N	<b>DES</b>	B	<b>CLASS</b>	F		
<b>NEMA-NOM-EFF</b>	80	<b>PF</b>	80						
<b>RATING</b>	40C AMB-CONT								
<b>CC</b>									
<b>DE</b>	6205		<b>ODE</b>	6203					
<b>ENCL</b>	TENV	<b>SN</b>							
	SFA 2.6/1.3								

**AC Induction Motor Performance Data**

Record # 9255

Typical performance - not guaranteed values

<b>Winding:</b> 35WGT097-R001		<b>Type:</b> 3518M		<b>Enclosure:</b> TENV	
<b>Nameplate Data</b>			<b>460 V, 60 Hz: High Voltage Connection</b>		
<b>Rated Output (HP)</b>	.75	<b>Full Load Torque</b>	1.1 LB-FT		
<b>Volts</b>	230/460	<b>Start Configuration</b>	direct on line		
<b>Full Load Amps</b>	2.2/1.1	<b>Breakdown Torque</b>	7.6 LB-FT		
<b>R.P.M.</b>	3450	<b>Pull-up Torque</b>	4.1 LB-FT		
<b>Hz</b>	60 <b>Phase</b>	3	<b>Locked-rotor Torque</b>	5.6 LB-FT	
<b>NEMA Design Code</b>	B <b>KVA Code</b>	N	<b>Starting Current</b>	11.7 A	
<b>Service Factor (S.F.)</b>	1.25	<b>No-load Current</b>	0.61 A		
<b>NEMA Nom. Eff.</b>	80 <b>Power Factor</b>	80	<b>Line-line Res. @ 25°C</b>	14.8 Ω	
<b>Rating - Duty</b>	40C AMB-CONT	<b>Temp. Rise @ Rated Load</b>	65°C		
<b>S.F. Amps</b>	2.6/1.3	<b>Temp. Rise @ S.F. Load</b>	77°C		

**Load Characteristics 460 V, 60 Hz, 0.75 HP**

<b>% of Rated Load</b>	<b>25</b>	<b>50</b>	<b>75</b>	<b>100</b>	<b>125</b>	<b>150</b>	<b>S.F.</b>
<b>Power Factor</b>	45	63	73	80	81	80	0
<b>Efficiency</b>	62.6	74.4	78.7	80.4	80.7	80.1	0
<b>Speed</b>	3571	3536	3509	3477	3444	3406	0
<b>Line amperes</b>	0.66	0.76	0.91	1.09	1.29	1.52	1.3

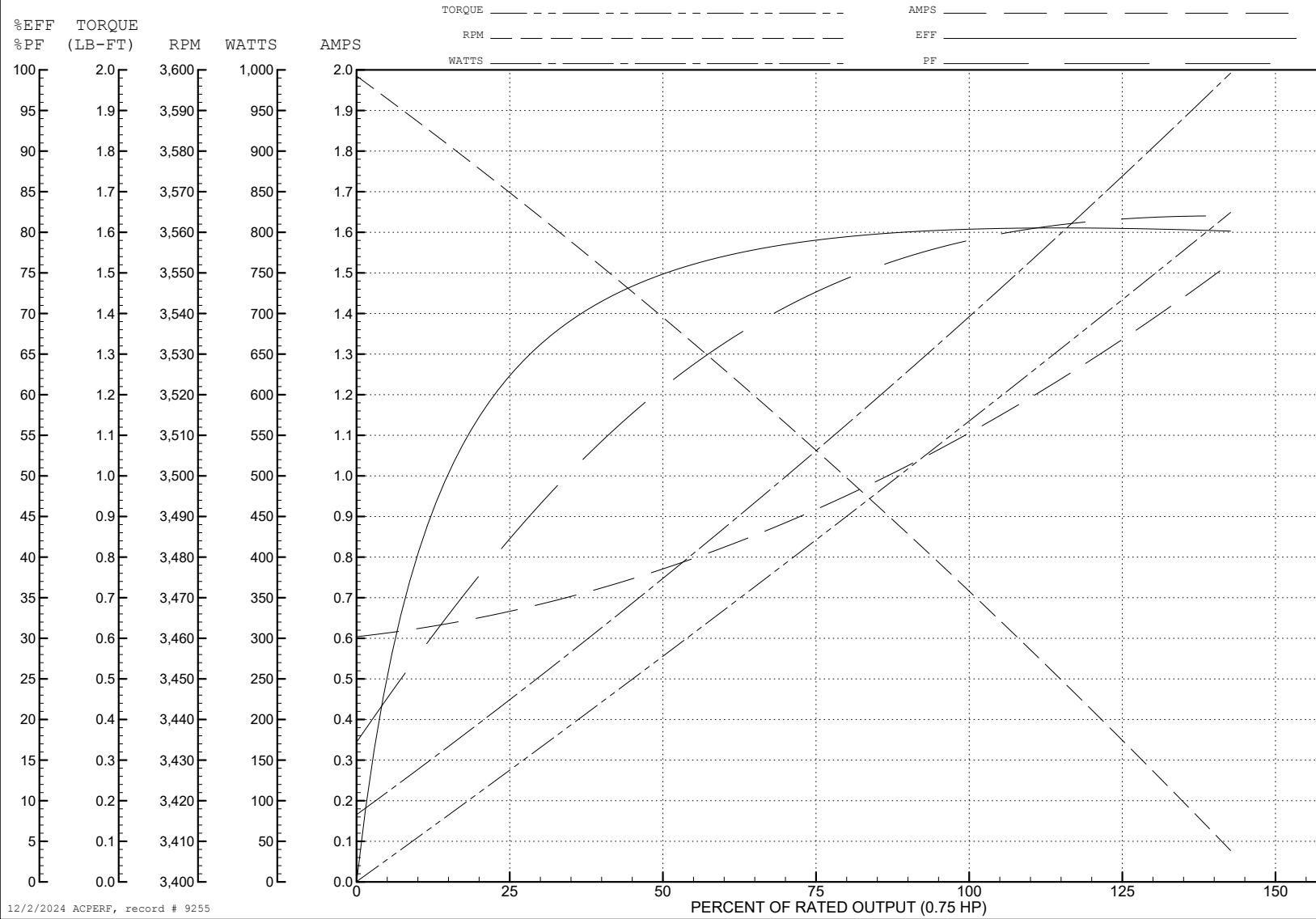
ABB Motors and Mechanical Inc.

WINDING # 35WGT097

0.75 HP 3 PH 60 HZ 3450 RPM 460 V 3518M

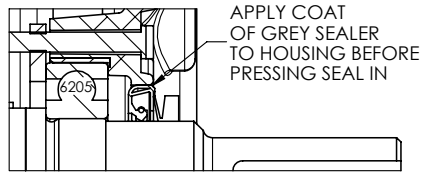
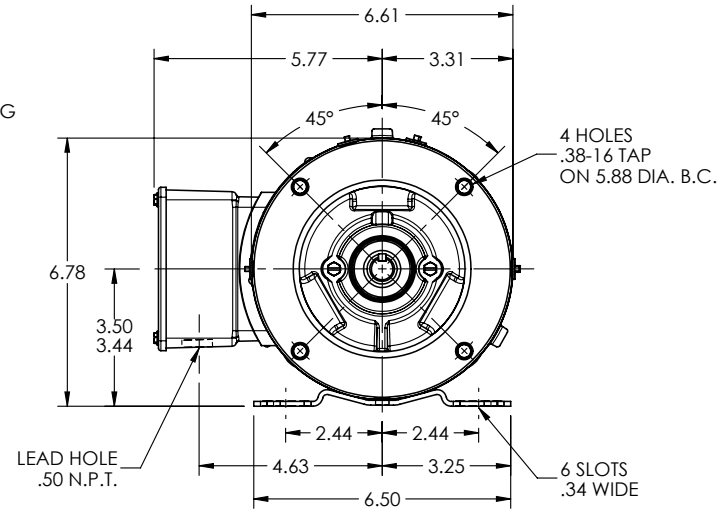
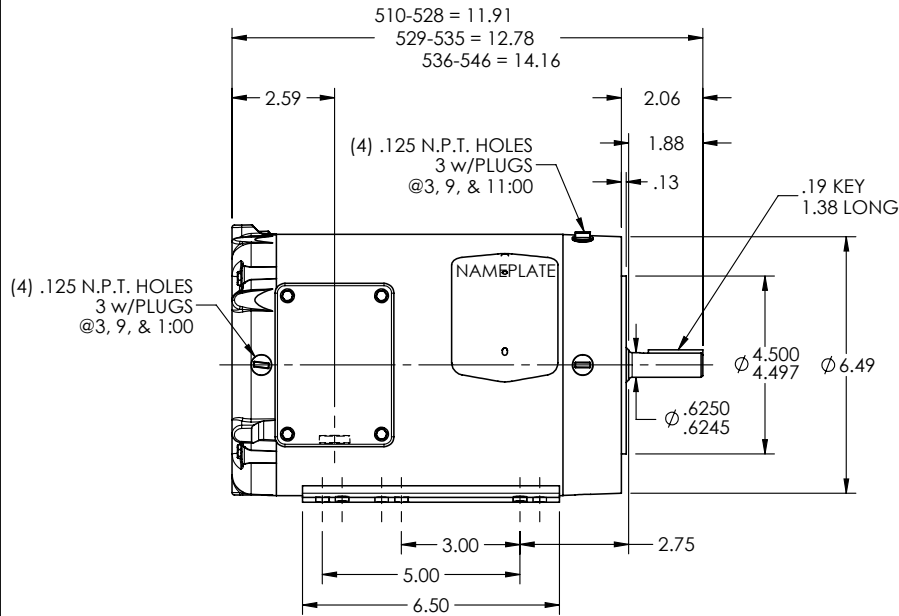
Typical performance - not guaranteed values.

TORQUES (LB-FT): PO=7.6 PU=4.1 LR=5.6 LRA=11.7



12/2/2024 ACPERF, record # 9255

35LY-000-259



PULLEY END DETAIL

CUSTOMER IS RESPONSIBLE FOR DETERMINING THAT THE PRODUCT WILL PERFORM SUITABLY IN THE INTENDED APPLICATION

REV. DESC: UPDATE MATE ERRORS IN 3D MODEL			
REV: A	VERSION: 01	REVISED: 08:47:50 04/21/2022	TDR: 000001188385
6S7-000-ΛTCE		MODEL NO. 35LY-000-259	REF: -
		BY: USBUFRA	

**BALDOR - RELIANCE®**

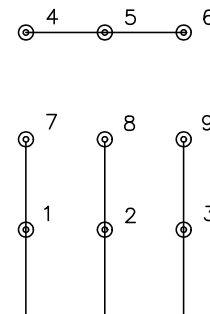
STD HORZ 56HC TENV 35M WD

35LY-000-259

CD0005



LOW VOLTAGE  
(2Y)



LINE

HIGH VOLTAGE  
(1Y)



LINE

NOTES:

1. INTERCHANGE ANY TWO LINE LEADS TO REVERSE ROTATION.
2. OPTIONAL THERMOSTATS ARE PROVIDED WHEN SPECIFIED.
3. ACTUAL NUMBER OF INTERNAL PARALLEL CIRCUITS MAY BE A MULTIPLE OF THOSE SHOWN ABOVE.
4. LEAD COLORS ARE OPTIONAL. LEADS MUST ALWAYS BE NUMBERED AS SHOWN.

CD0005

REV. DESC: REVISE TO SHOW OPTIONAL COLORS			
REV. LTR: E	BY: JLP	REVISED: 01/19/99 10:15	TDR: 0171435
S00000		FILE: AAA00005140	MDL: -
		MTL: -	

**BALDOR ELECTRIC Co.**

3PH, DV, 9 LEADS