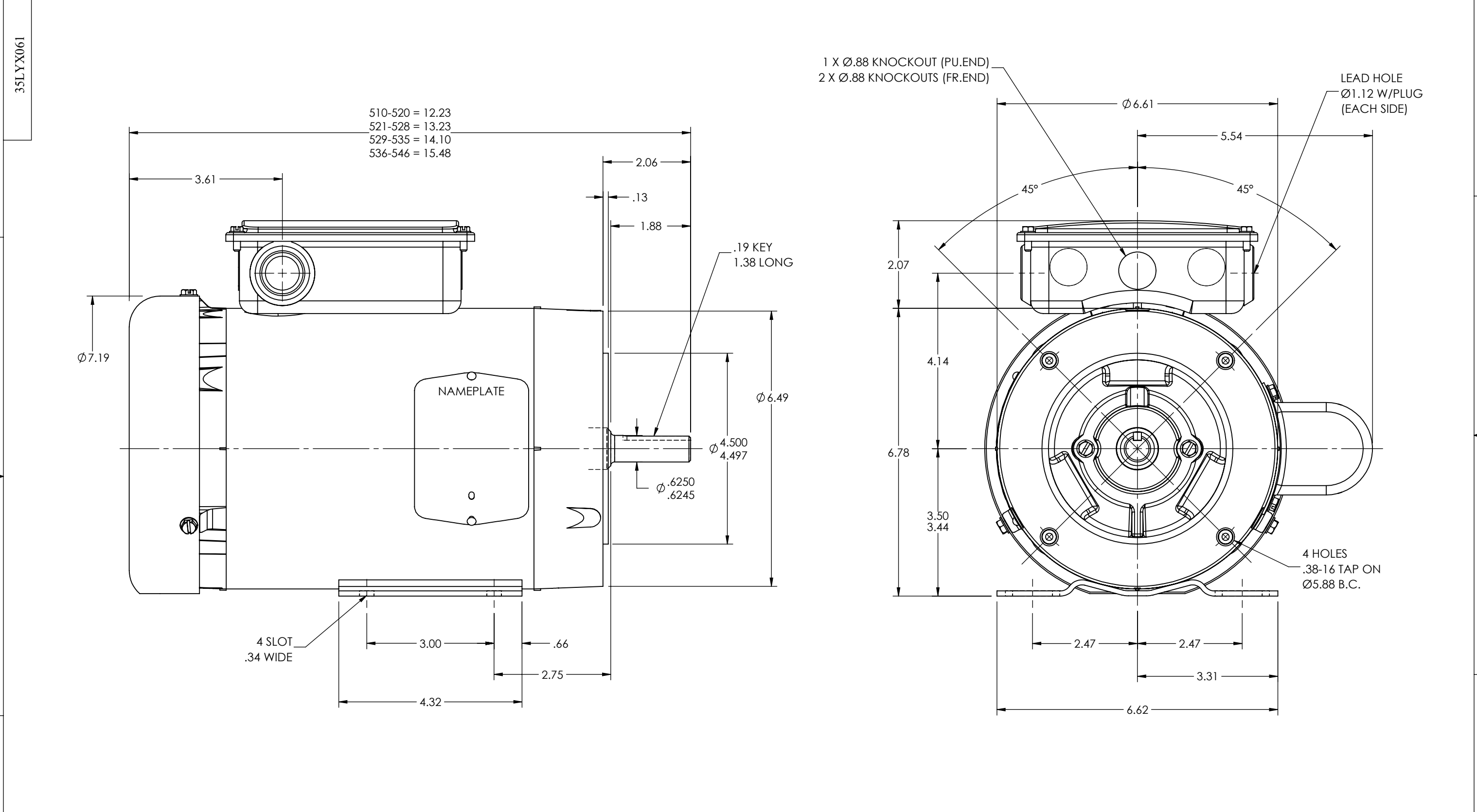


8 7 6 5 4 3 2 1



CUSTOMER IS RESPONSIBLE FOR DETERMINING THAT THE PRODUCT WILL PERFORM SUITABLY IN THE INTENDED APPLICATION

REV. DESC: ADD SECOND PLUG (WD4101A13) TO BOX			
REV: E	VERSION: 05	REVISED: 02:49:31 11/30/2020	TDR: 000001154873
MODEL NO. 35LYX061			REF: -
BY: USJOCUR			B

BALDOR - RELIANCE®

HOR 56C TEFC 35L F3 CAP @3, W/35CB4007 @ 12
SH 1 of 1

8 7 6 5 4 3 2 1

35LYX061