

**BALDOR • RELIANCE**

---

# Customer information packet

## CSSWDM3538-5

0.5HP, 1770RPM, 3PH, 60HZ, 56C, 3512M, TENV, F1

Class - None

Division - Not Applicable

## Specifications

Enclosure	TENV
Frame	56C
Frame Material	Stainless Steel
Frequency	60.00 Hz
Haz Area Class and Group	None
Haz Area Division	Not Applicable
Motor Letter Type	Three Phase
Output @ Frequency	.500 HP @ 60 HZ
Phase	3
Synchronous Speed @ Frequency	1800 RPM @ 60 HZ
Voltage @ Frequency	575.0 V @ 60 HZ
Agency Approvals	UR CSA
Ambient Temperature	40 °C
Auxillary Box	No Auxillary Box
Auxillary Box Lead Termination	None
Base Indicator	Rigid
Bearing Grease Type	Polyrex EM (-20F +300F)
Blower	None
Current @ Voltage	.770 A @ 575.0 V
Design Code	B
Drip Cover	No Drip Cover
Duty Rating	CONT
Efficiency @ 100% Load	80.0 %
Electrically Isolated Bearing	Not Electrically Isolated
Feedback Device	NO FEEDBACK
Front Shaft Indicator	None
Heater Indicator	No Heater
High Voltage Full Load Amps	0.8 a
Insulation Class	F
Inverter Code	Not Inverter
KVA Code	M

## Part detail

Revision	C
Type	AC
Mech. spec.	35V814
Base	
Status	PRD/A
Elec. spec.	35WGG200
Layout	35LYV814
Eff. date	02-19-2024
CD Diagram	CD0006
Poles	04
Leads	3#18
Proprietary	False
Created date	03-11-2022

<b>Lifting Lugs</b>	No Lifting Lugs
<b>Locked Bearing Indicator</b>	Locked Bearing
<b>Motor Finish</b>	UNPAINTED
<b>Motor Lead Quantity/Wire Size</b>	3 @ 18 AWG
<b>Motor Lead Termination</b>	Flying Leads
<b>Motor Standards</b>	NEMA
<b>Motor Type</b>	3512M
<b>Mounting Arrangement</b>	F1
<b>Number of Poles</b>	4
<b>Overall Length</b>	11.09 IN
<b>Power Factor</b>	62
<b>Product Family</b>	Wash Down All Stainless Steel
<b>Pulley End Bearing Type</b>	Sealed Bearing
<b>Pulley Face Code</b>	C-Face
<b>Pulley Shaft Indicator</b>	Standard
<b>Rodent Screen</b>	None
<b>Service Factor</b>	1.25
<b>Shaft Diameter</b>	0.625 IN
<b>Shaft Ground Indicator</b>	No Shaft Grounding
<b>Shaft Rotation</b>	Reversible
<b>Shaft Slinger Indicator</b>	No Slinger
<b>Speed</b>	1770 rpm
<b>Speed Code</b>	Single Speed
<b>Starting Method</b>	Direct on line
<b>Thermal Device - Bearing</b>	None
<b>Thermal Device - Winding</b>	None
<b>Vibration Sensor Indicator</b>	No Vibration Sensor
<b>Winding Thermal 1</b>	None
<b>Winding Thermal 2</b>	None

**Nameplate****NP1951A05**

<b>CAT.NO.</b>	CSSWDM3538-5						
<b>SPEC.</b>	35V814G200G1						
<b>HP</b>	0.5						
<b>VOLTS</b>	575						
<b>AMP</b>	0.77						
<b>RPM</b>	1770						
<b>FRAME</b>	56C		<b>HZ</b>	60		<b>PH</b>	3
<b>SER.F.</b>	1.25	<b>CODE</b>	M	<b>DES</b>	B	<b>CLASS</b>	F
<b>NEMA-NOM-EFF</b>	80	<b>PF</b>	62				
<b>RATING</b>	40C AMB-CONT						
<b>CC</b>							
<b>DE</b>	6205	<b>ODE</b>	6203				
<b>ENCL</b>	TENV	<b>SN</b>					
	SFA .8						
	20:1CT 20:1VT						

**AC Induction Motor Performance Data**

Record # 87485

Typical performance - not guaranteed values

Winding: 35WGG200-R004		Type: 3512M	Enclosure: TENV			
<b>Nameplate Data</b>			<b>575 V, 60 Hz: Single Voltage Motor</b>			
Rated Output (HP)	.5	Full Load Torque	1.49 LB-FT			
Volts	575	Start Configuration	direct on line			
Full Load Amps	.77	Breakdown Torque	6.26 LB-FT			
R.P.M.	1770	Pull-up Torque	3.25 LB-FT			
Hz	60	Phase	3	Locked-rotor Torque	4.02 LB-FT	
NEMA Design Code	B	KVA Code	M	Starting Current	5.36 A	
Service Factor (S.F.)	1.25	No-load Current	0.636 A			
NEMA Nom. Eff.	80	Power Factor	62	Line-line Res. @ 25°C	68 Ω	
Rating - Duty	40C	AMB-CONT	Temp. Rise @ Rated Load			29°C
S.F. Amps	.87	Temp. Rise @ S.F. Load			34°C	
			Locked-rotor Power Factor	71		
			Rotor inertia	0.0866 lb-ft <sup>2</sup>		

**Load Characteristics 575 V, 60 Hz, 0.5 HP**

% of Rated Load	25	50	75	100	125	150	S.F.
Power Factor	27	41	52	62	69	75	57
Efficiency	56.2	70.6	76.3	78.9	79.9	79.8	77.6
Speed	1792	1786	1779	1771	1763	1755	1774
Line amperes	0.638	0.664	0.713	0.774	0.85	0.946	0.704

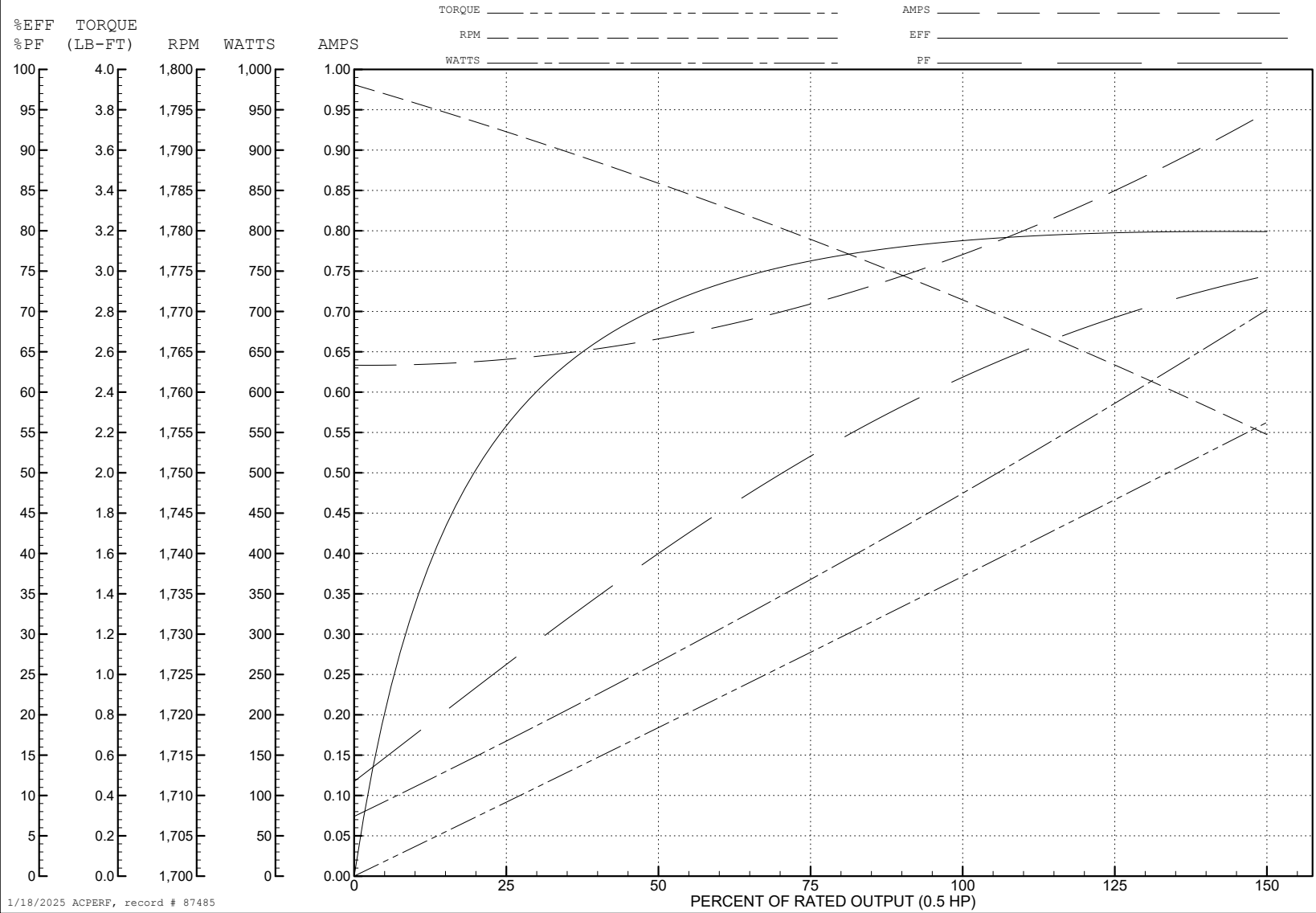
ABB Motors and Mechanical Inc.

WINDING # 35WGG200

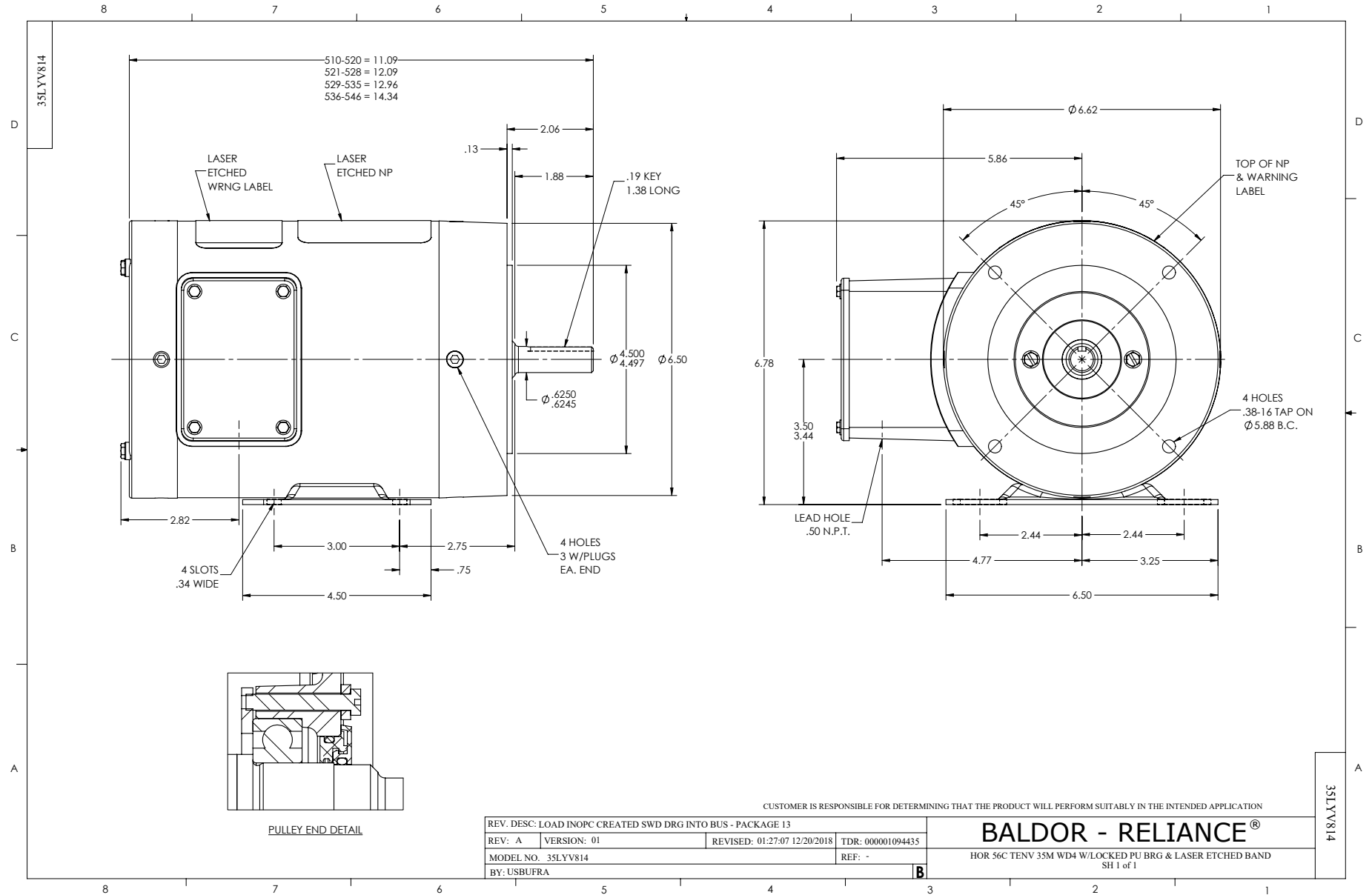
0.5 HP 3 PH 60 HZ 1770 RPM 575 V 3512M

Typical performance - not guaranteed values.

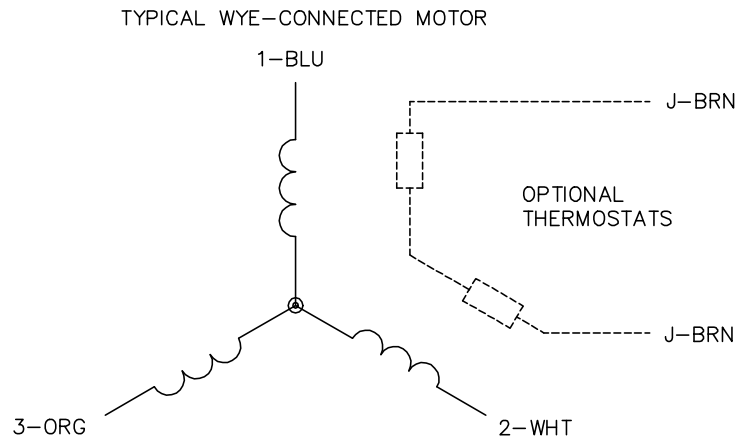
TORQUES (LB-FT): PO=6.26 PU=3.25 LR=4.02 LRA=5.36



1/18/2025 ACPERF, record # 87485



CD0006



NOTES:

1. THREE LEAD MOTOR MAY BE EITHER WYE CONNECTED OR DELTA CONNECTED.
2. INTERCHANGE ANY TWO LINE LEADS TO REVERSE ROTATION.
3. OPTIONAL THERMOSTATS ARE PROVIDED WHEN SPECIFIED.
4. ACTUAL NUMBER OF INTERNAL PARALLEL CIRCUITS MAY VARY.
5. LEAD COLORS ARE OPTIONAL. LEADS MUST BE NUMBERED AS SHOWN.

CD0006

REV. DESC: ADD CLASS CONN00000007		
REV. LTR: E	VERSION: 01	TDR: 000001099922
FILE: \AAA\00005\141	REVISED: 10:24:49 02/19/2019	BY: ENBRIRO
MTL: -	© □	

**BALDOR - RELIANCE®**

3PH, SV, 3 LEADS, WYE OR DELTA CONNECTED

SH 1 of 1